

# Macrame Hanging Shelf

Thank you for your purchase. Please follow the safety instructions below.

# mocka



## WARNING - This is not a Swing

Please DO NOT let children or adults sit or stand on the shelf. The Macrame Hanging Shelf is for decorative uses only.

Weight Limit - 10kg

### Installation

It is imperative that you observe all relevant instructions for installation, use, and safety.

Do not exceed the maximum weight limit of 10kg.

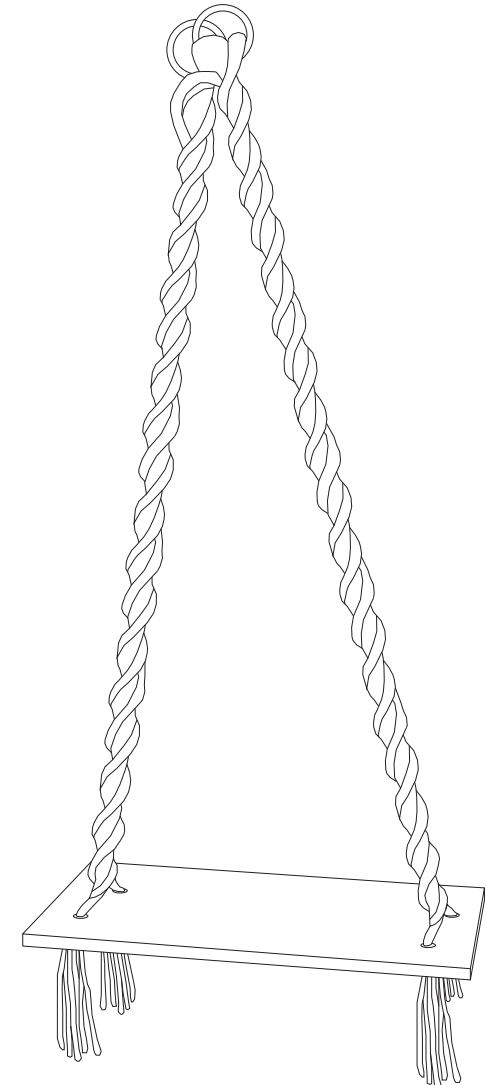
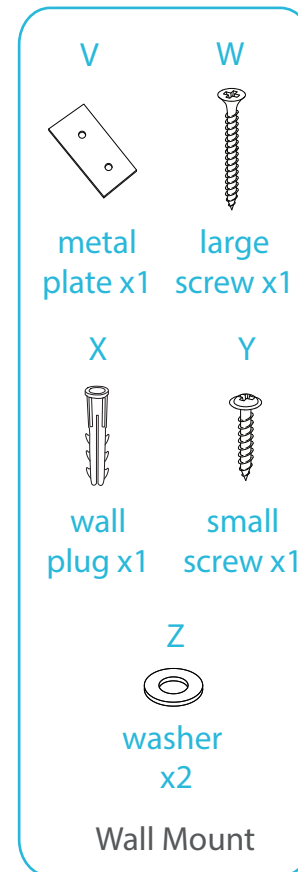
Hardware is not included to attach the shelf to the ceiling, we recommend using a qualified professional to attach this correctly.

Included is a wall attachment to connect the shelf to the wall.

### Care

Exposure to heavy loads, direct sunlight, damp weather conditions, and frequent cleaning will shorten its lifespan.

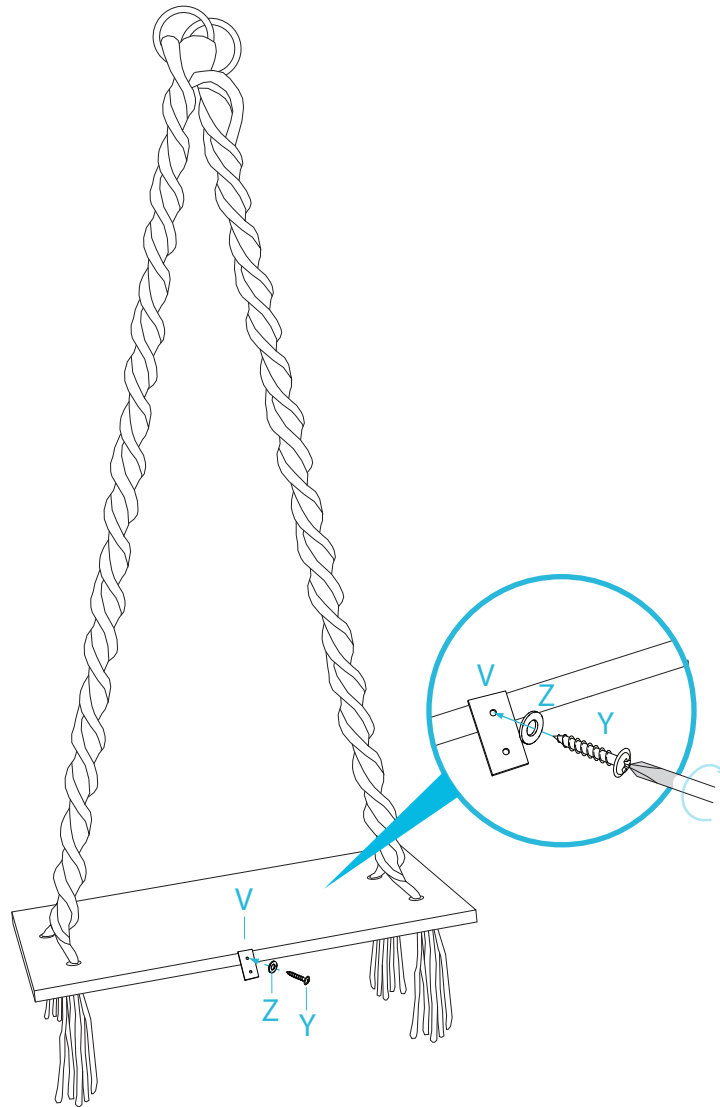
The wood shelf is an untreated timber, leaving cups etc. on the shelf may stain the surface permanently. Avoid the use of any liquids near the shelf.



# Macrame Hanging Shelf

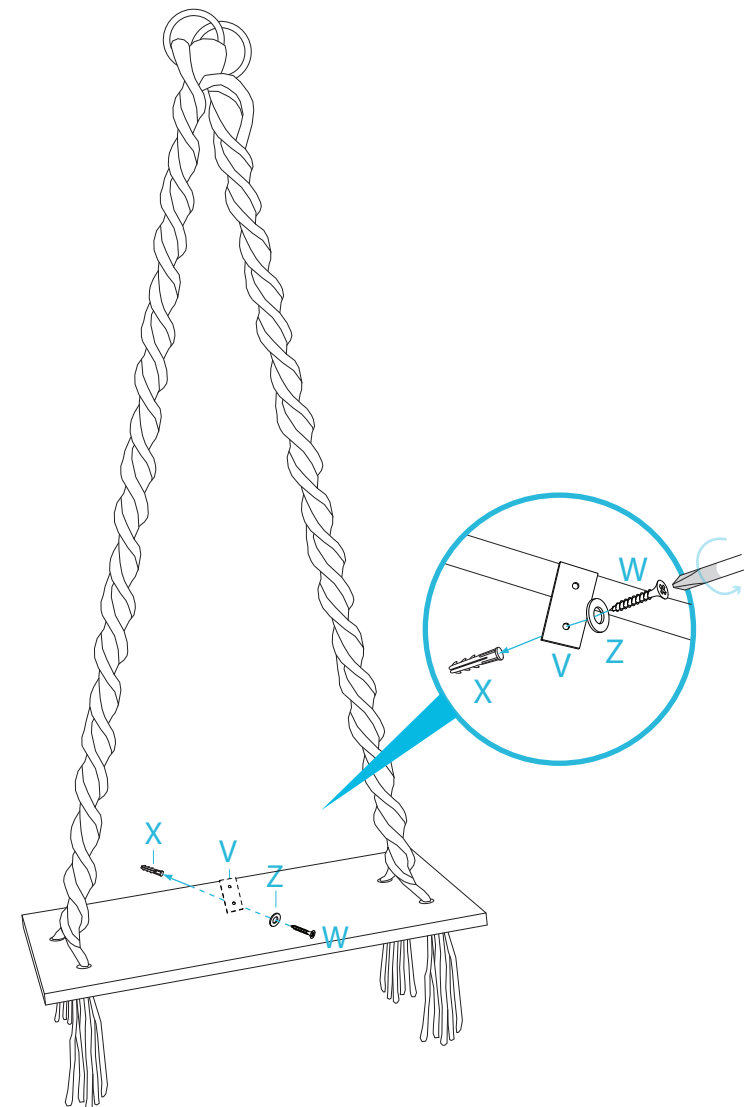
mocka

1



Attach 1x safety strap (V) to the back side of the shelf using 1x small screw (Y) and 1x washer (Z). Tighten with a screwdriver.

2



Use a drill to create a small hole lining up with the top of the wall mount (V). Fasten to wall using 1x wall plug (X), 1x washer (Z) and 1x large screw (W). Ensure the shelf is balanced and steady before use. You're done, enjoy!