








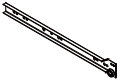










# Maya Entertainment Unit






## Assembly Instructions

Thank you for your purchase.  
Please follow the instructions below for correct assembly.

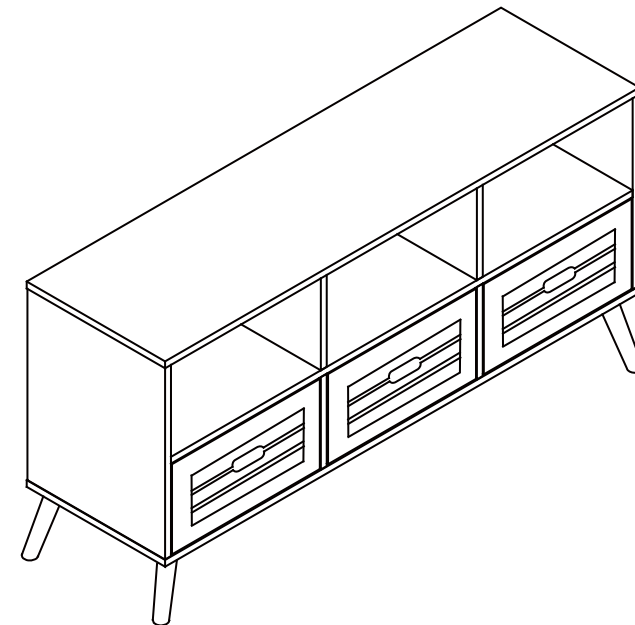
# mocka

<b>A</b>	<b>B</b>	<b>C</b>	<b>D</b>	<b>E</b>	<b>F</b>	<b>G</b>	<b>H</b>	<b>I</b>
								
bolt x28	locking nut x28	dowel x28	long screw x8	screw x20	small screw x30	wedge x8	screw x8	CL runner tracks x3
<b>J</b>	<b>K</b>	<b>L</b>	<b>M</b>	<b>N</b>	<b>O</b>	<b>P</b>	<b>Q</b>	<b>R</b>
								
CR runner tracks x3	DL runners x3	DR runners x3	bracket x4	cover x8	felt pad x4	adjuster x1	screw x12	screw x4

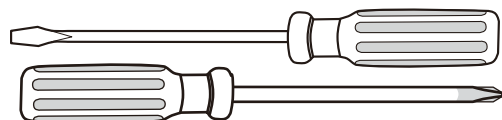
Hardware Supplied

<b>V</b>	<b>W</b>	<b>X</b>	<b>Y</b>	<b>Z</b>
				
safety strap x1	screw x1	wall anchor x1	wall screw x1	washer x2

Wall Strap



**WARNING:** Any furniture that is not anchored to a wall has the potential to tip over in certain circumstances, i.e. if a child attempts to climb up on the furniture or in the event of an earthquake. Accordingly, we recommend that all furniture is anchored to a wall. We supply a free safety wall anchor with all furniture sold and we recommend these are used to prevent your product tipping. The fixing device provided should fit most wall types, but please note that different wall materials may require different fixing devices from those supplied.



Phillips & Flathead screwdrivers required  
For quicker assembly, we recommend the use of a power drill on a low-speed setting.

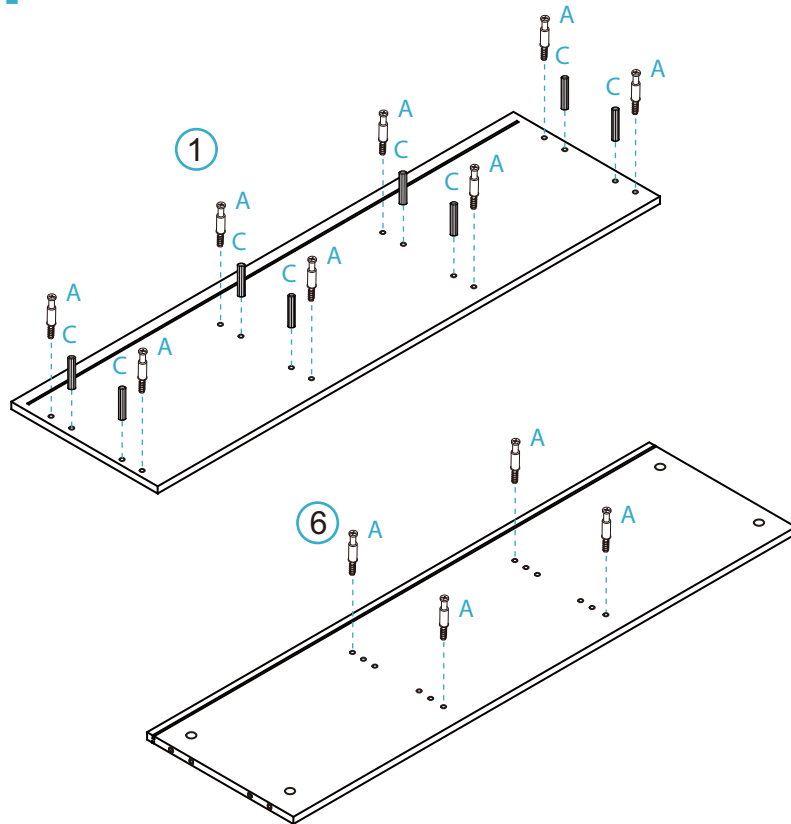
\*We recommend using a Flathead screwdriver to tighten all locking nuts 100% before first use. Please clear any loose wood from the locking nut holes before inserting the nut to ensure it locks 100%.

# Maya Entertainment Unit

## Assembly Instructions

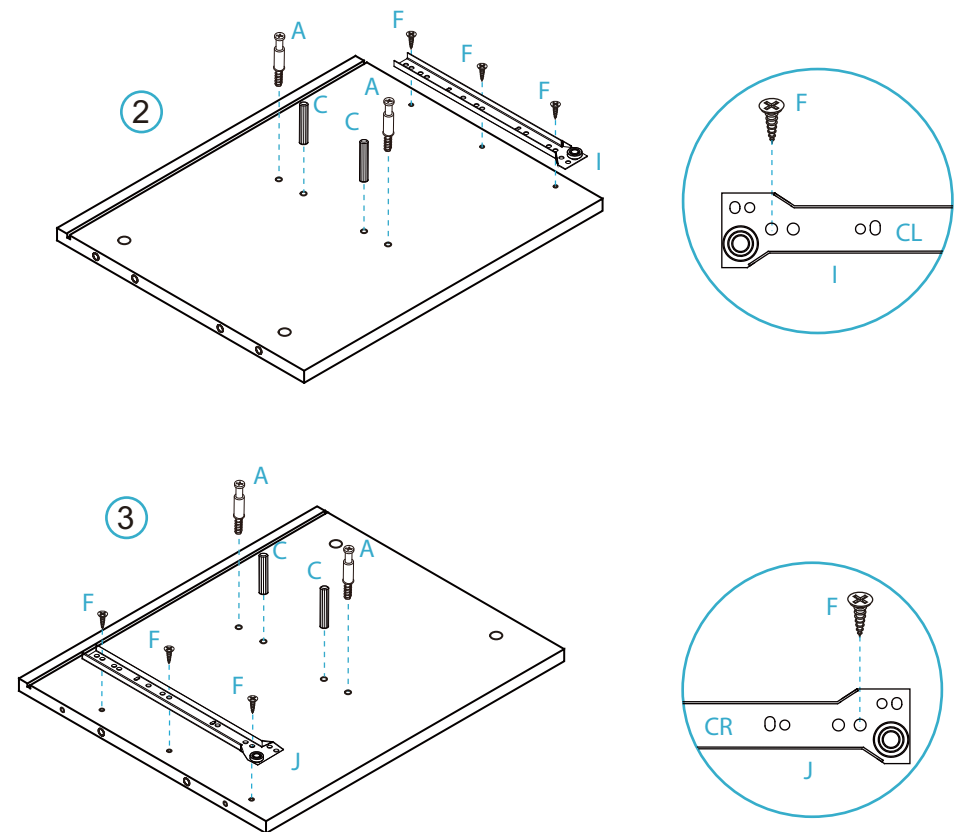
mocka

1



Insert 8x bolts (A) and 8x dowels (C) into panel [1]. Insert 4x bolts (A) into panel [6]. Tighten with a screwdriver.

2



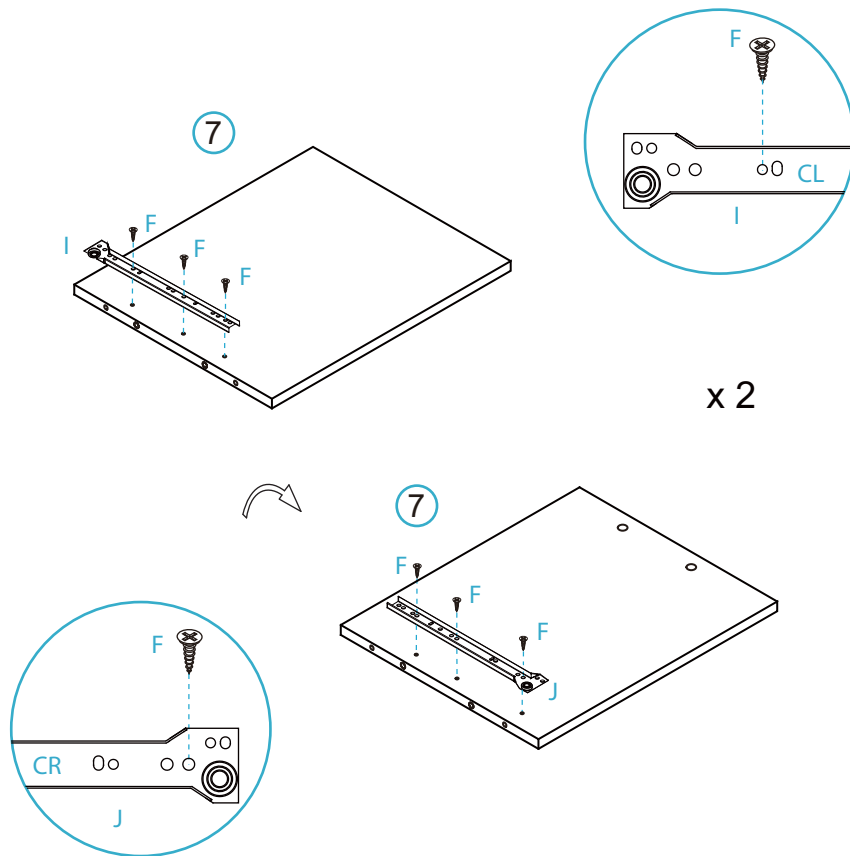
Attach 1x CL runner track (I) to panel [2] and secure with 3x small screws (F). Attach 1x CR runner track (J) to panel [3] and secure with 3x small screws (F). Insert 4x bolts (A) and 4x dowels (C) into panels [2] and [3]. Tighten with a screwdriver.

# Maya Entertainment Unit

## Assembly Instructions

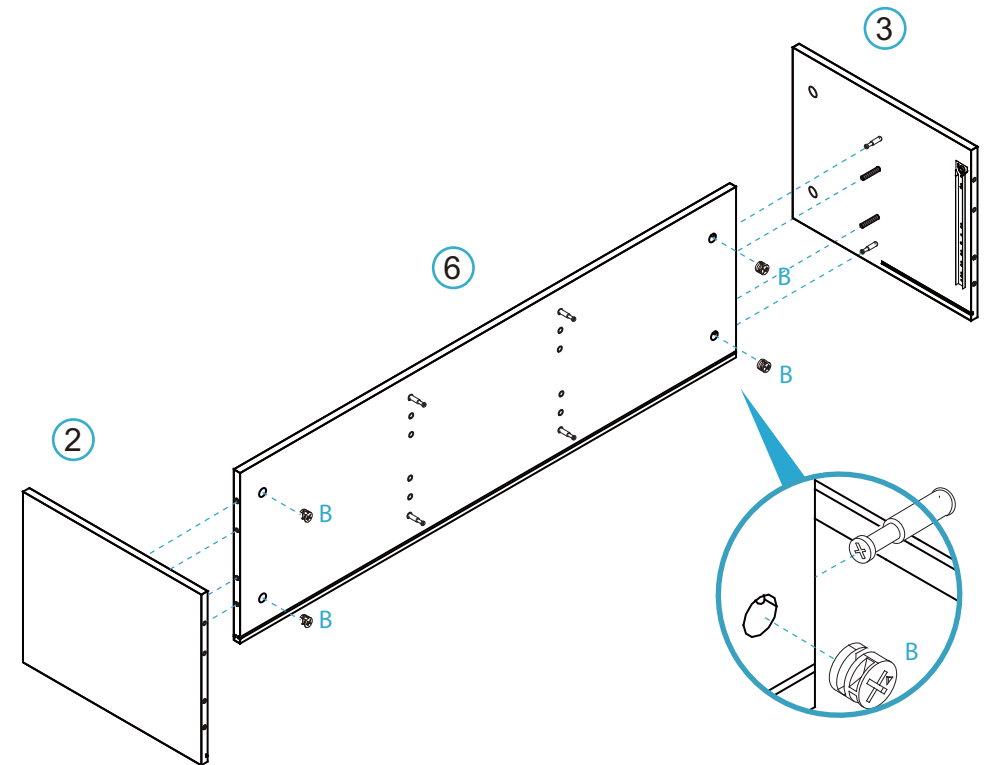
mocka

3



Attach 1x CL runner tracks (I) to each panel [7] and secure with 3x small screws (F). Flip panels [7] over, attach 1x CR runner tracks (J) to each panel [7], and secure with 3x small screws (F). Tighten with a screwdriver.

4



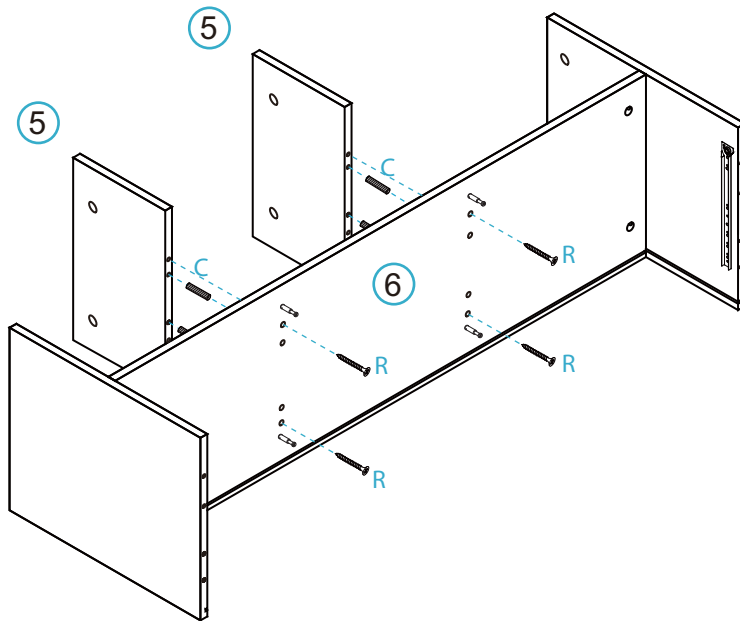
Attach panels [2] and [3] to panel [6] and secure with 4x locking nuts (B) and tighten with a screwdriver.

# Maya Entertainment Unit

## Assembly Instructions

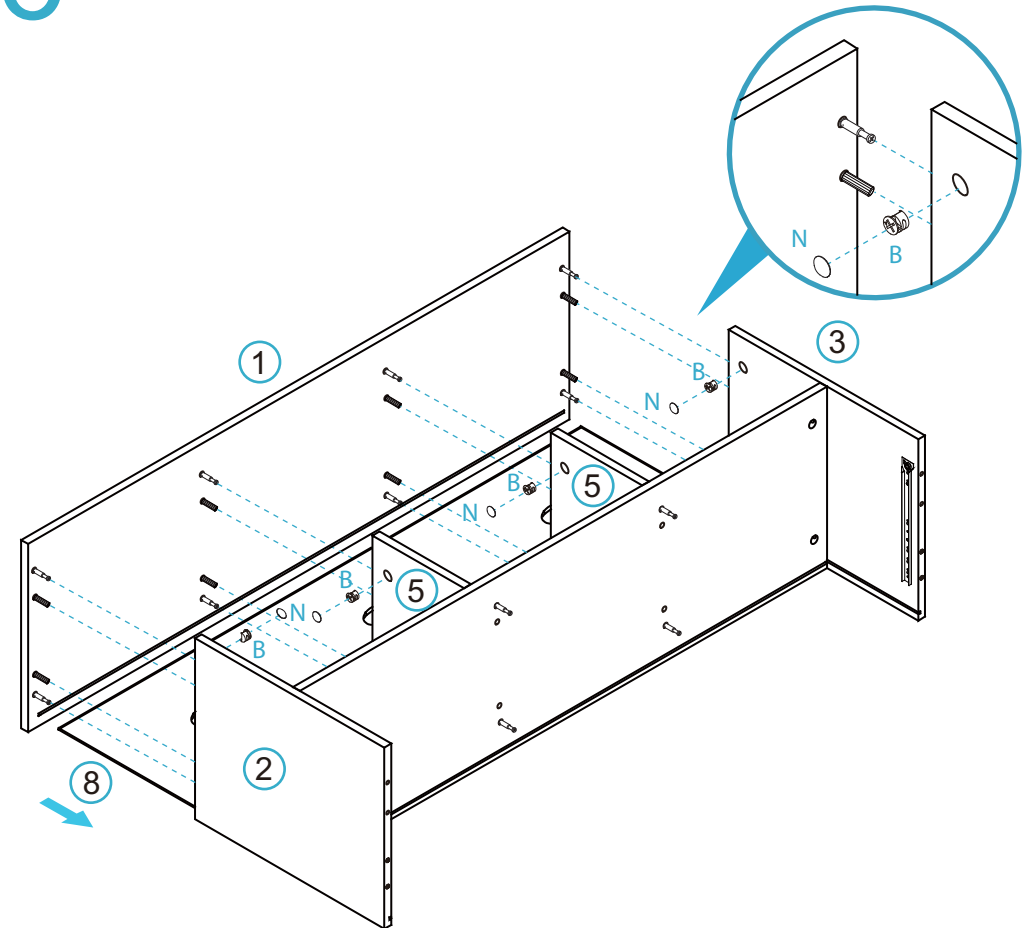
mocka

5



Attach 2x panels [5] to panel [6] with 4x dowels (C) and secure with 4x long screws (R) and tighten with a screwdriver.

6



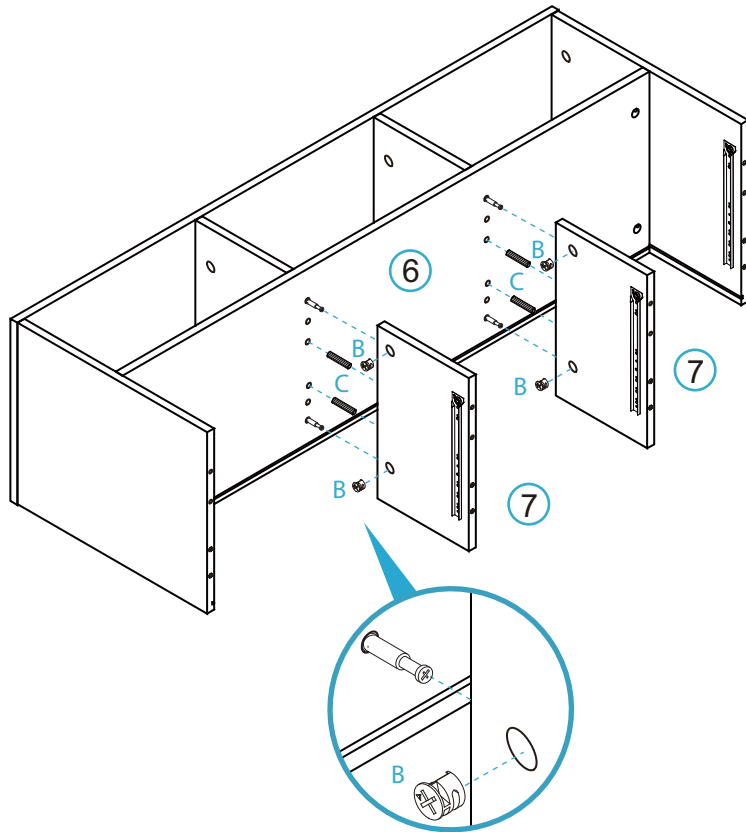
Slide panel [8] between the grooves of panels [2], [3] and [6] to form the back of the unit, as shown. Attach panel [1] to the rest of the unit and secure with 8x locking nuts (B) and tighten with a screwdriver. Seal the holes with 8 x covers (N).

# Maya Entertainment Unit

## Assembly Instructions

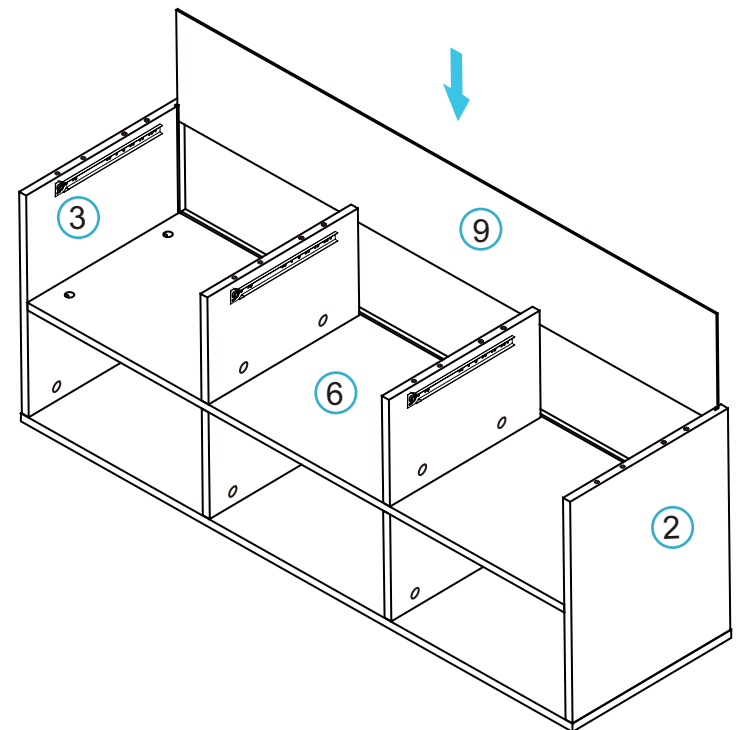
mocka

7



Attach 2x panels [7] to panel [6] with 4x dowels (C) and secure with 4x locking nuts (B) and tighten with a screwdriver.

8



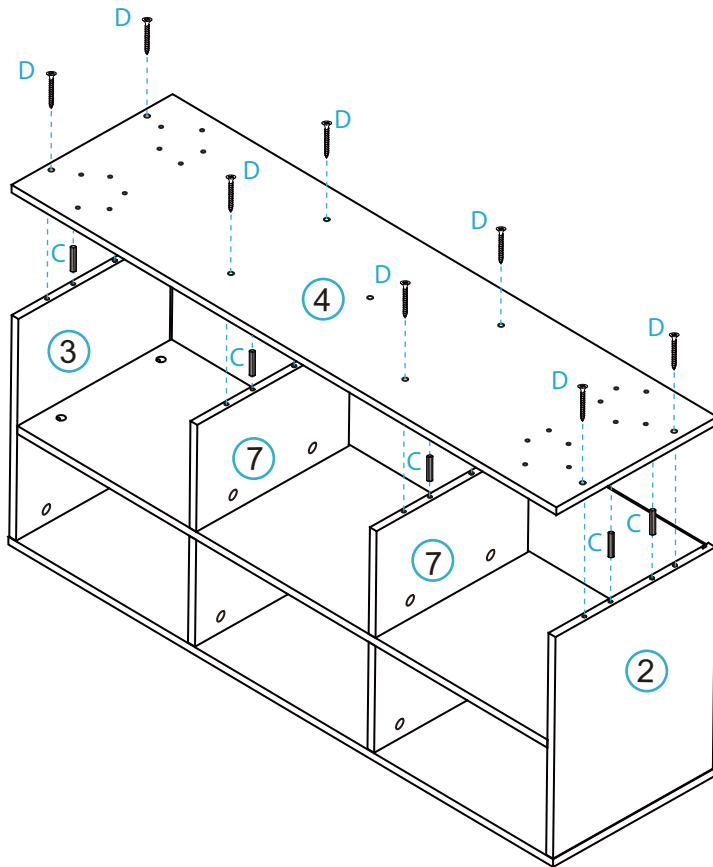
Slide panel [9] between the grooves of panels [2] ,[3] and [6] to form the back of the unit, as shown.

# Maya Entertainment Unit

## Assembly Instructions

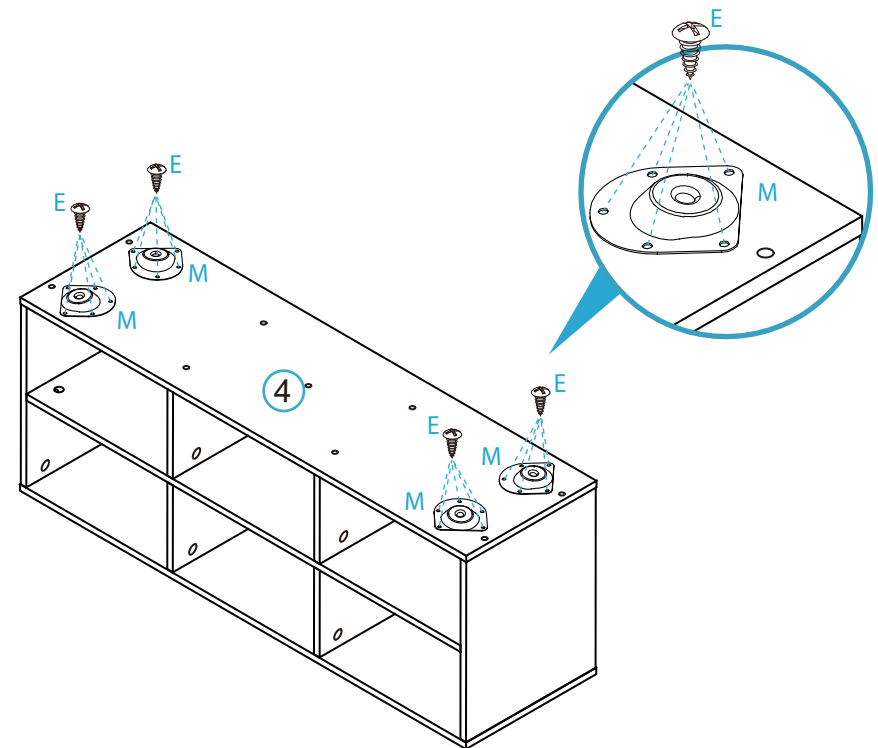
mocka

9



Attach panel [4] to the rest of the unit with 8x dowels (C) and secure with 8x long screws (D) and tighten with a screwdriver.

10



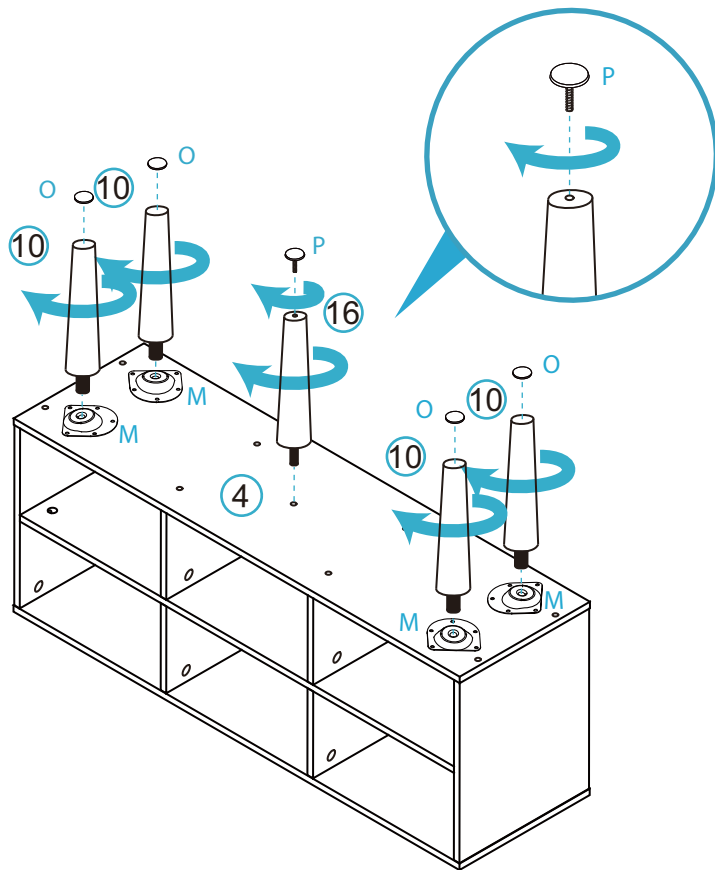
Attach 4x brackets (M) to the panel [4] and secure with 20x screws (E), and tighten with a screwdriver.

# Maya Entertainment Unit

## Assembly Instructions

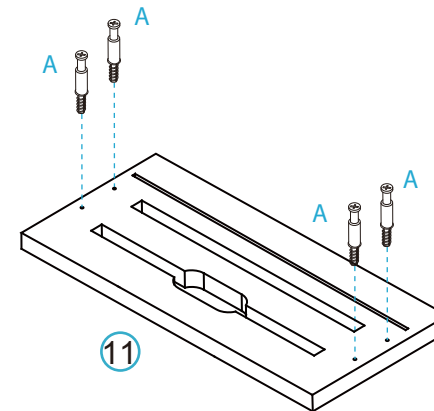
mocka

11



Turn 4 x legs [10] into brackets (M) until firm. Apply 4 x felt pads (O) to legs [10] as shown. Turn 1x support leg [16] into panel [4] until firm. Insert the adjuster (P) into the middle support leg.

12 Drawers x3



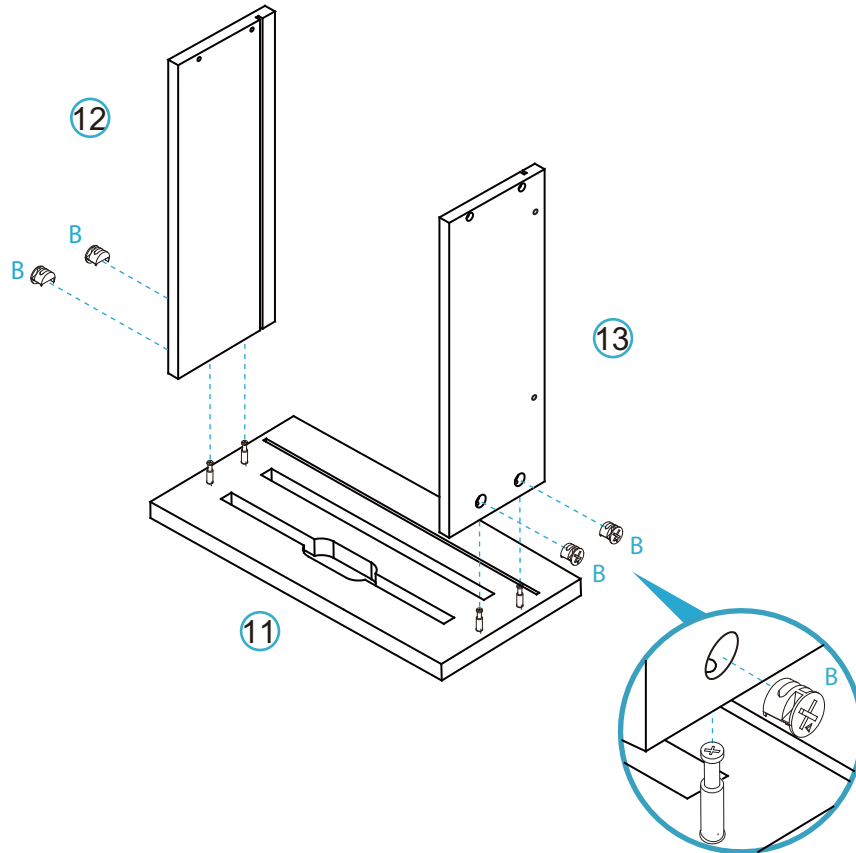
Insert 4x bolt (A) into panel [11]. Tighten with a screwdriver.

# Maya Entertainment Unit

## Assembly Instructions

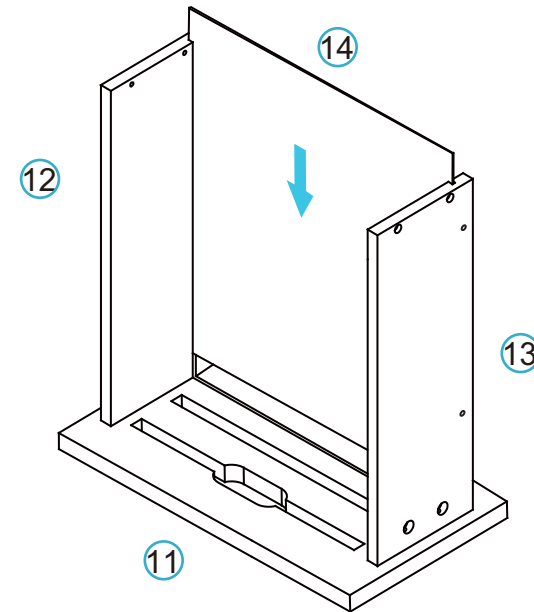
mocka

### 13 Drawers x3



Attach panels [12] and [13] to panel [11] with 4x locking nuts (B).  
Tighten with a screwdriver.

### 14 Drawers x3



Slide panel [14] along the grooves between the side panels [12] and [13] to form the base of the drawer.

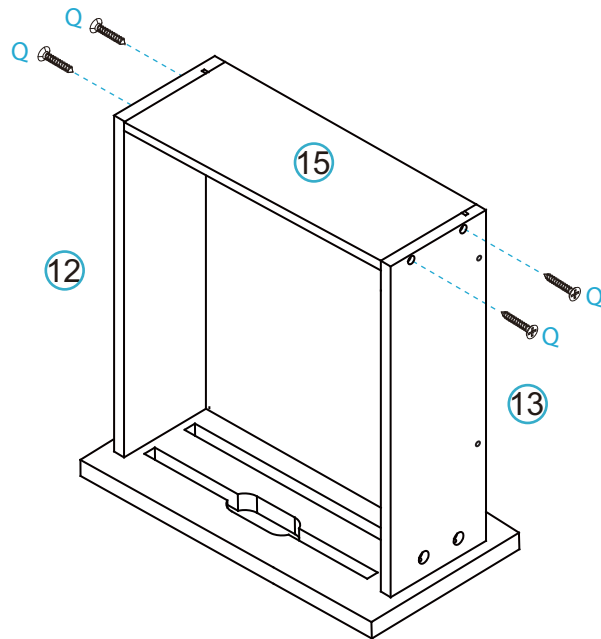


# Maya Entertainment Unit

## Assembly Instructions

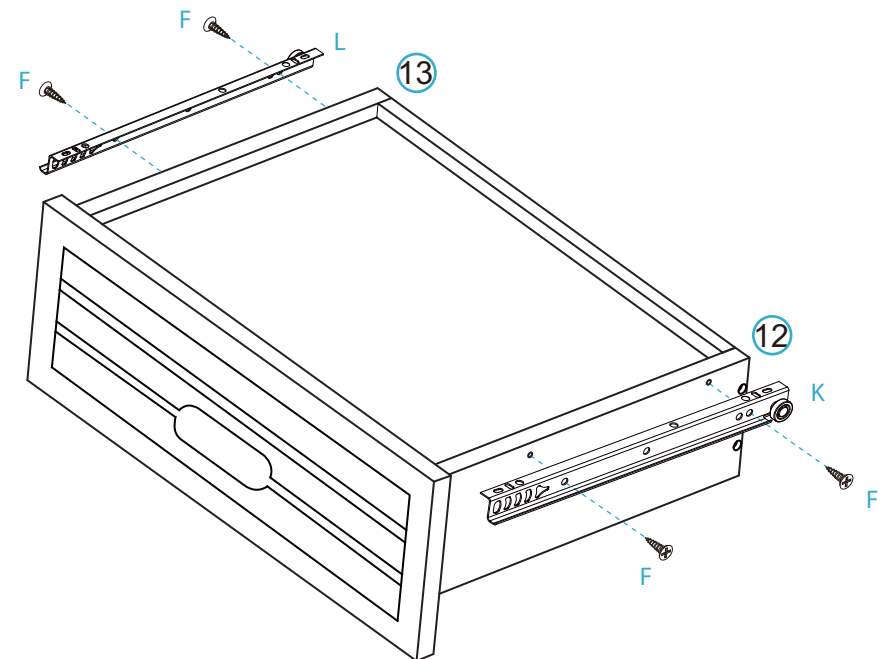
mocka

### 15 Drawers x3



Attach panels [15], [12] and [13] with 4x screws (Q). Tighten with a screwdriver.

### 16 Drawers x3



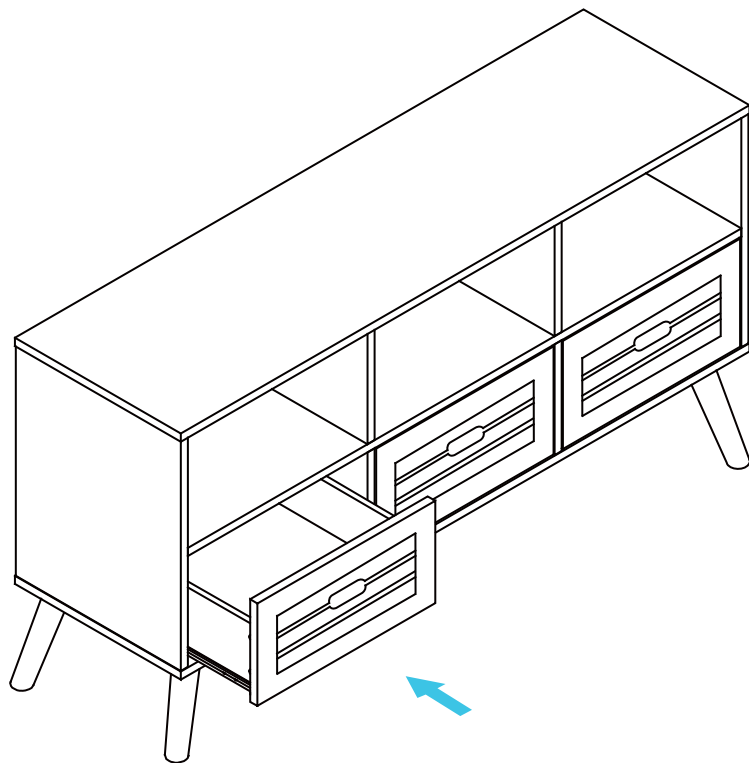
Attach DL runner (K) to panel [12] and DR runner (L) to panel [13] with 4x small screws (F). Tighten with a screwdriver. Complete the other two drawers.

# Maya Entertainment Unit

## Assembly Instructions

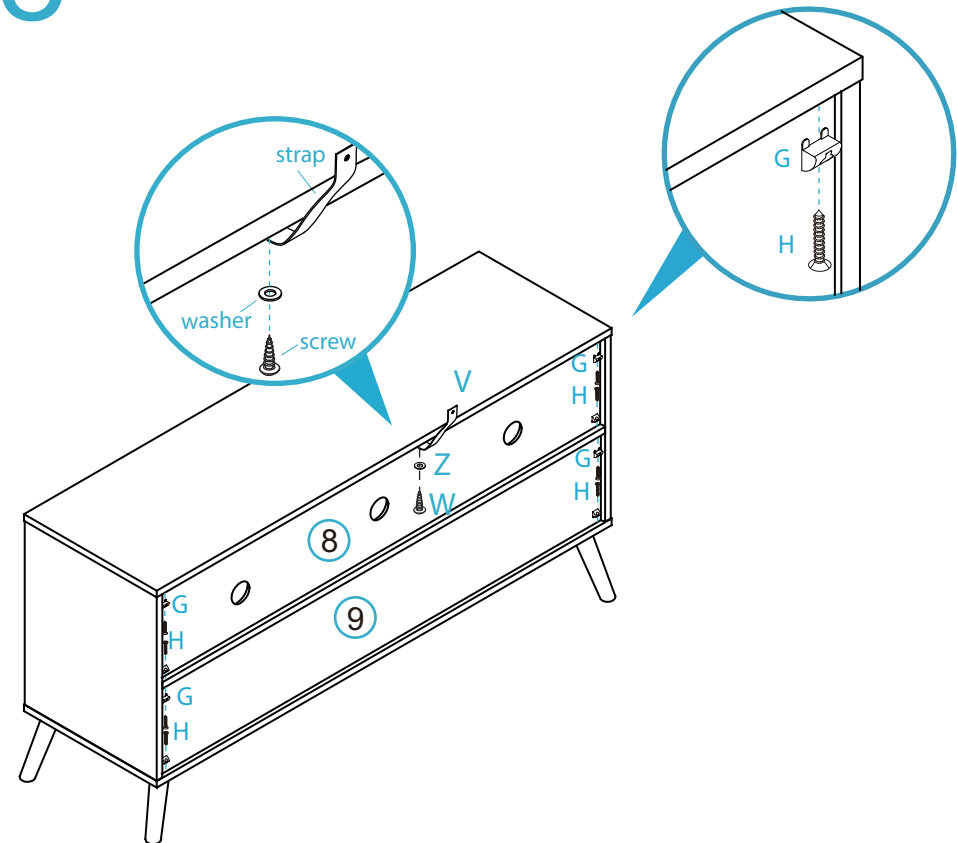
mocka

17



Insert the completed drawer into the main unit as shown, ensuring they slide easily along the rails.

18



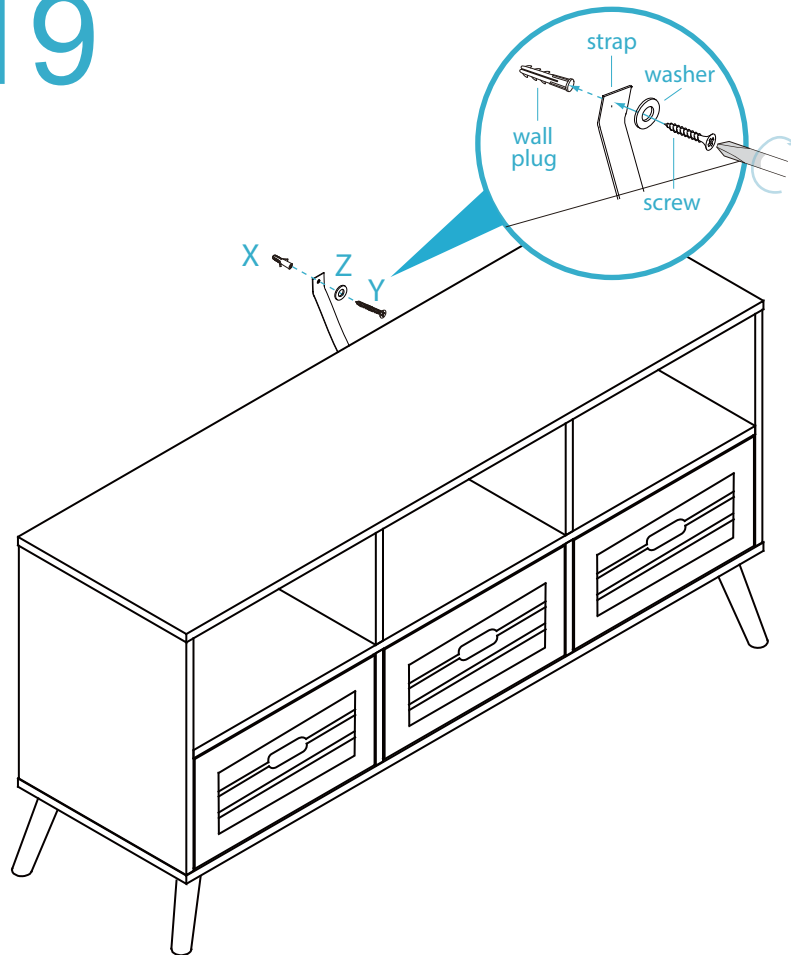
Attach 8x wedges (G) to the corners of the panels [8] and [9] as shown, and secure with 8x small screws (H). Attach 1x safety strap (V) to the top panel [1] of the back side of the unit as shown using 1x washer (Z) and 1x screw (W). Tighten with a screwdriver.

# Maya Entertainment Unit

## Assembly Instructions

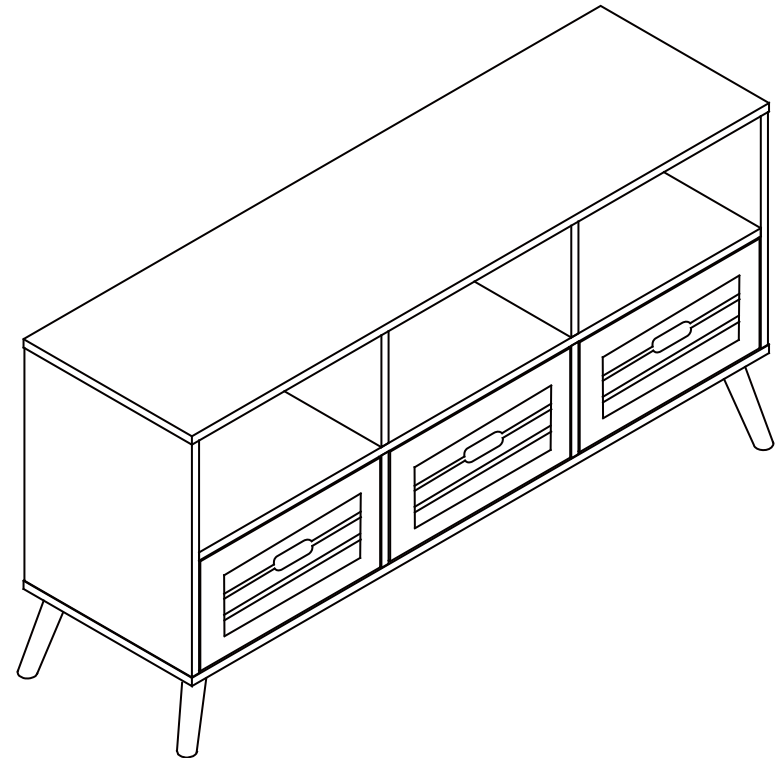
mocka

19



Once assembled lift furniture into place, do not drag. Attach the other end of the safety strap (V) to the wall using 1x screw (Y), 1x wall plug (X) and 1x washer (Z). Tighten with a screwdriver.

20



You're done, enjoy!