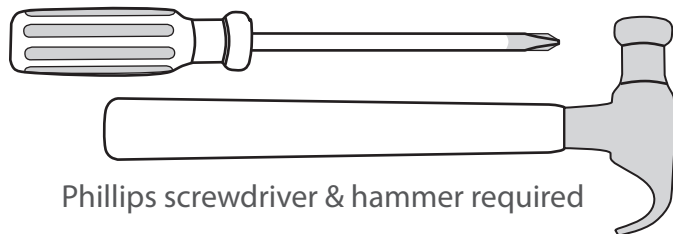
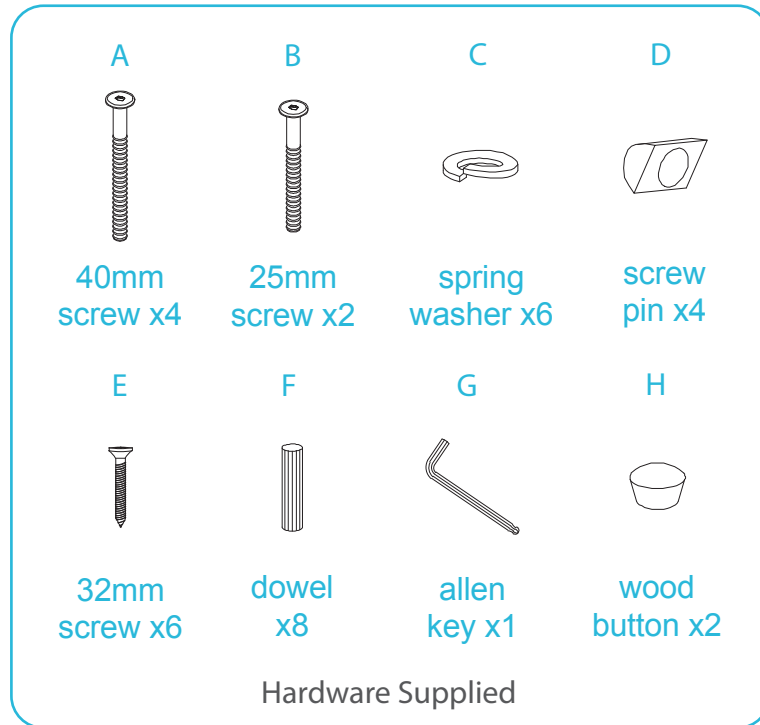


Livi Dining Chair

Assembly Instructions

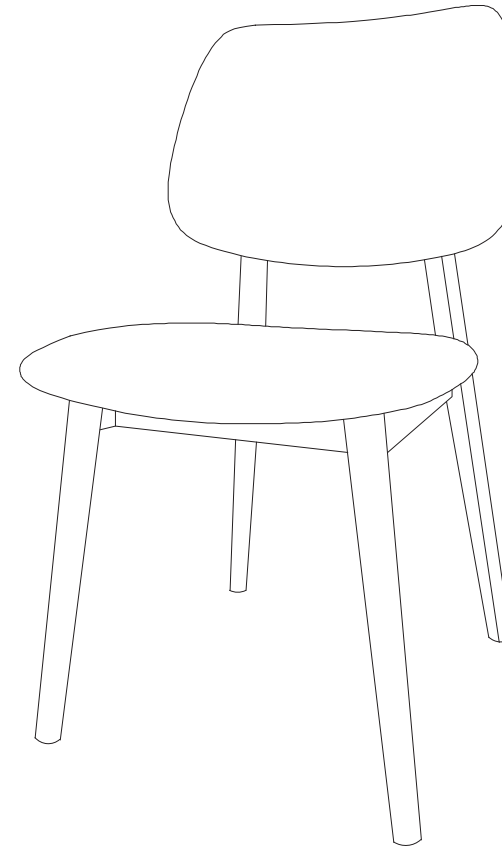
Thank you for your purchase.
Please follow the instructions below for correct assembly.

mocka



Phillips screwdriver & hammer required

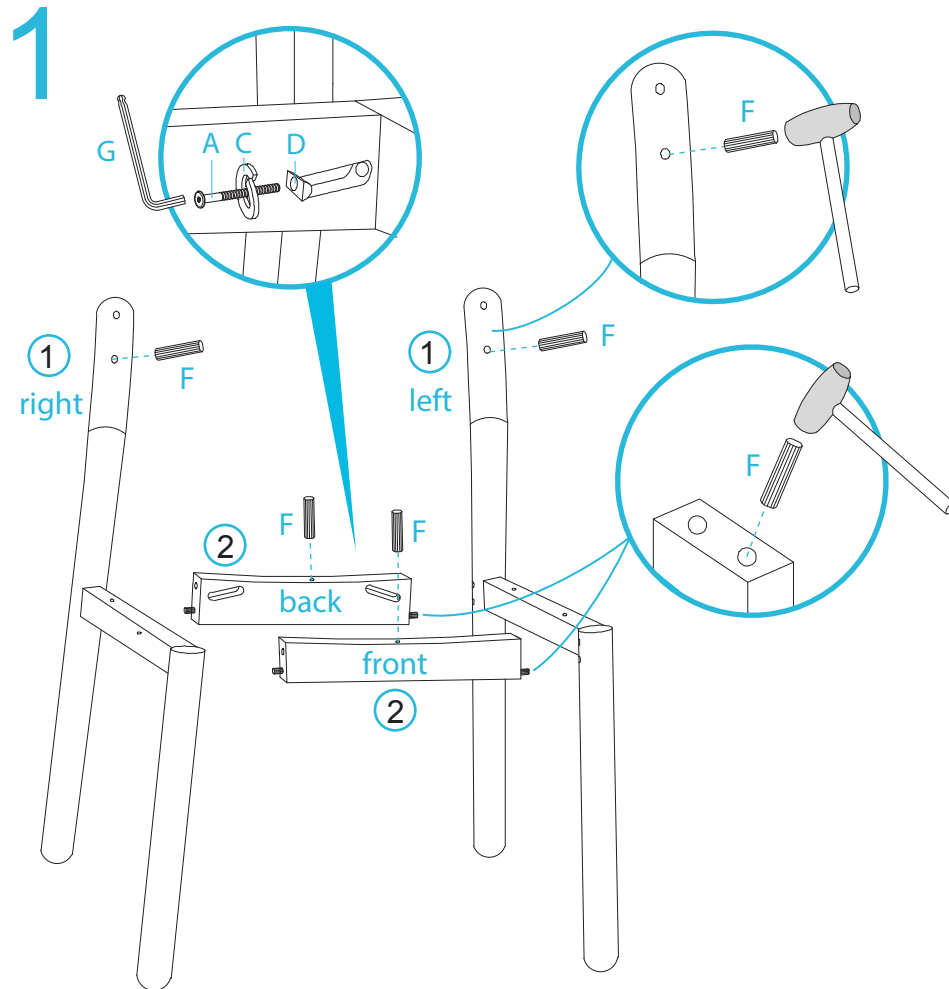
For quicker assembly, we recommend the use of a power drill on a low-speed setting.



Livi Dining Chair

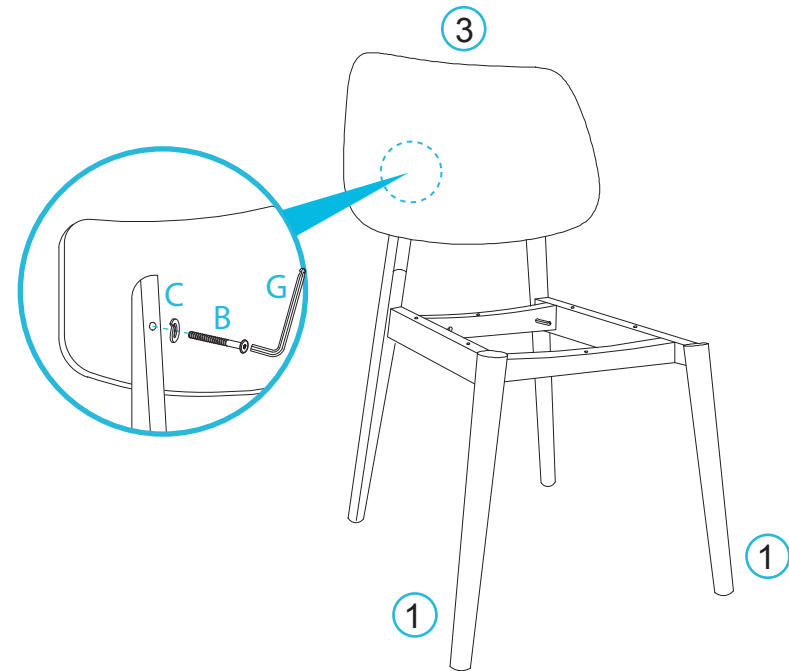
Assembly Instructions

mocka



Insert 2x dowels (F) into left and right panels [1]. Insert 4x dowels (F) into the ends and 2x dowels (F) into the centre of the front & back stretchers [2]. Attach stretchers [2] between the right and left chair legs [1] as shown. Secure the stretchers [2] to the legs [1] using 4x 40mm screws (A), 4x spring washers (C) and 4x screw pins (D) as shown. Tighten with the allen key (G).

2



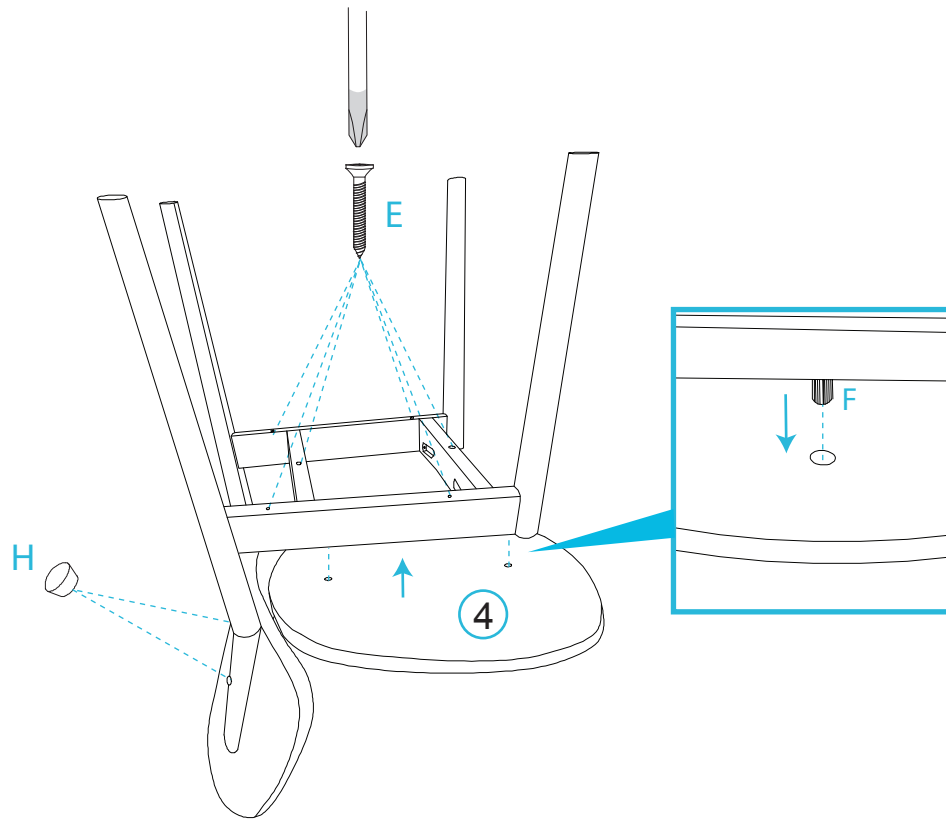
Attach the back rest [3] to the legs [1] using 2x spring washers (C) and 2x 25mm screws (B) and tighten with the allen key (G).

Livi Dining Chair

Assembly Instructions

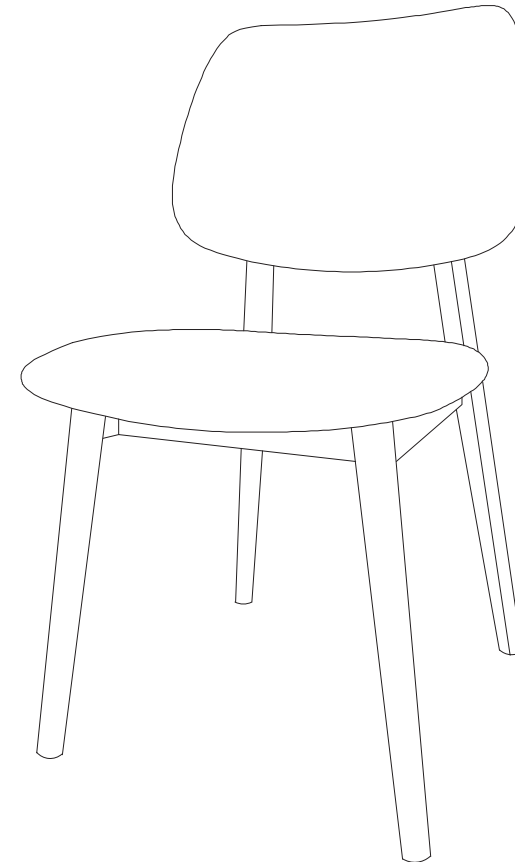
mocka

3



Line up the dowels (F) in the pre-drilled holes on the seat base before screwing in the legs to the seat base. Carefully turn the chair frame over and attach the chair seat [4] using 6x 32mm screws (E). Tighten with a screwdriver. Insert 2x wood buttons (H) to cover the holes at the back of the chair.

4



Carefully turn the chair over onto its legs, ensuring it's balanced and steady before use. You're done, enjoy!