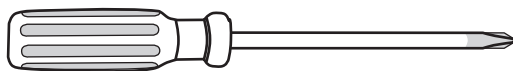
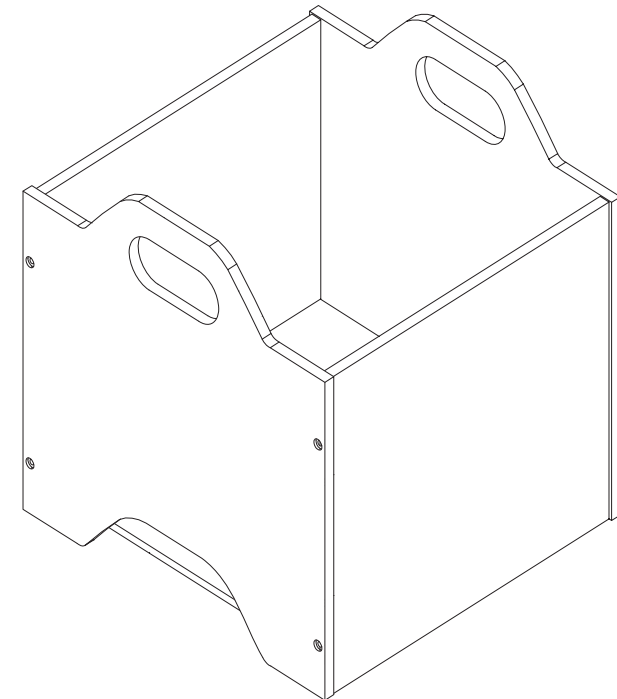
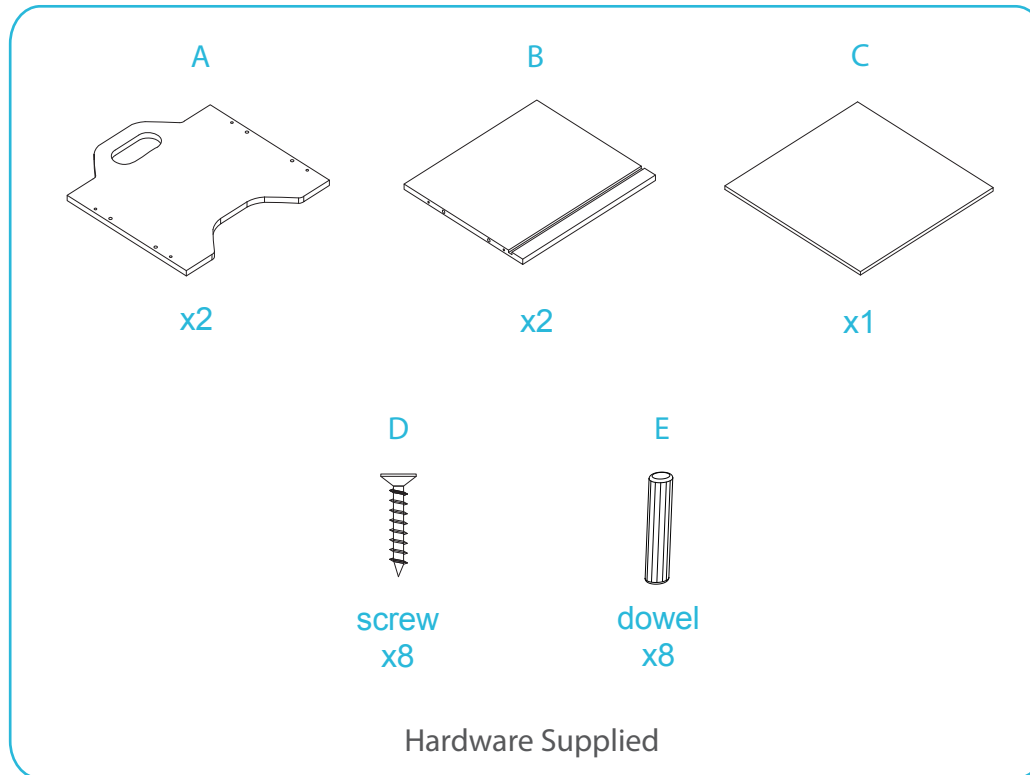


Mocka Stacking Boxes

Assembly Instructions

Thank you for your purchase.
Please follow the instructions below for correct assembly.

mocka



Phillips screwdriver required

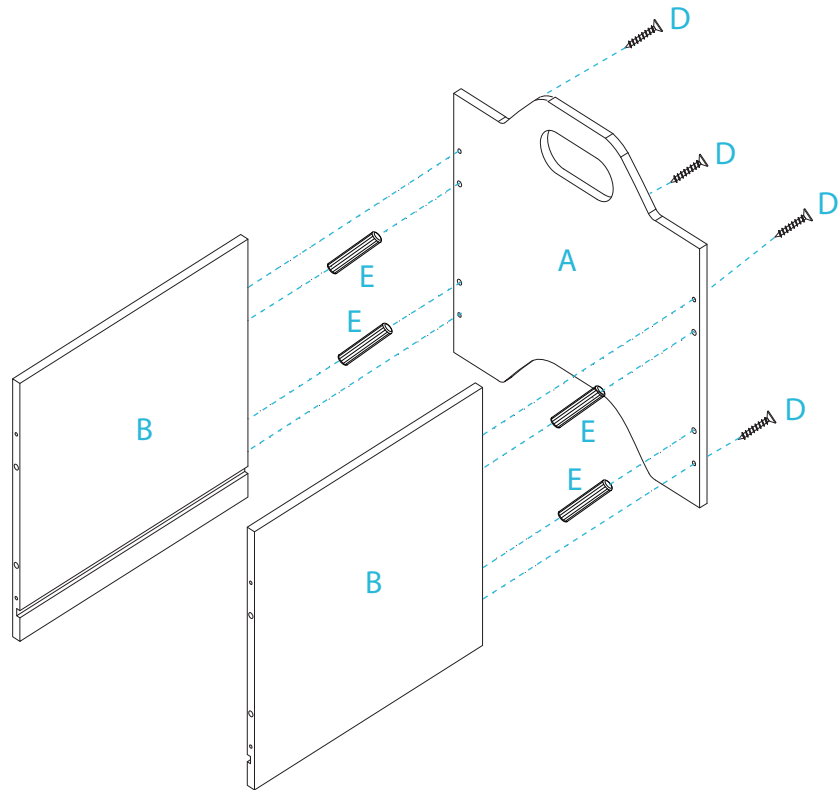
For quicker assembly, we recommend the use of a power drill on a low-speed setting.

Mocka Stacking Boxes

Assembly Instructions

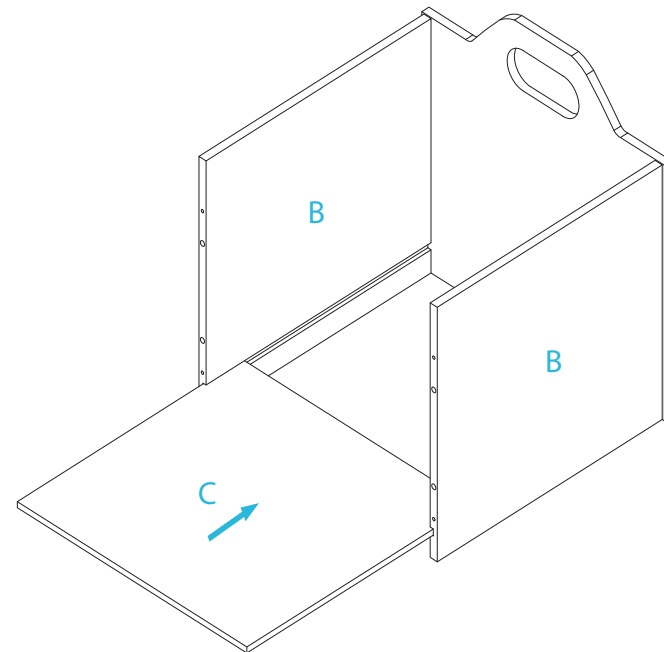
mocka

1



Attach 2x panels (B) to 1x panel (A) using 4x dowels (E) and secure with 4x screws (D) as shown. Tighten with a screwdriver.

2



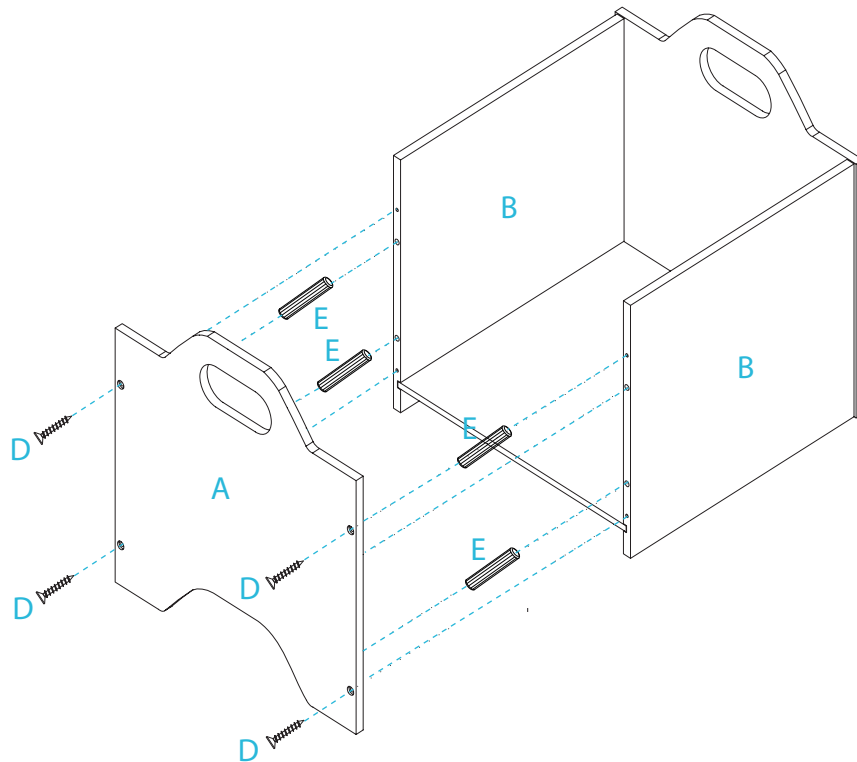
Slide panel (C) along the grooves between panels (B).

Mocka Stacking Boxes

Assembly Instructions

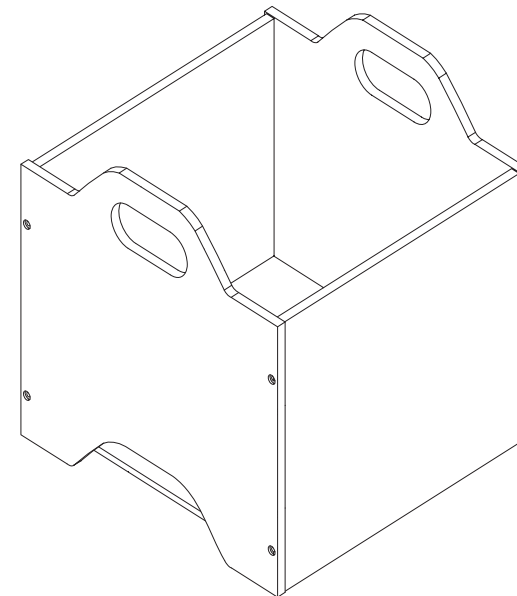
mocka

3



Attach 1x panel (A) to 2x panels (B) using 4x dowels (E) and secure with 4x screws (D). Tighten with a screwdriver.

4



You're done, enjoy!