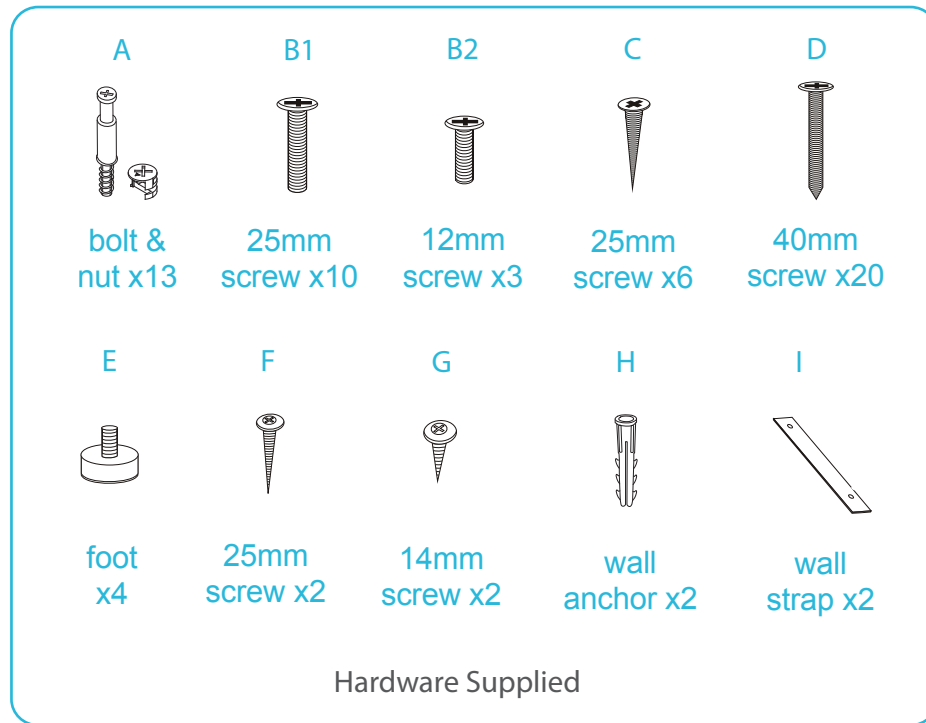


Kenny Desk

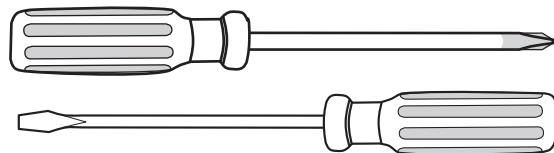
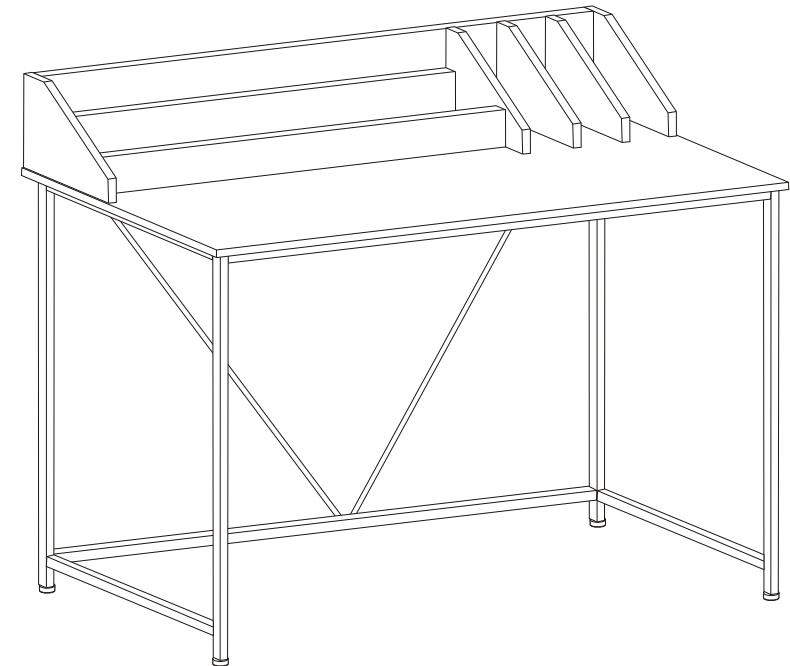
Assembly Instructions

mocka

Thank you for your purchase.
Please follow the instructions below for correct assembly.



WARNING: Any furniture that is not anchored to a wall has the potential to tip over in certain circumstances, i.e. if a child attempts to climb up on the furniture or in the event of an earthquake. Accordingly, we recommend that all furniture is anchored to a wall. We supply a free safety wall anchor with all furniture sold and we recommend these are used to prevent your product tipping. The fixing device provided should fit most wall types, but please note that different wall materials may require different fixing devices from those supplied.



Phillips & Flathead screwdrivers required

For quicker assembly, we recommend the use of a power drill on a low-speed setting.

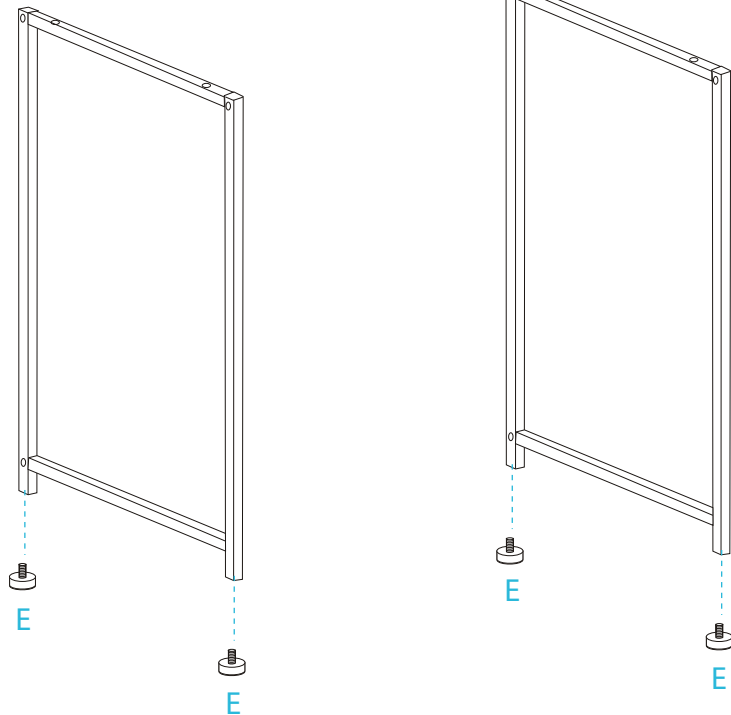
*We recommend using a Flathead screwdriver to tighten all locking nuts 100% before first use. Please clear any loose wood from the locking nut holes before inserting the nut to ensure it locks 100%.

Kenny Desk

Assembly Instructions

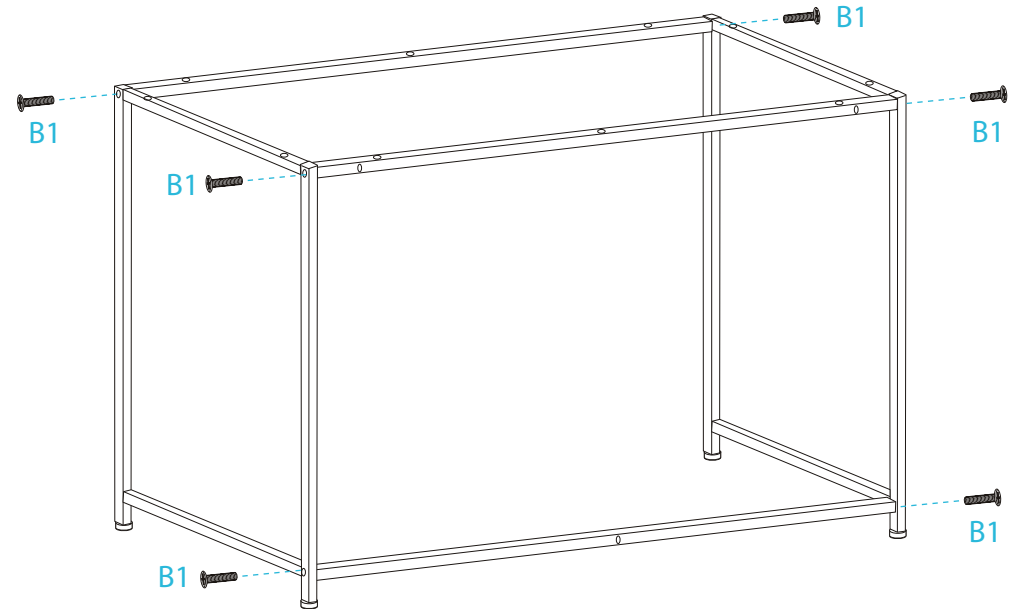
mocka

1



Attach 4x feet (E) to the ends of the legs.

2



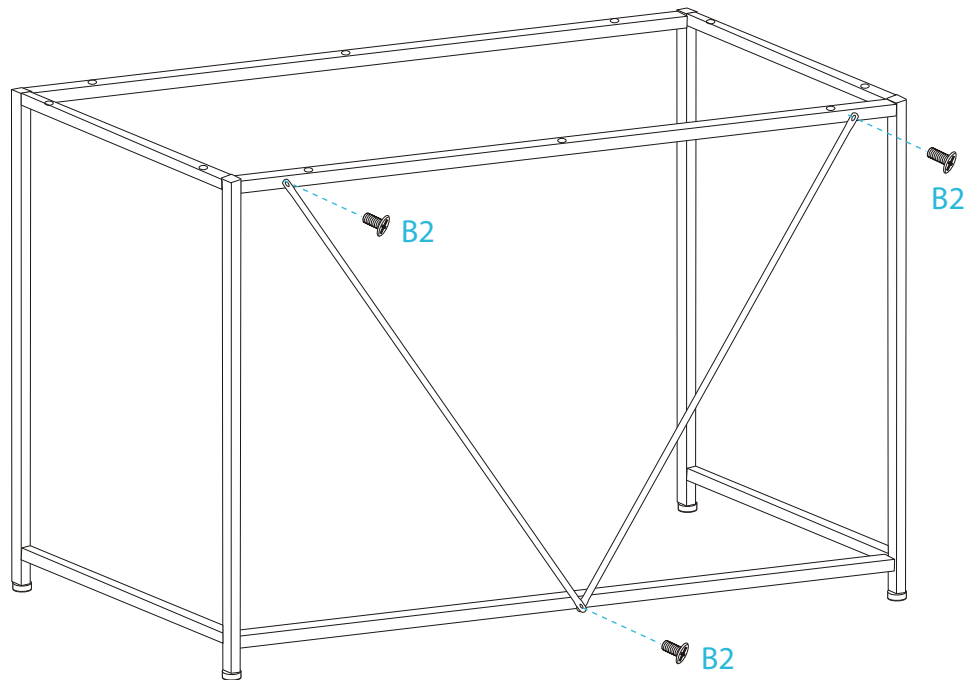
Attach the leg panels together as shown using 6x 25mm screws (B1). Tighten with a screwdriver.

Kenny Desk

Assembly Instructions

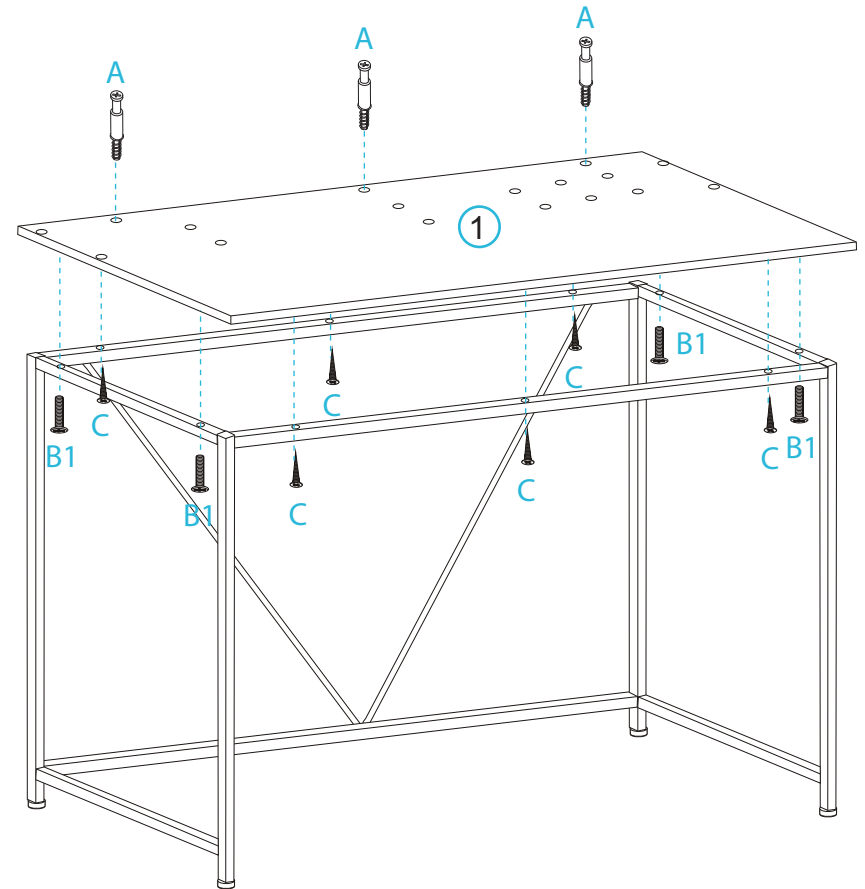
mocka

3



Attach the central panels to the outer leg panels as shown using 3x 12mm screws (B2). Tighten with a screwdriver.

4



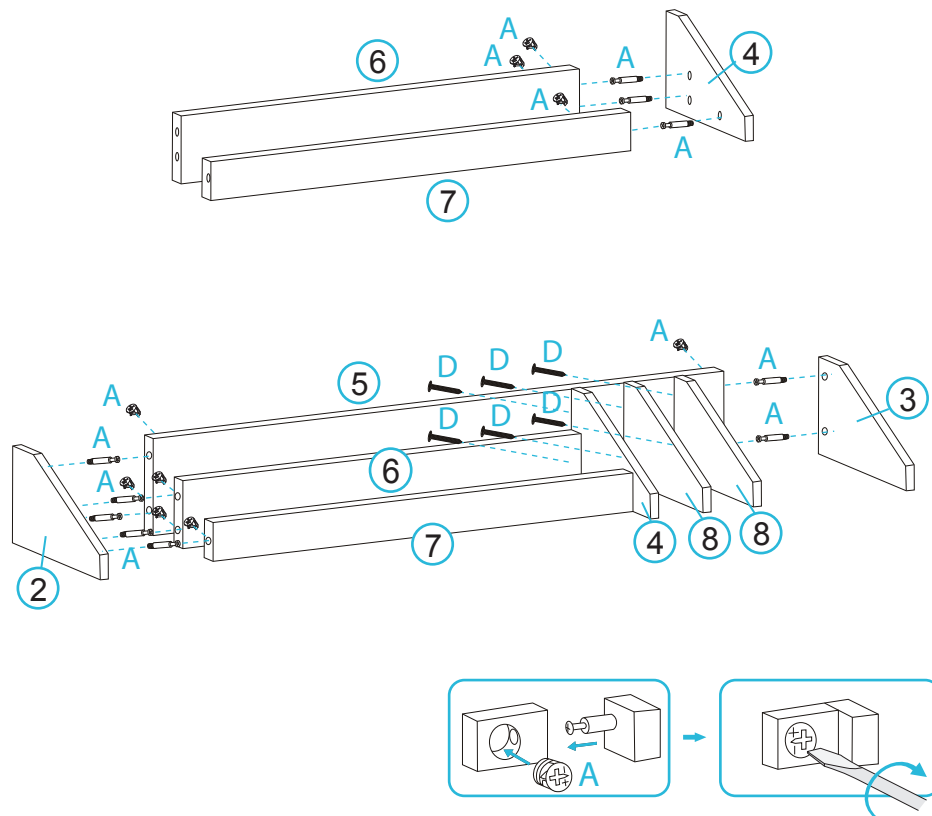
Attach panel [1] to the leg panels as shown using 4x 25mm screws (B1) and 6x 25mm screws (C). Tighten with a screwdriver. Insert 3x bolts (A) into panel [1].

Kenny Desk

Assembly Instructions

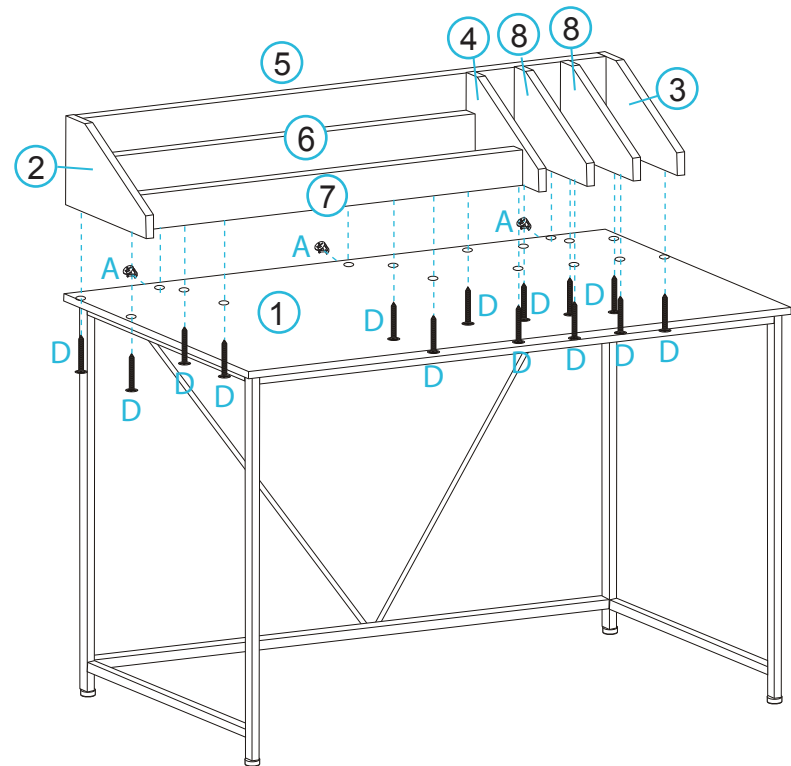
mocka

5



Attach panels [6] and [7] to panel [4] using 3x bolt and nut sets (A). Attach panels [5], [6] and [7] to panel [2] using 5x bolt and nut sets (A). Secure panels [4] and [8] through the back of panel [5] with 6x 40mm screws (D). Attach panel [3] to panel [5] using 2x bolt and nut sets (A). Tighten with a screwdriver.

6



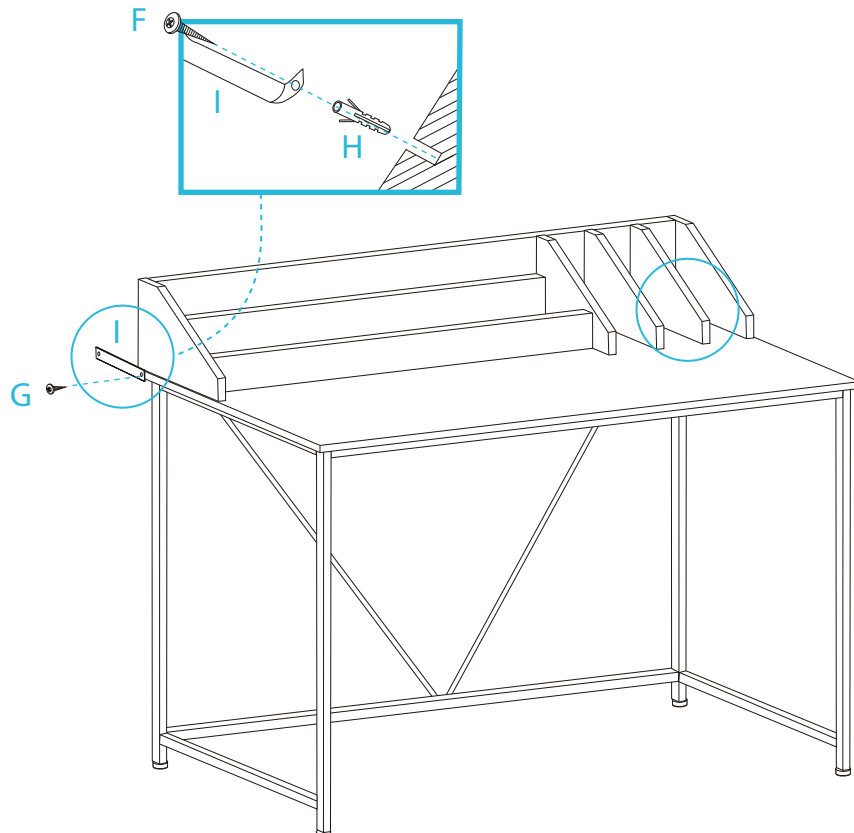
Attach the assembled panels to panel [1] as shown using 3x locking nuts (A) and 14x 40mm screws (D). Tighten with a screwdriver.

Kenny Desk

Assembly Instructions

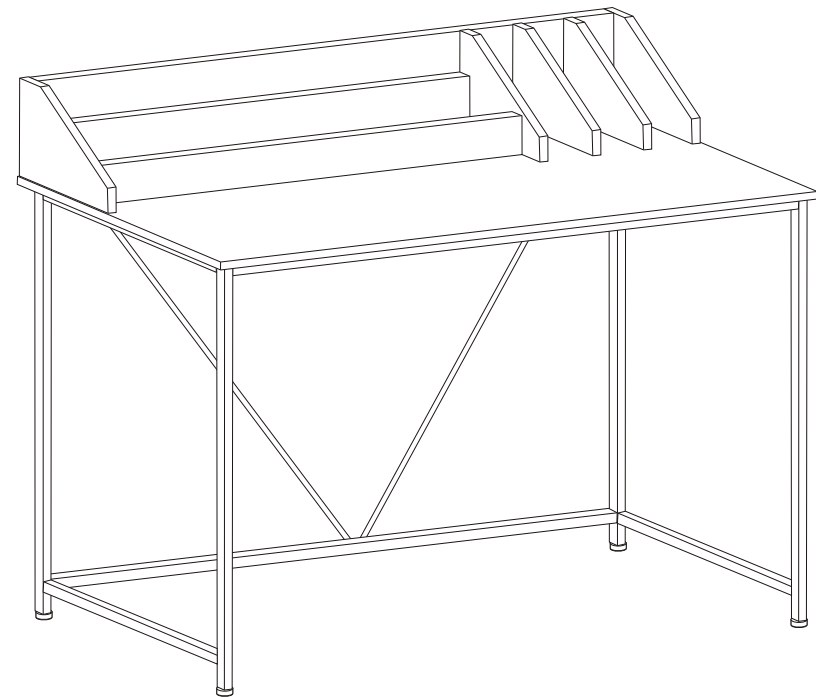
mocka

7 Safety Straps



Once assembled, lift furniture into the desired position against a wall, do not drag. Attach 2x wall straps (I) to the back sides of panel [1] and secure with 2x 14mm screws (G). Fasten to wall using 2x wall anchors (H) and 2x wall screws (F). Tighten with a screwdriver.

8



Ensure unit is balanced and steady before use. You're done, enjoy!