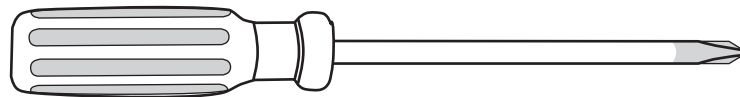
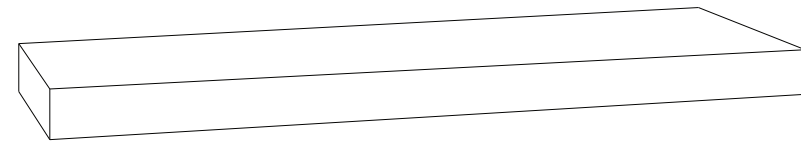
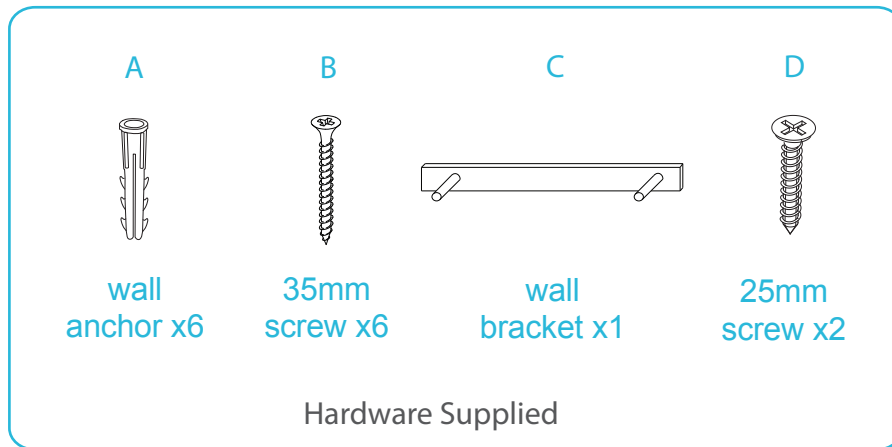


Floating Shelf

Assembly Instructions

Thank you for your purchase.
Please follow the instructions below for correct assembly.

mocka



Phillips screwdriver required.

We also recommend using a pencil and spirit level.

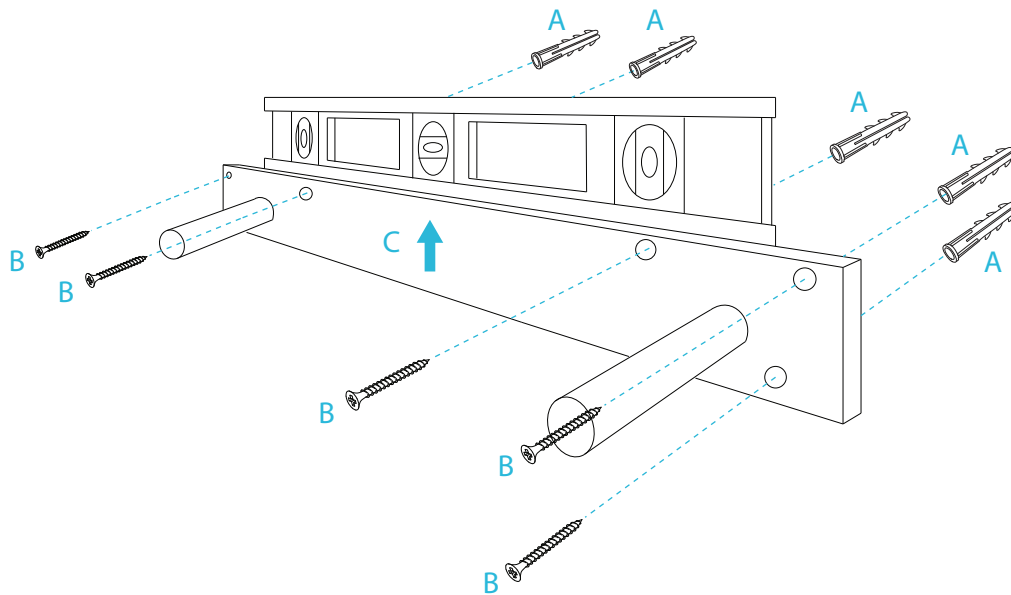
For quicker assembly, we recommend the use of a power drill on a low-speed setting.

Floating Shelf

Assembly Instructions

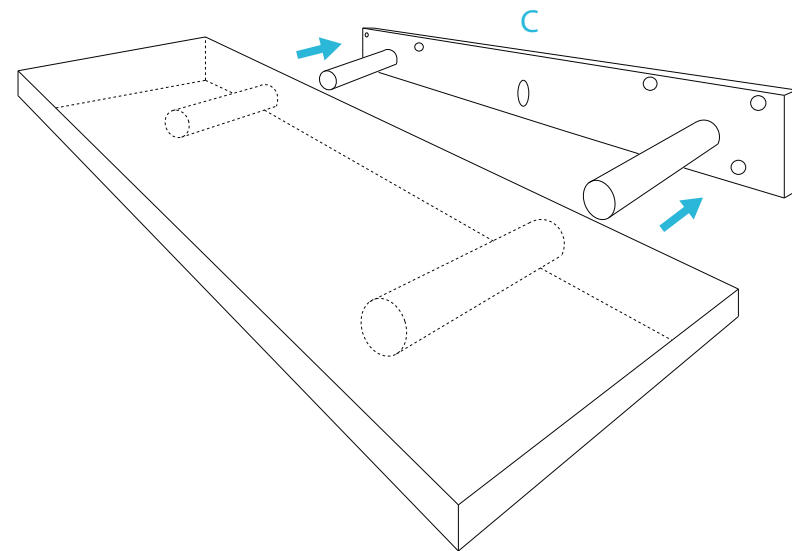
mocka

1



Determine the placement of your shelf, ensuring it is level. Mark the location of the anchors with a pencil. Insert 6x screws (B) into the wall bracket (C) using 6x anchors (A) and tighten with a screwdriver or drill.

2



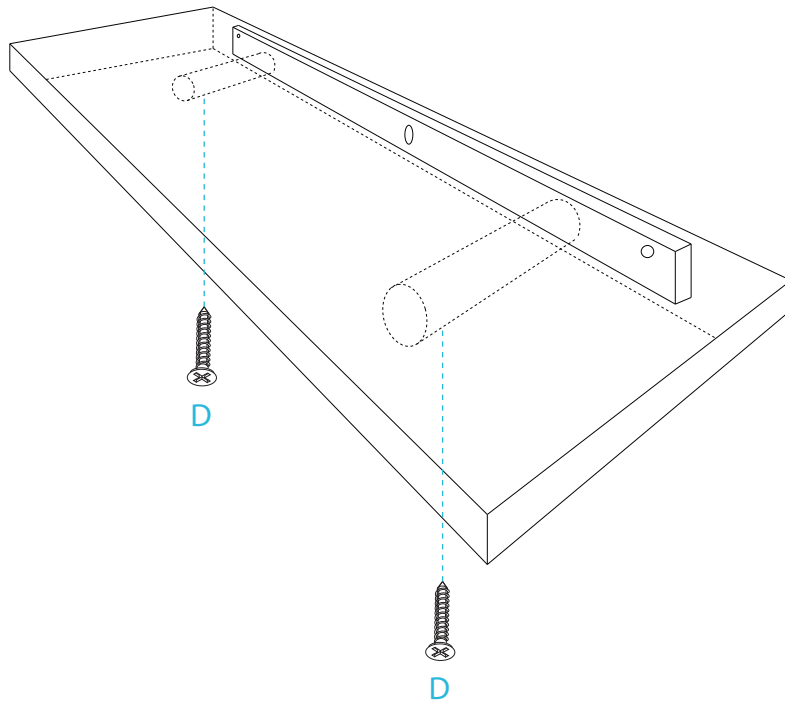
Slide the shelf over the bracket (C).

Floating Shelf

Assembly Instructions

mocka

3



Tighten 2x screws (D) into the bracket to secure. You're all done, enjoy!