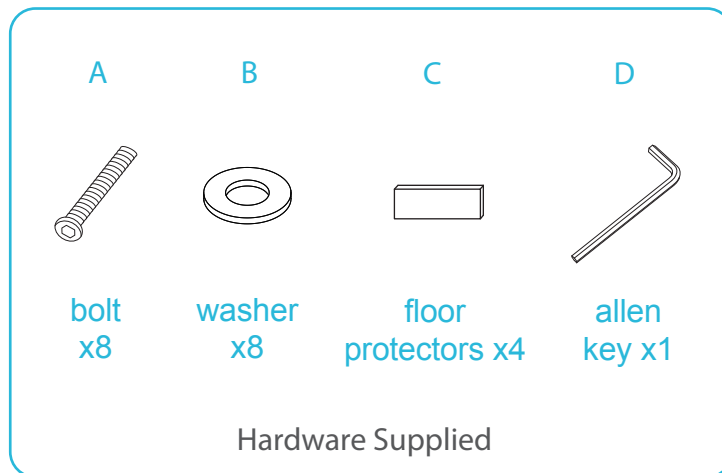


# Cena Dining Table

## Assembly Instructions

Thank you for your purchase.  
Please follow the instructions below for correct assembly.

# mocka

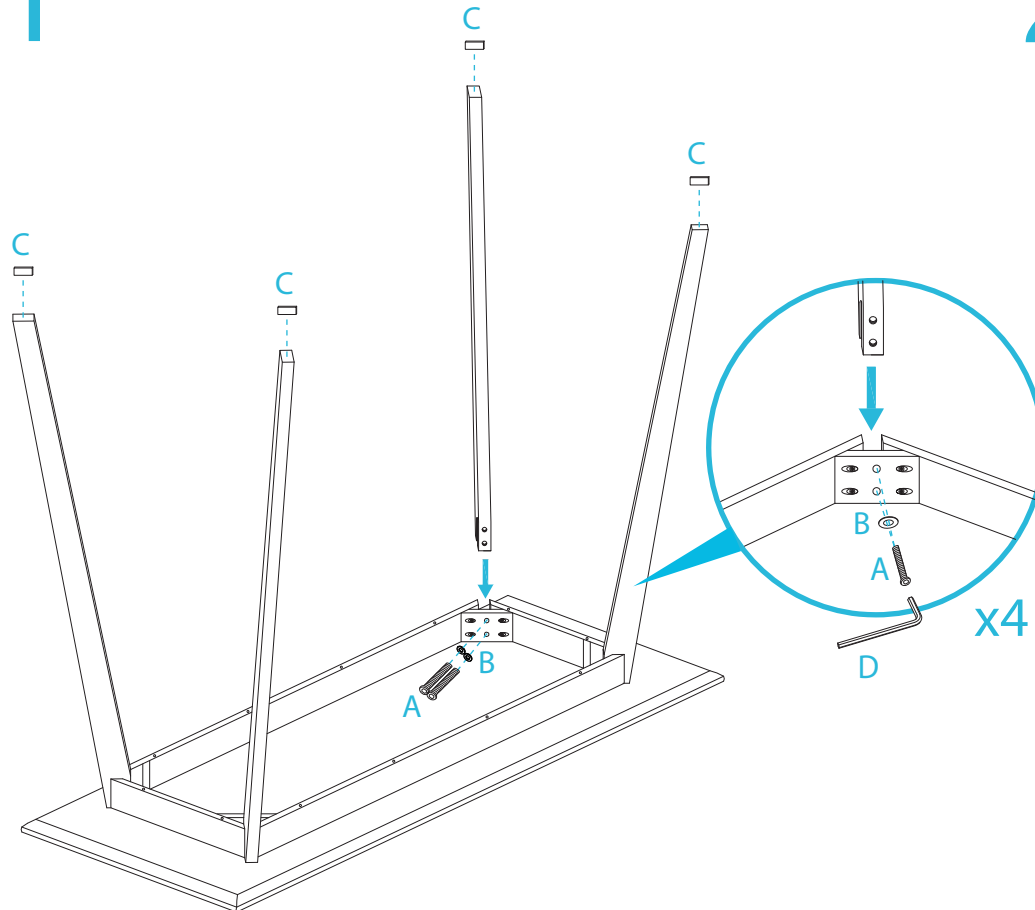


# Cena Dining Table

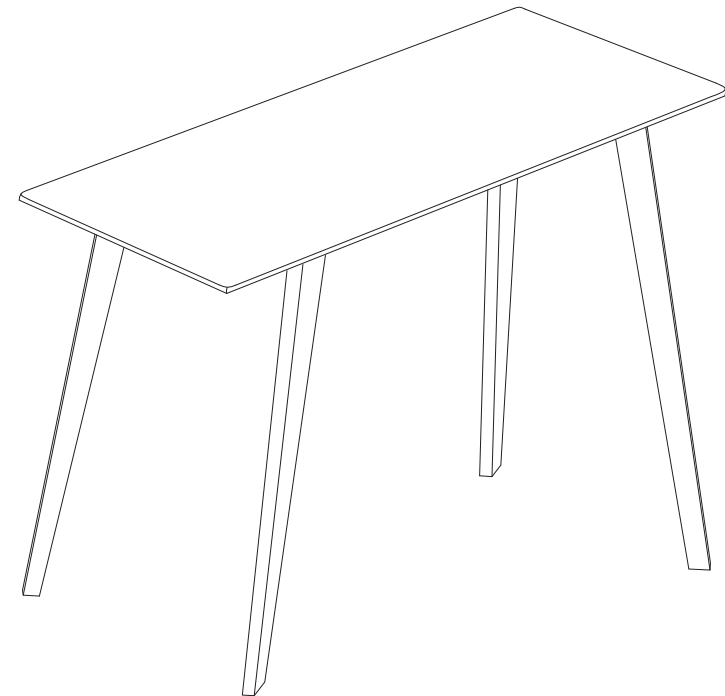
## Assembly Instructions

mocka

1



2



Attach each leg to the underside of the tabletop using 2x washers (B) and 2x bolts (A) as shown. Repeat to attach each leg. Tighten with the allen key (D). Attach 4x floor protectors (C) to the end of each leg.

Carefully turn the table over onto its legs ensuring it is level and steady. You're done, enjoy!