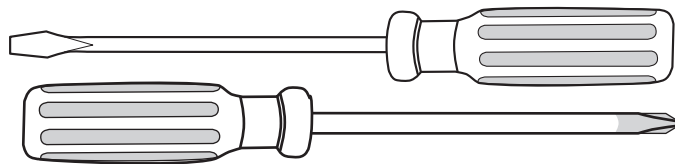
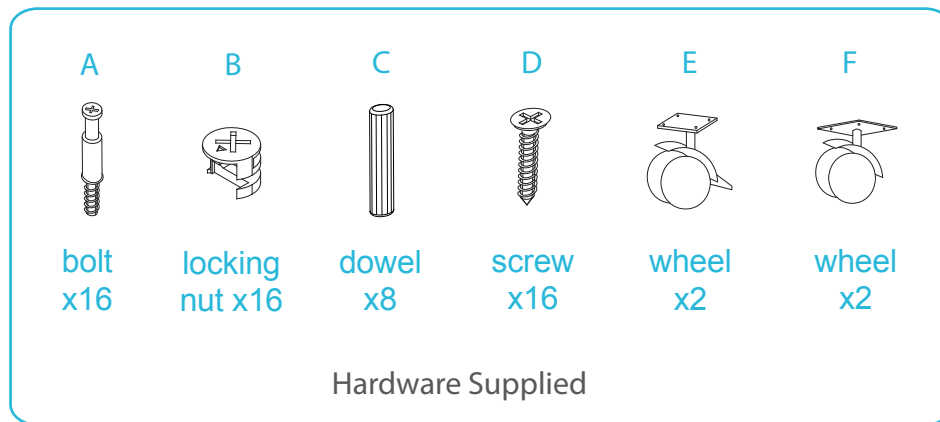


Brooklyn Underbed Storage Box

Assembly Instructions

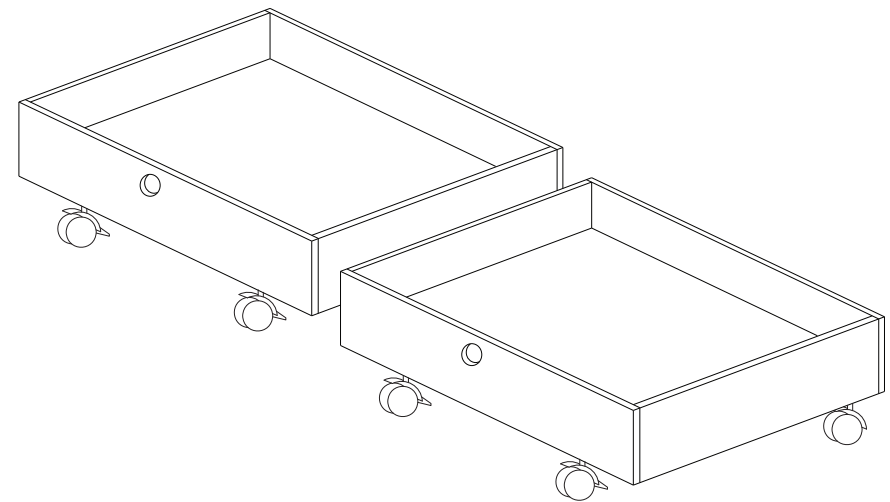
mocka

Thank you for your purchase.
Please follow the instructions below for correct assembly.



Phillips & Flathead screwdrivers required

For quicker assembly, we recommend the use of a power drill on a low-speed setting.



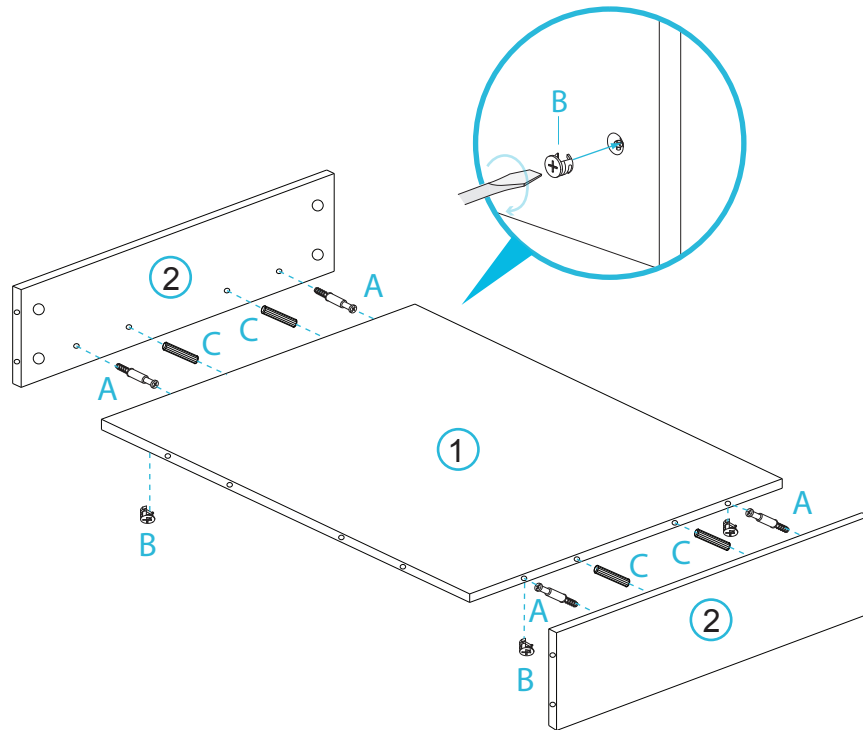
*We recommend using a Flathead screwdriver to tighten all locking nuts 100% before first use.
Please clear any loose wood from the locking nut holes before inserting the nut to ensure it locks 100%.

Brooklyn Underbed Storage Box

Assembly Instructions

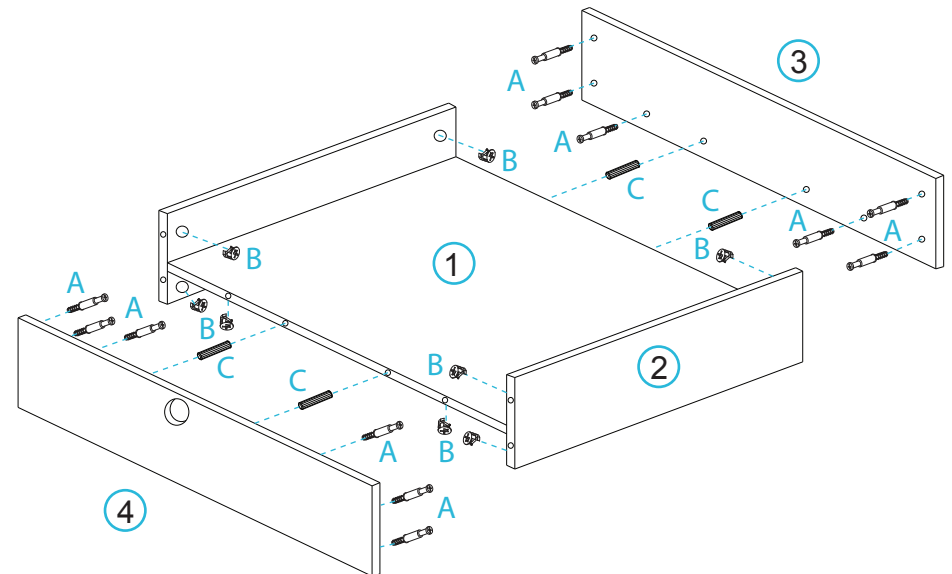
mocka

1



Attach the two side panels [2] to the base panel [1] with 4x bolts (A), 4x dowels (C) and secure with 4x locking nuts (B). Tighten with a screwdriver.

2



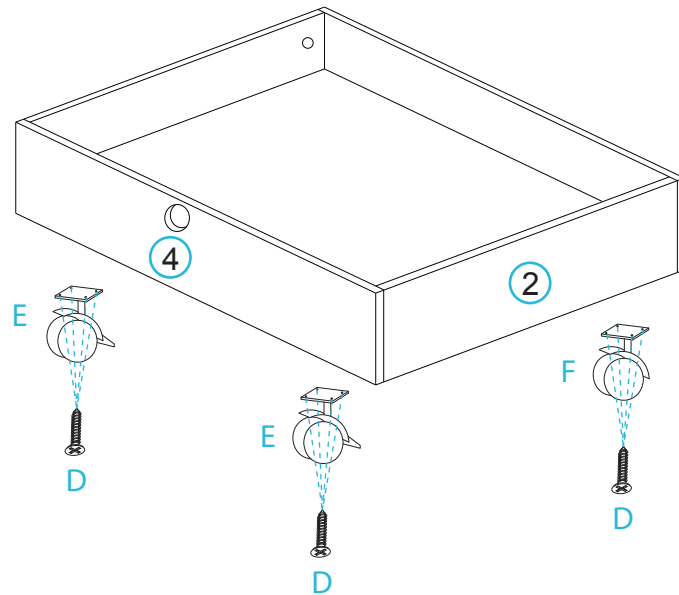
Attach the front [4] and back panel [3] with 12x bolts (A), 4x dowels (C) and secure with 12x locking nuts (B). Tighten with a screwdriver.

Brooklyn Underbed Storage Box

Assembly Instructions

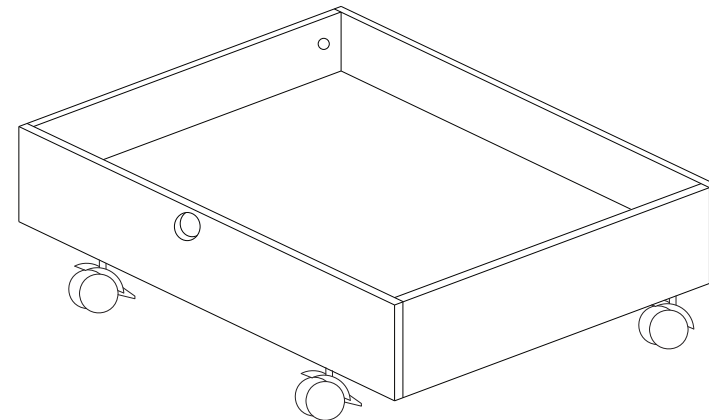
mocka

3



Attach 2x wheels (E) and 2x wheels (F) to the underside of the box as shown, using 16x screws (D). Tighten with a screwdriver.

4



Repeat steps 1 to 3 to complete the second box. You're done, enjoy!