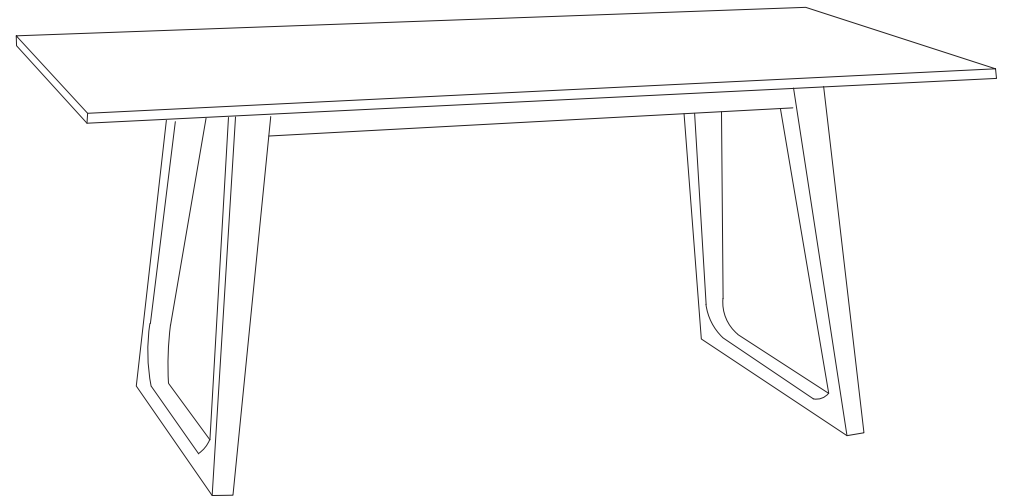
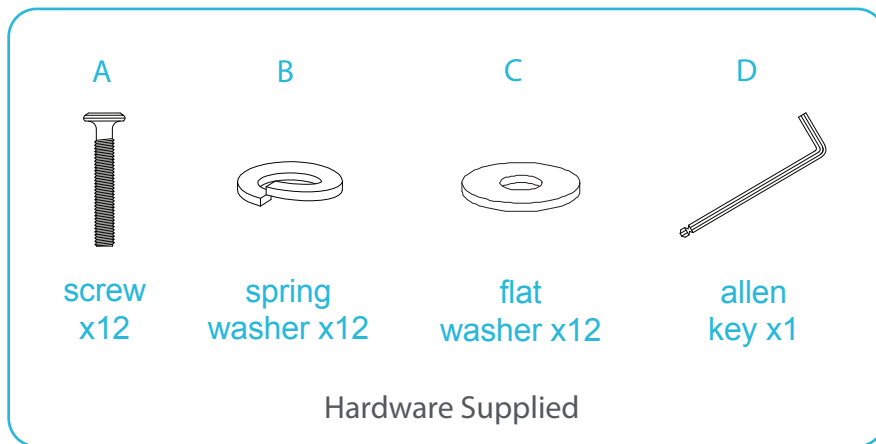


Livi Dining Table

Assembly Instructions

Thank you for your purchase.
Please follow the instructions below for correct assembly.

mocka

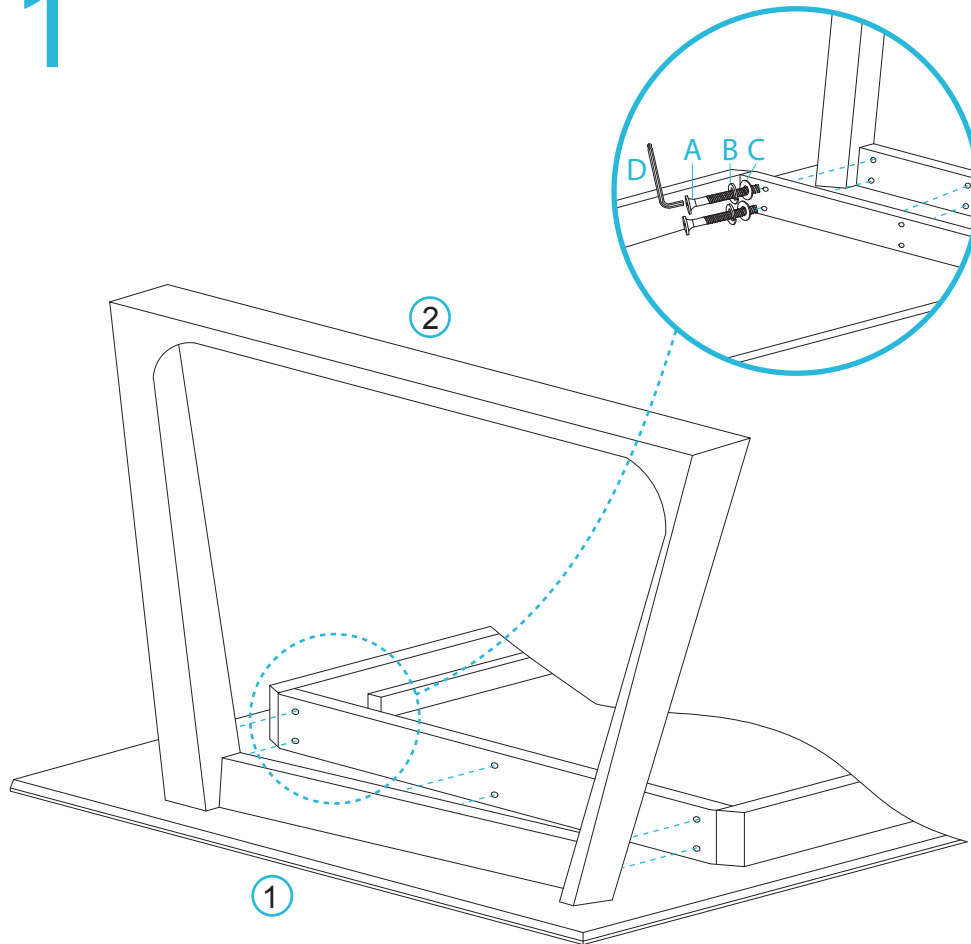


Livi Dining Table

Assembly Instructions

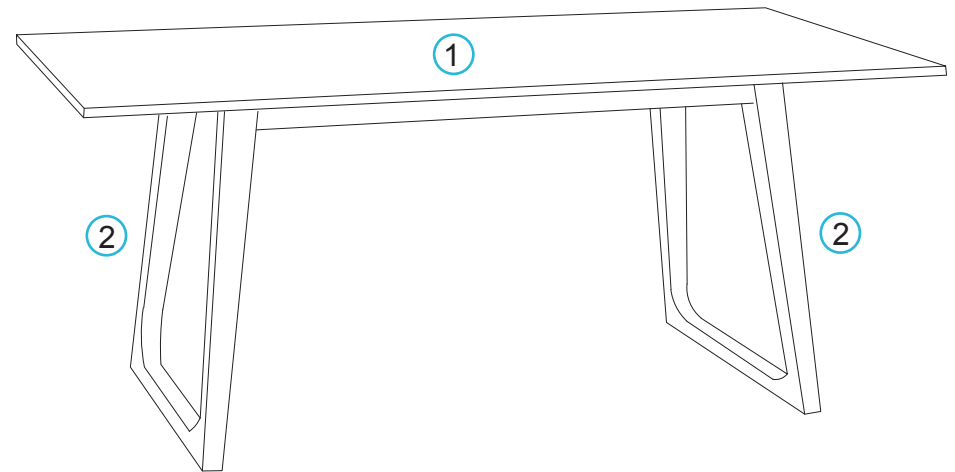
mocka

1



Carefully turn the table top [1] upside down. Attach the legs [2] using 12x screws (A), 12x spring washers (B) and 12x flat washers (C) as shown. Tighten with the allen key (D).

2



Carefully turn the table onto its legs, ensuring it's balanced and steady before use. You're done, enjoy!