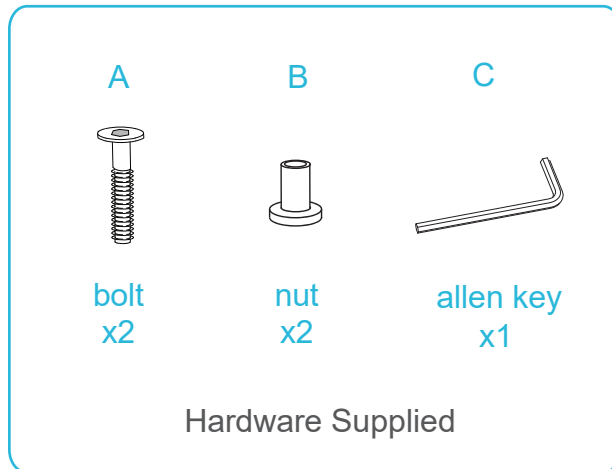


# Mocka Moova

## Assembly Instructions

# mocka

Thank you for your purchase.  
Please follow the instructions below for correct assembly.



**Warning:** Small parts are used to assemble the Mocka Moova and should only be assembled by an adult. Keep all assembly parts away from small children.



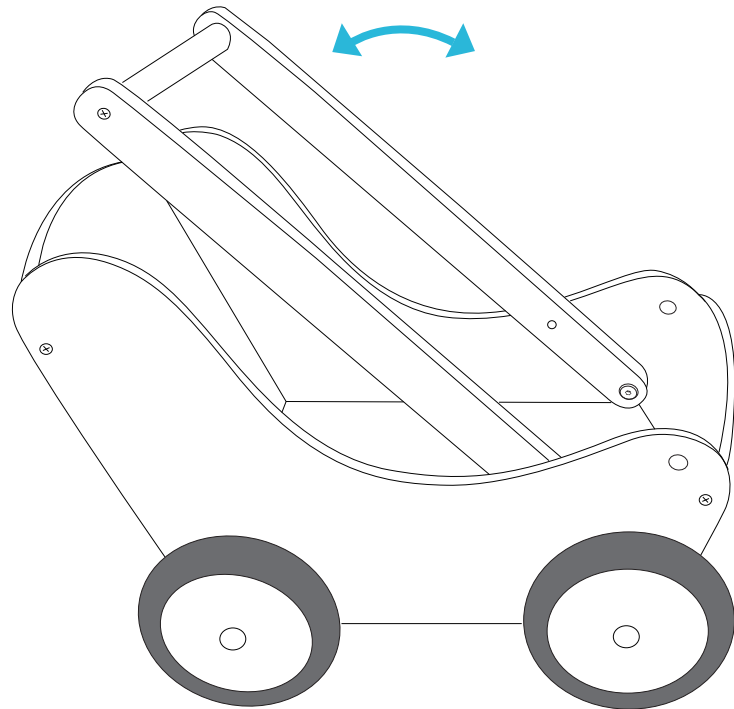
For ages 12 months +  
This toy must be assembled by an adult.

# Mocka Moova

## Assembly Instructions

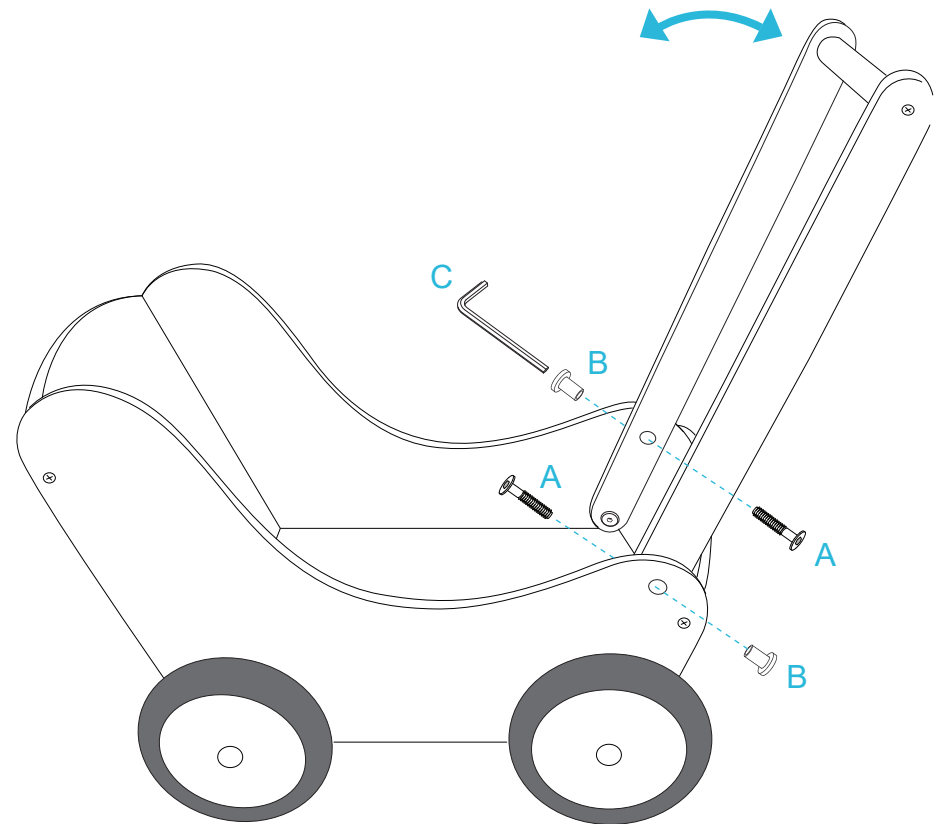
mocka

1



Remove the bolts from the pre-attached handle with 1x allen key (C).  
Move the handle into the correct place.

2



Re-attach the handle using 2x bolts (A) and 2x nuts (B) as shown.  
Tighten with the allen key (C). You're done, enjoy!