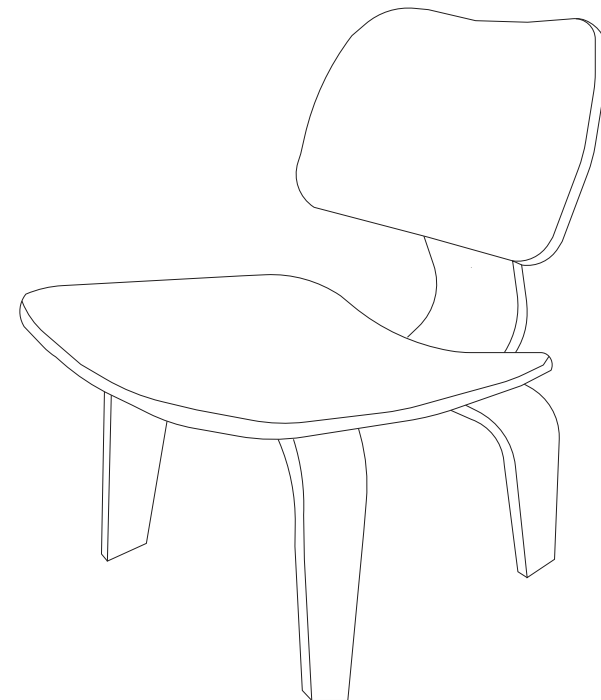
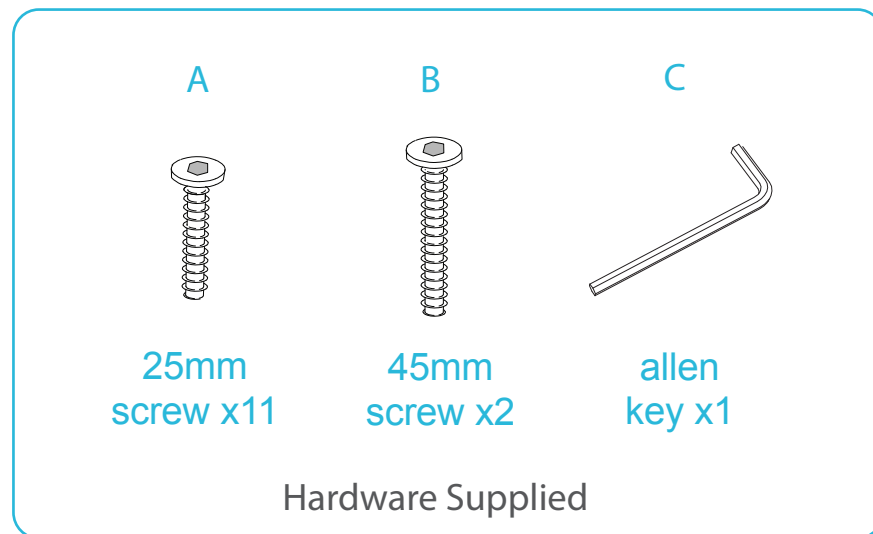


Basse Chair

Assembly Instructions

Thank you for your purchase.
Please follow the instructions below for correct assembly.

mocka

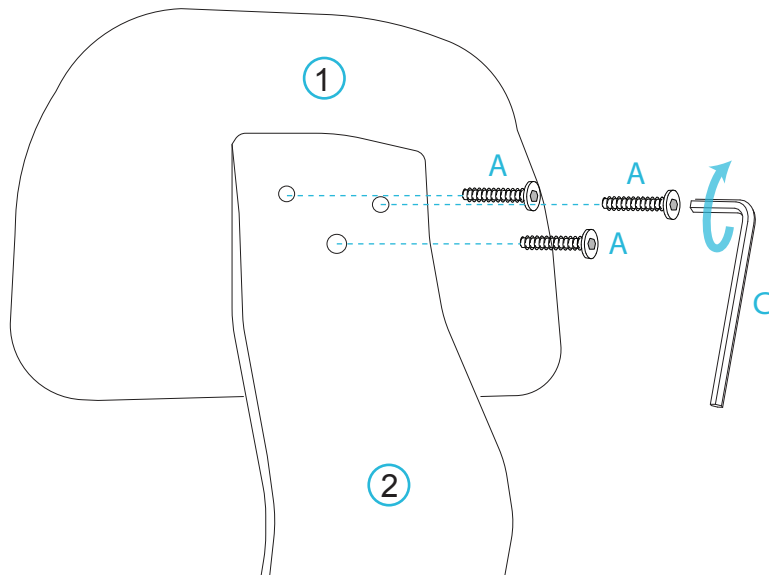


Basse Chair

Assembly Instructions

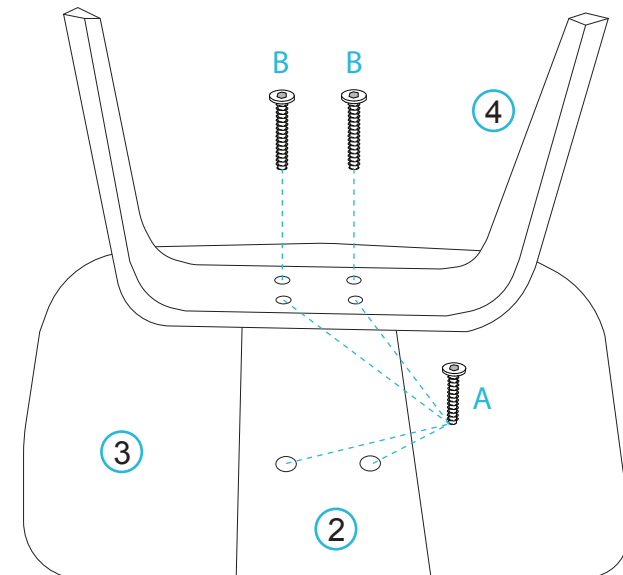
mocka

1



Attach panel [1] to panel [2] with 3x 25mm screws (A) and tighten with the allen key (C).

2



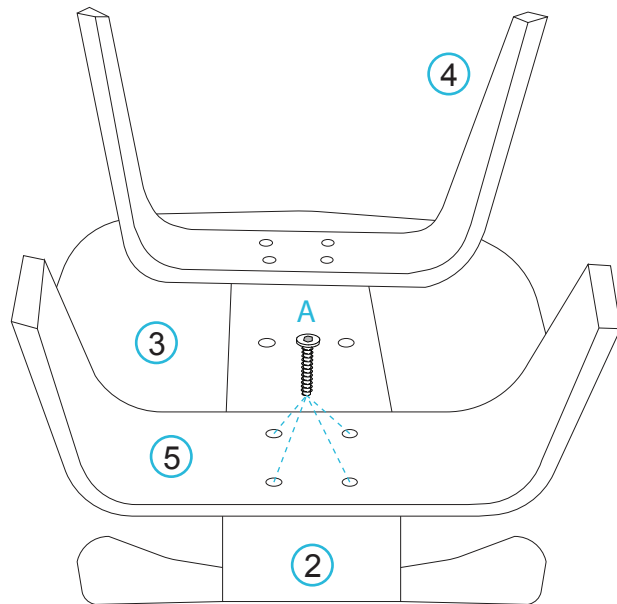
Attach panel [2] to panel [3] with 2x 25mm screws (A), then attach panel [4] with 2x 25mm (A) screws and 2x 45mm screws (B) as shown. Tighten with the allen key (C).

Basse Chair

Assembly Instructions

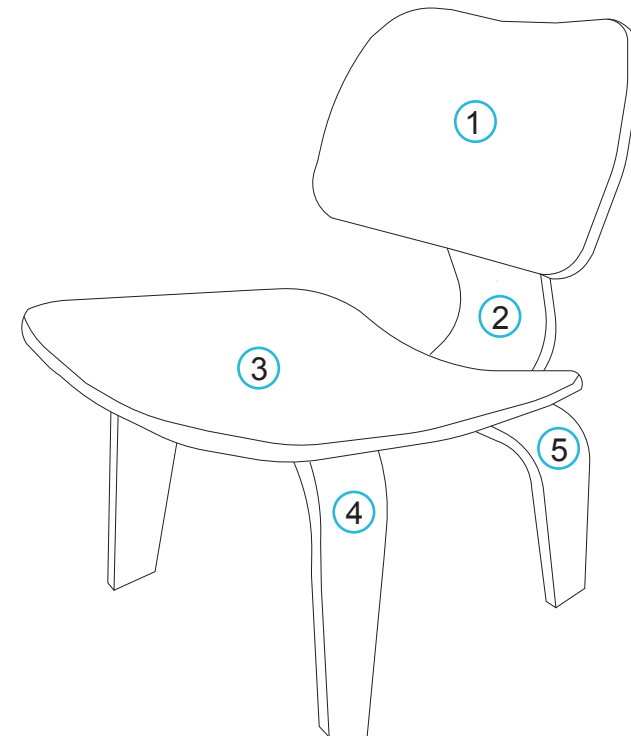
mocka

3



Attach panel [5] to panel [2] with 4x 25mm screws (A) and secure with the allen key.

4



You're done, enjoy!