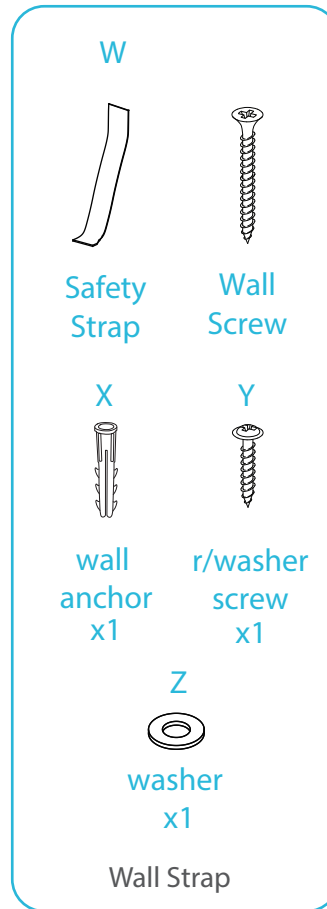
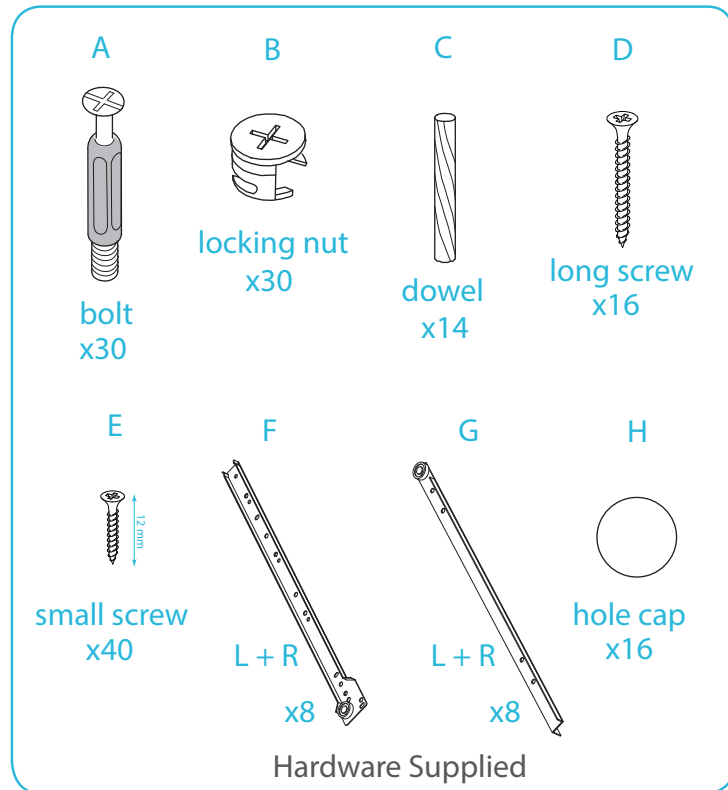


Brooklyn Midi Drawers

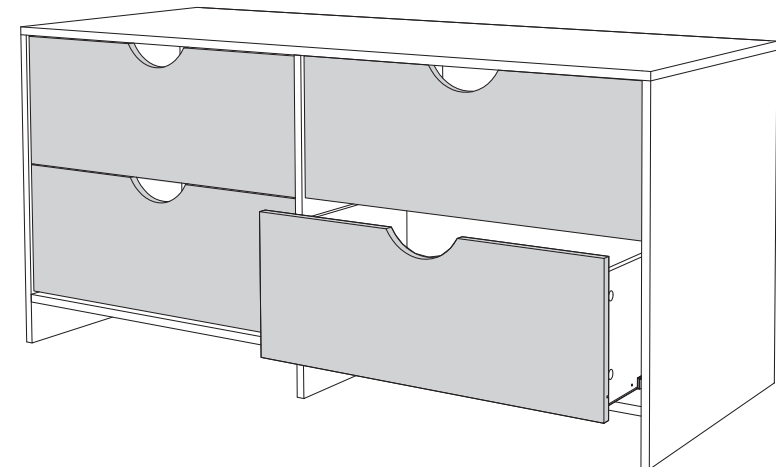
Assembly Instructions

Thank you for your purchase.
Please follow the instructions below for correct assembly.

mocka



WARNING: Any furniture that is not anchored to a wall has the potential to tip over in certain circumstances, i.e. if a child attempts to climb up on the furniture or in the event of an earthquake. Accordingly, we recommend that all furniture is anchored to a wall. We supply a free safety wall anchor with all furniture sold and we recommend these are used to prevent your product tipping. The fixing device provided should fit most wall types, but please note that different wall materials may require different fixing devices from those supplied.



Once assembly is complete, please **DO NOT** drag the product (lift only to move). Dragging may damage this product.

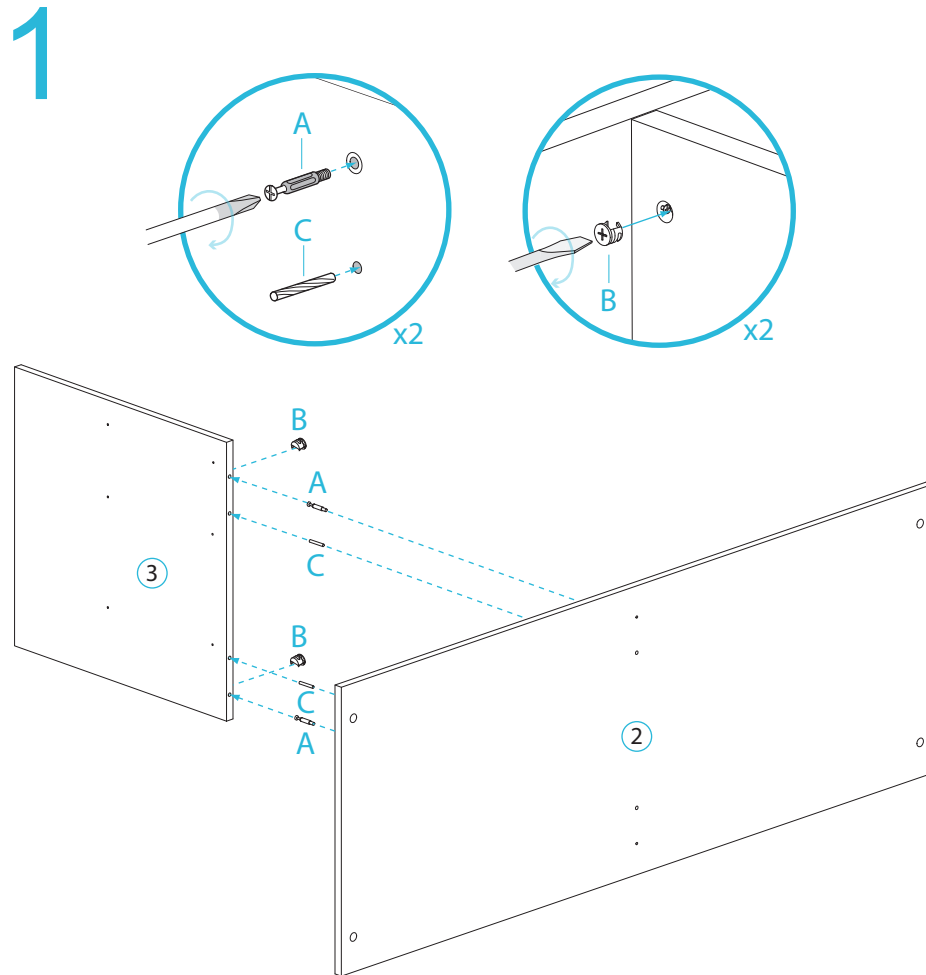


*We recommend using a Flathead screwdriver to tighten all locking nuts 100% before first use.

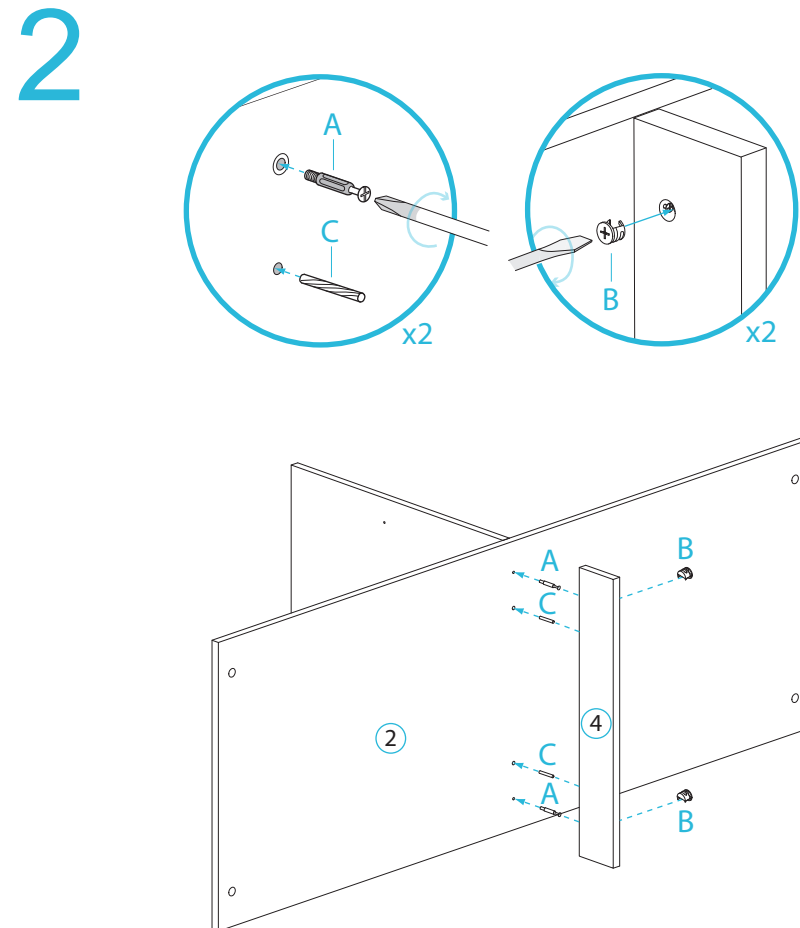
Brooklyn Midi Drawers

Assembly Instructions

mocka



Screw in bolts (A) and insert dowels (C) into holes in panel [2]. Slot together with panel [3] as shown. Place locking nuts (B) into corresponding holes and tighten with a screwdriver



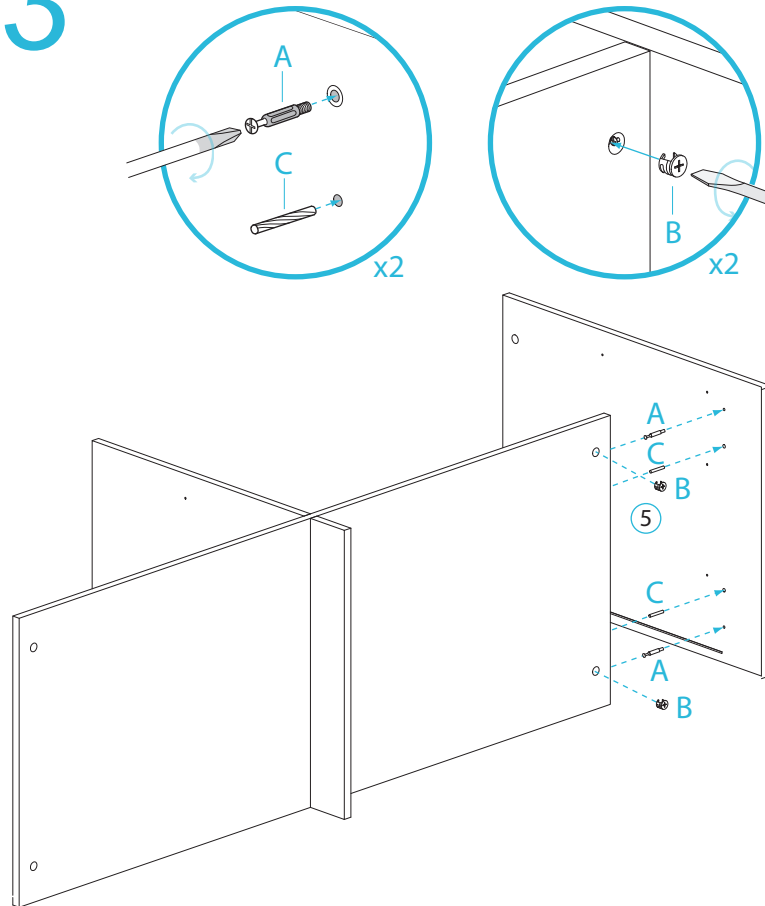
Screw in bolts (A) and insert dowels (C) into holes in panel [2]. Slot together with panel [4] as shown. Place locking nuts (B) into holes in panel [4] and tighten with a screwdriver.

Brooklyn Midi Drawers

Assembly Instructions

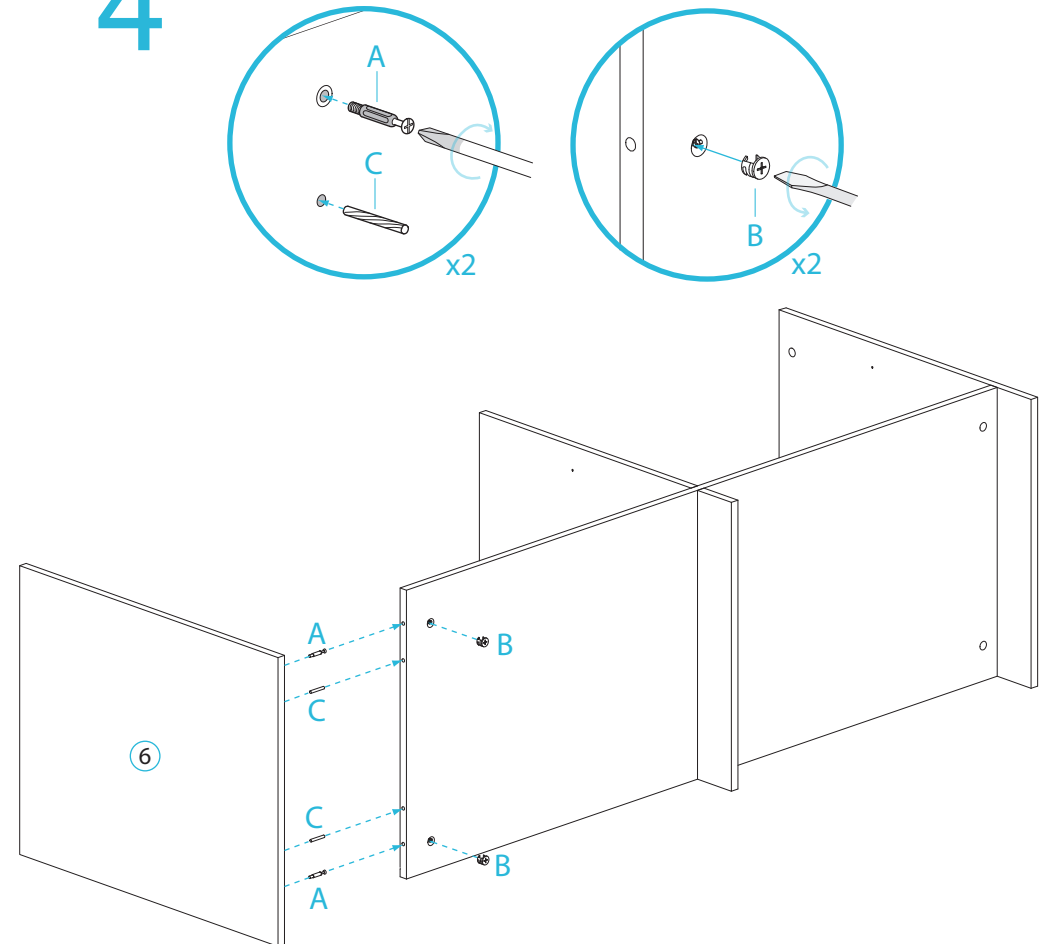
mocka

3



Screw in 2x bolts (A) and insert 2x dowels (C) into holes in panel [5]. Slot together with the rest of the structure as shown. Place 2x locking nuts (B) into holes in the panels and tighten with screwdriver.

4

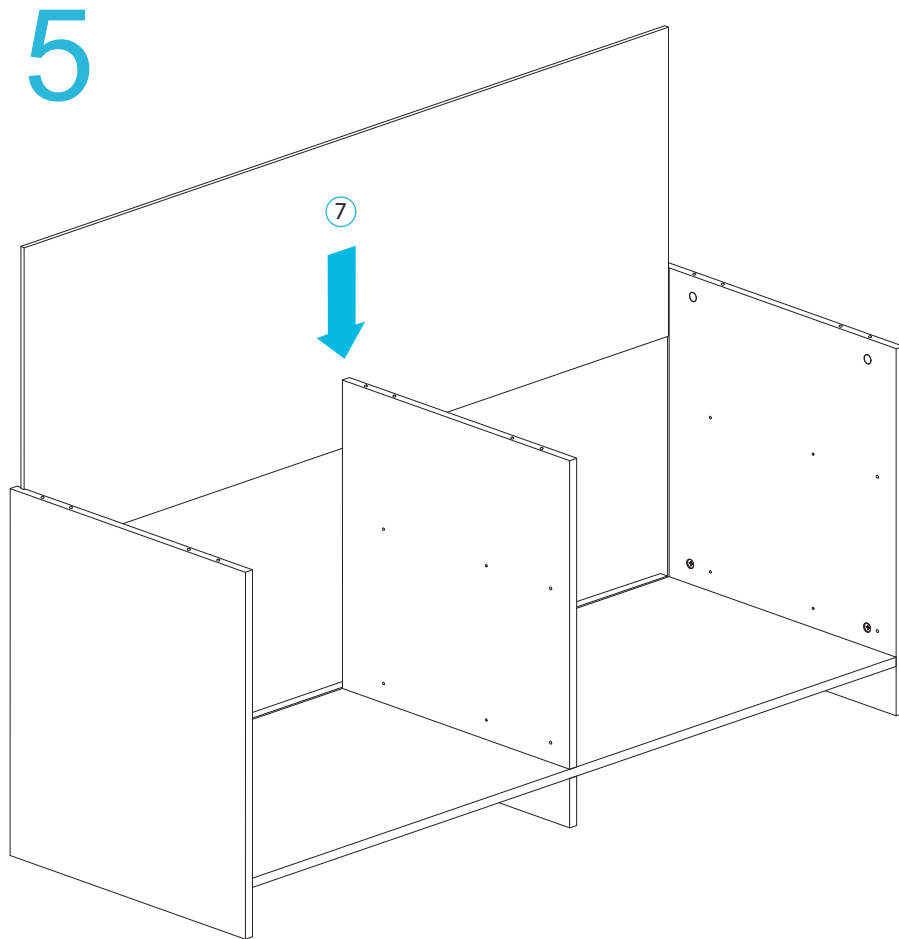


Screw in 2x bolts (A) and insert 2x dowels (C) into holes in panel [6]. Slot together with the rest of the structure as shown. Place 2x locking nuts (B) into holes in the panel and tighten with a screwdriver.

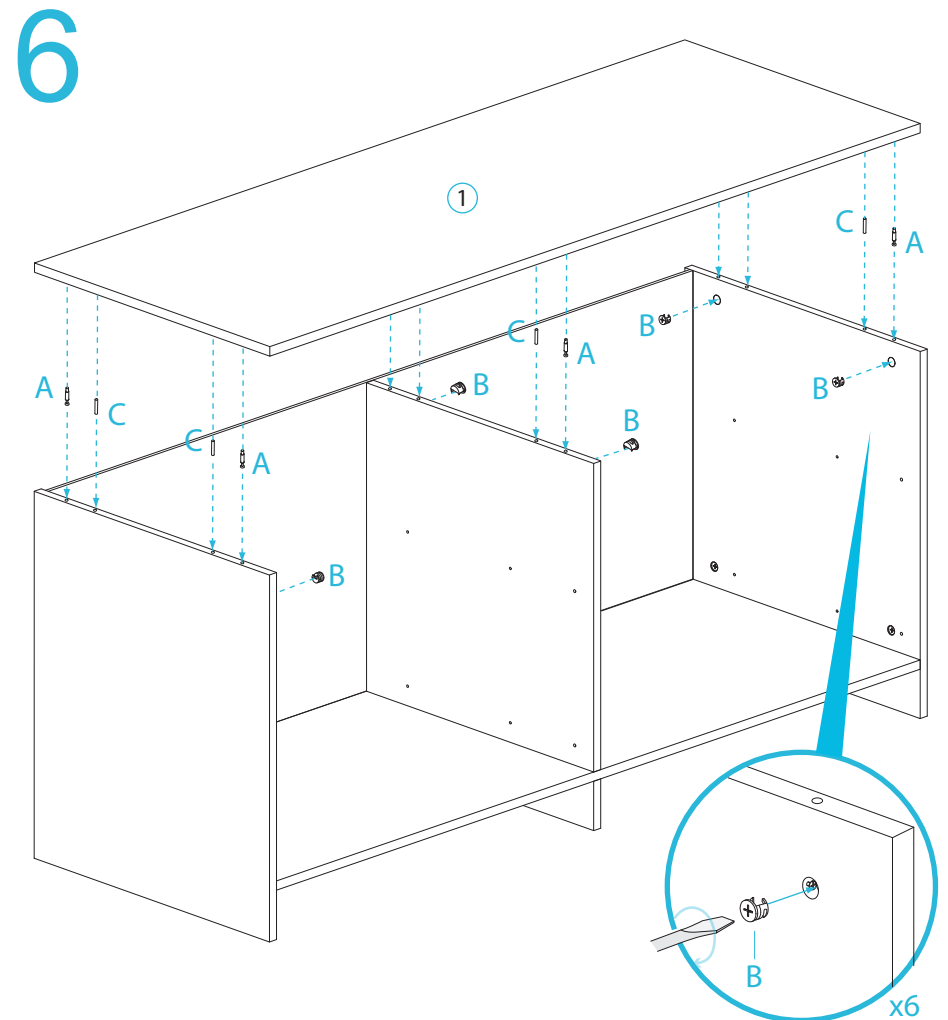
Brooklyn Midi Drawers

Assembly Instructions

mocka



Slot back panel [7] into grooves on the back of the unit. Ensure the panel is aligned and slides down into place.



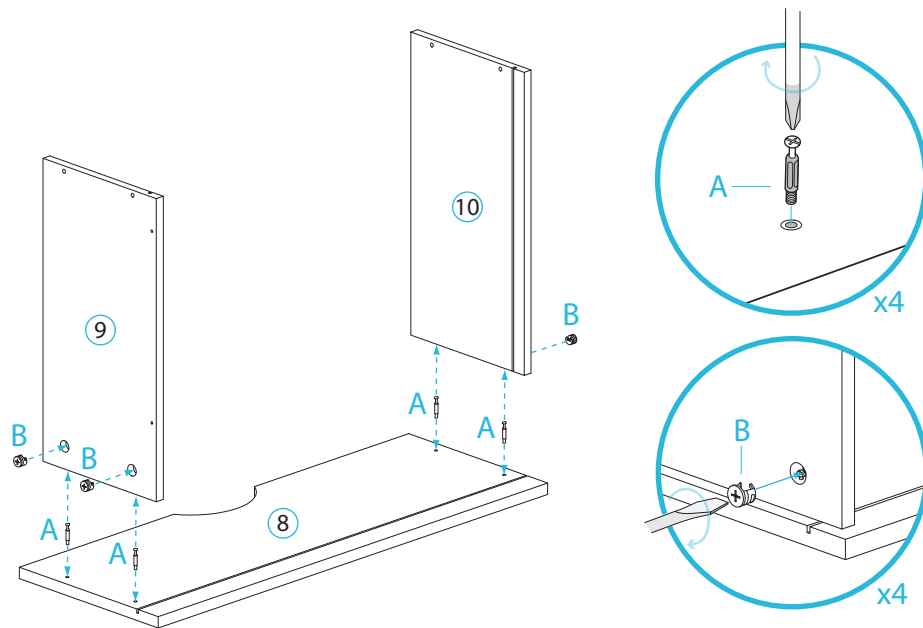
Screw 6x bolts (A) and insert 6x dowels (C) into holes in panel [1]. Slot together with top panels [3], [5] and [6] as shown. Place 6x locking nuts (B) into corresponding holes and tighten with a screwdriver.

Brooklyn Midi Drawers

Assembly Instructions

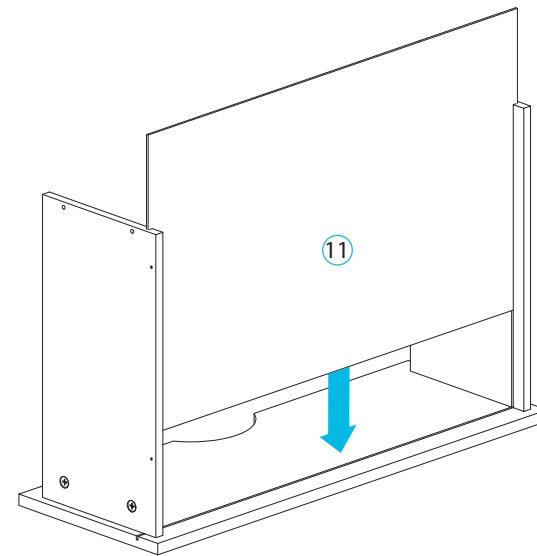
mocka

7 Drawers (x4)



To assemble the drawers, first screw 4x bolts (A) into front panel [8]. Fit panels [9] and [10] over the bolts as shown, ensuring the grooves in the panels face inwards. Secure using 4x locking nuts (B) and tighten with a screwdriver.

8 Drawers (x4)



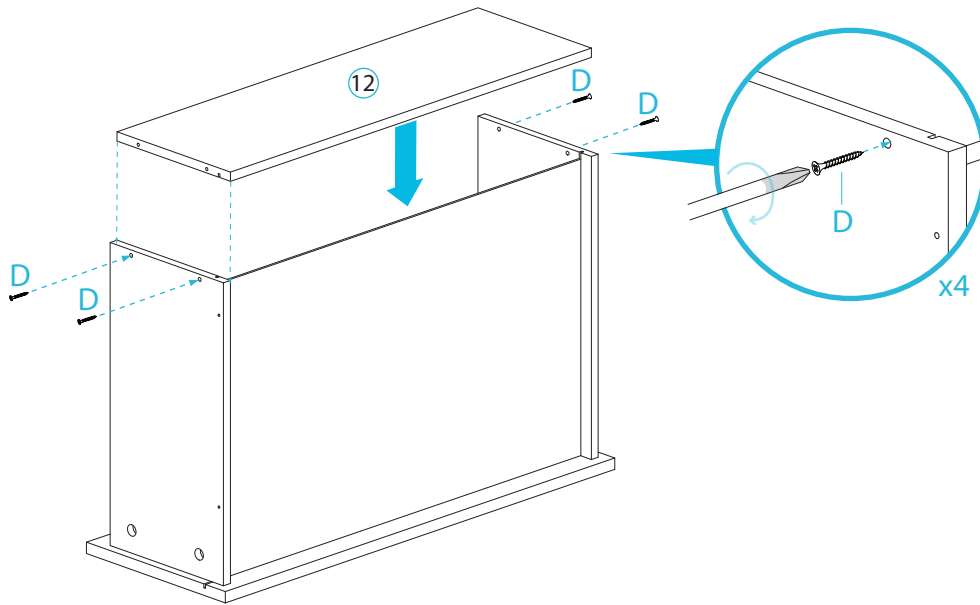
Slot panel [11] down into the grooves in the side and front panels.

Brooklyn Midi Drawers

Assembly Instructions

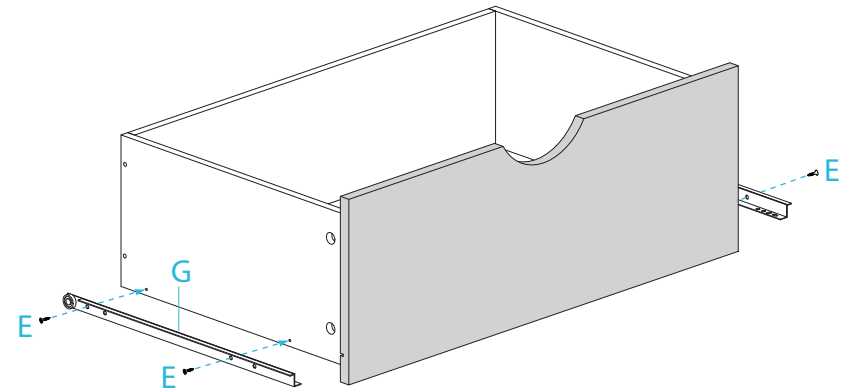
mocka

9 Drawers (x4)



Place back panel [12] into position and fasten into place using 4x screws (D).

10 Drawers (x4)



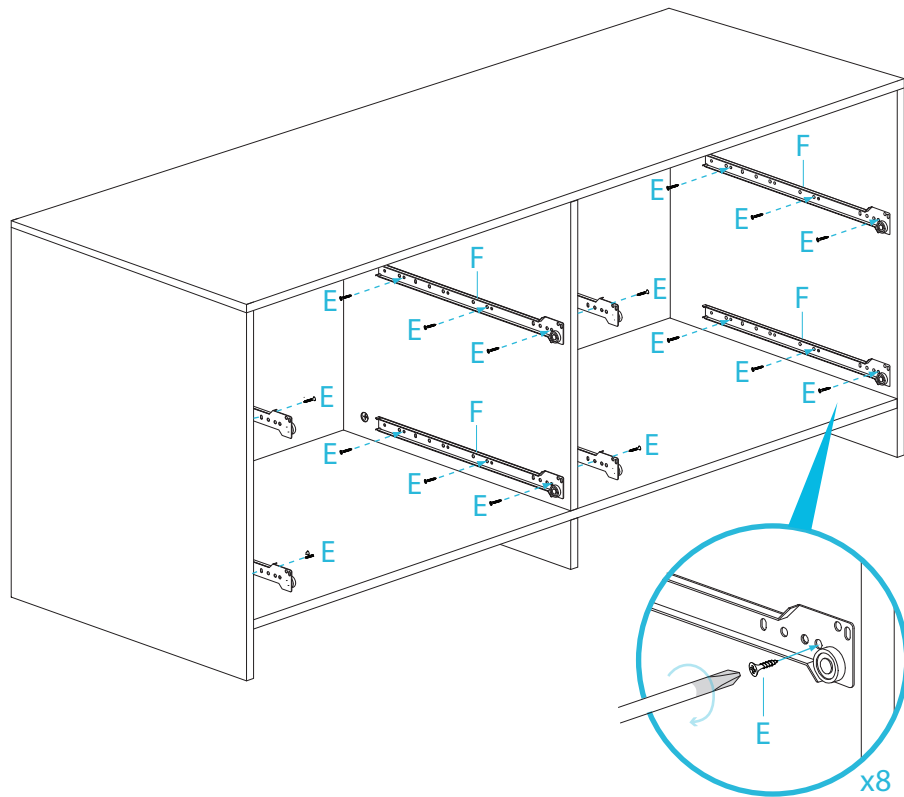
Attach rail hardware (G) to both left and right side of the drawer using screws (E). Repeat Steps 7 to 10 until all four drawers are fully assembled.

Brooklyn Midi Drawers

Assembly Instructions

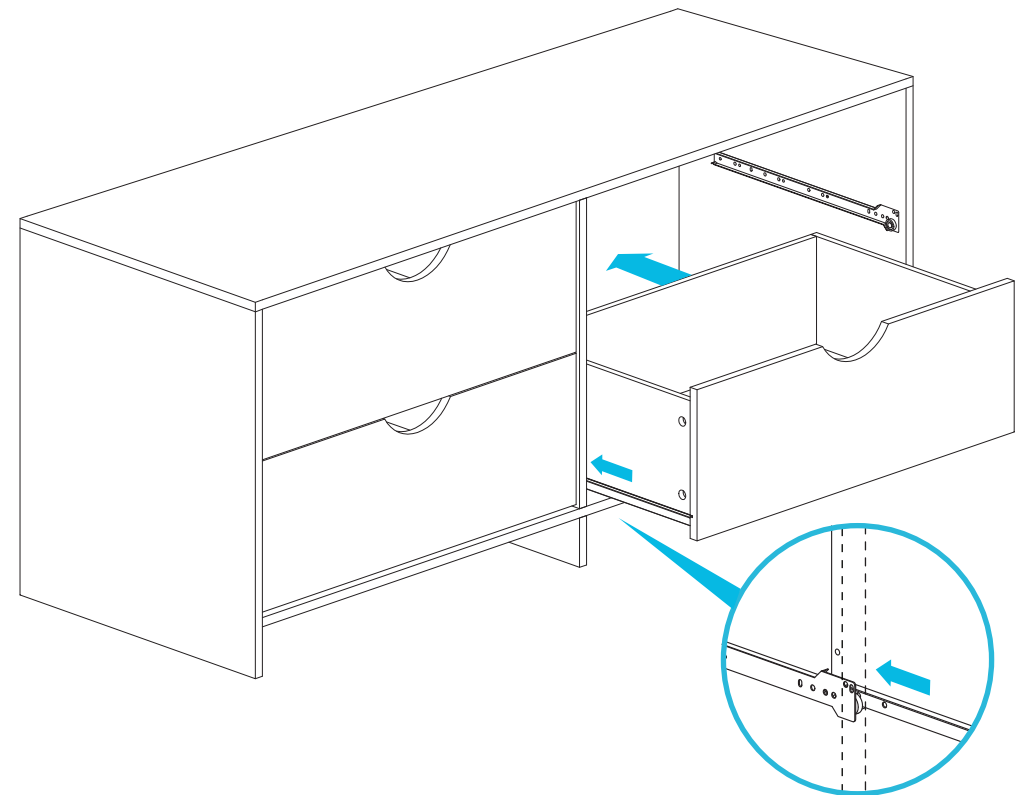
mocka

11



Attach 8x slide rails (F) inside cabinet using 3x small screws (E) in each rail. Fasten all screws with a screwdriver.

12



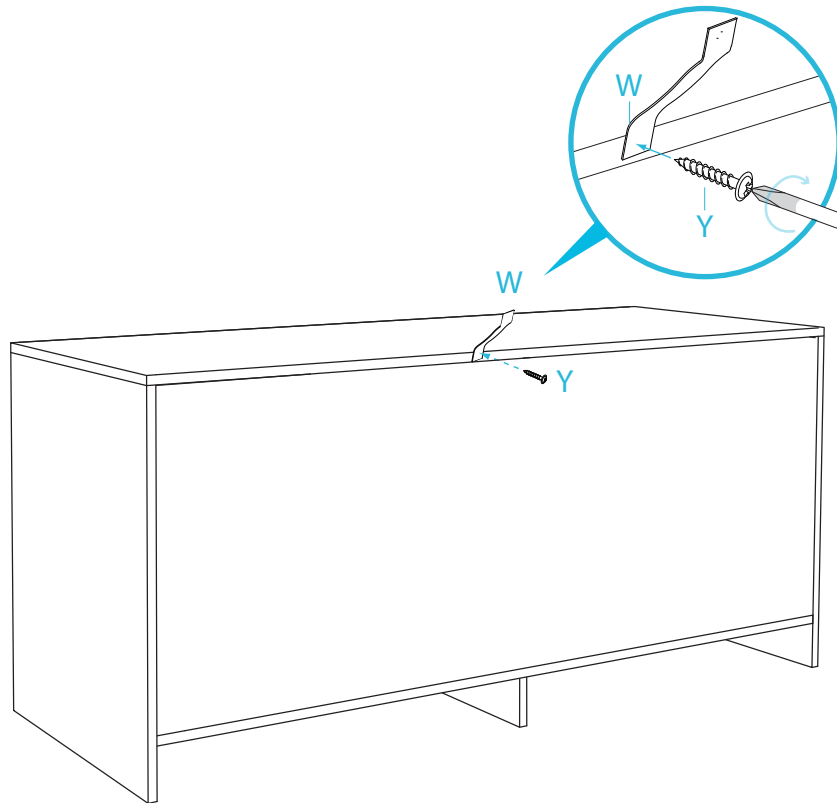
Slide all four completed drawers into place on the rails in the cabinet. Ensure they easily slide open and closed.

Brooklyn Midi Drawers

Assembly Instructions

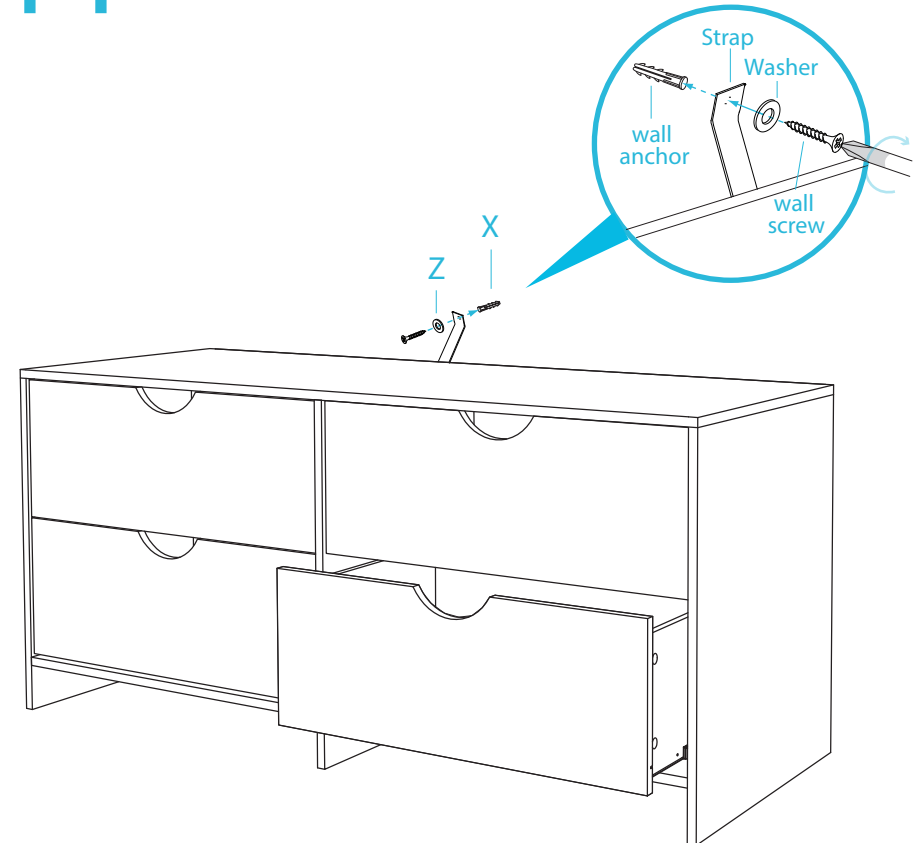
mocka

13 Safety Strap



Attach 1x safety strap (W) to the top of the back side of the unit using 1x r/washer screw (Y). Tighten with a screwdriver.

14



Once assembled lift furniture into place, do not drag. Use a drill to create a small hole lining up with the top of the safety strap (W). Fasten to wall using 1x wall anchor (X), 1x washer (Z) and 1x wall 8 screw. Ensure unit is balanced and steady before use. You're done