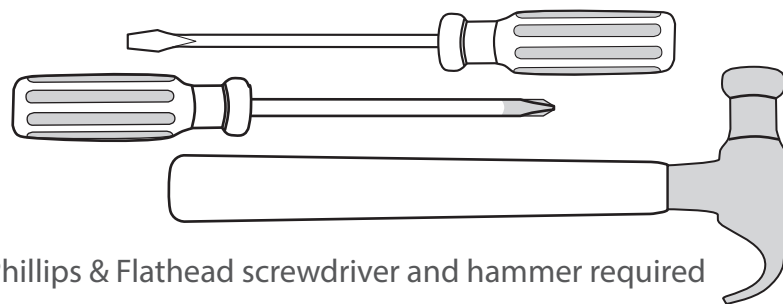
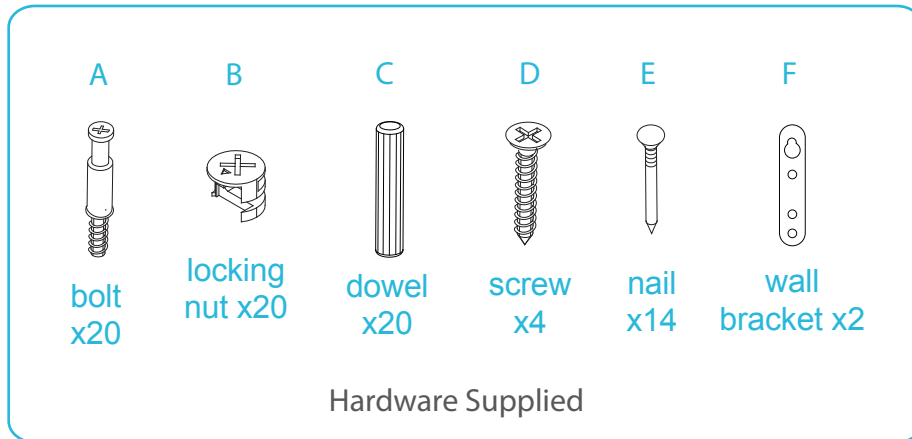


Luna Cube 6

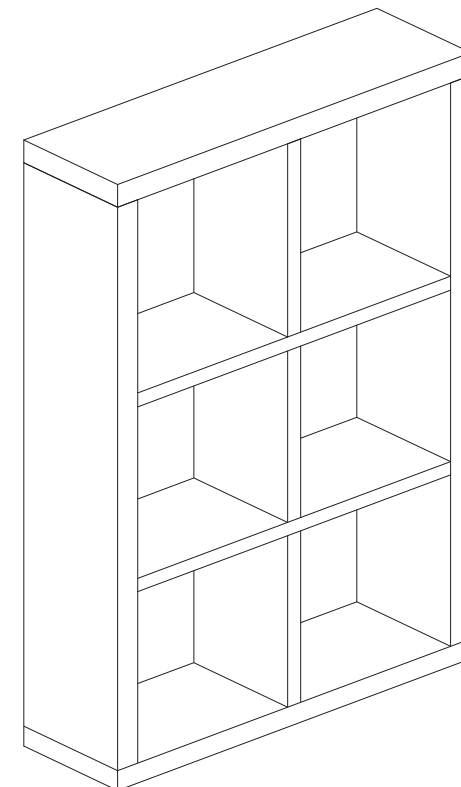
Assembly Instructions

mocka

Thank you for your purchase.
Please follow the instructions below for correct assembly.



WARNING: Any furniture that is not anchored to a wall has the potential to tip over in certain circumstances, i.e. if a child attempts to climb up on the furniture or in the event of an earthquake. We recommend that all furniture is anchored to a wall. We supply a free safety wall anchor with all furniture sold and we recommend these are used to prevent your product tipping. The fixing device provided should fit most wall types, but please note that different wall materials may require different fixing devices from those supplied.



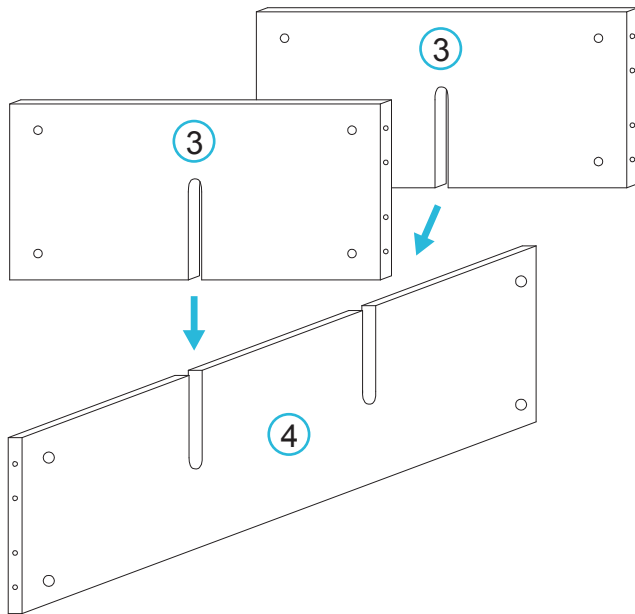
*We recommend using a Flathead screwdriver to tighten all locking nuts 100% before first use.
Please clear any loose wood from the locking nut holes before inserting the nut to ensure it locks 100%.

Luna Cube 6

Assembly Instructions

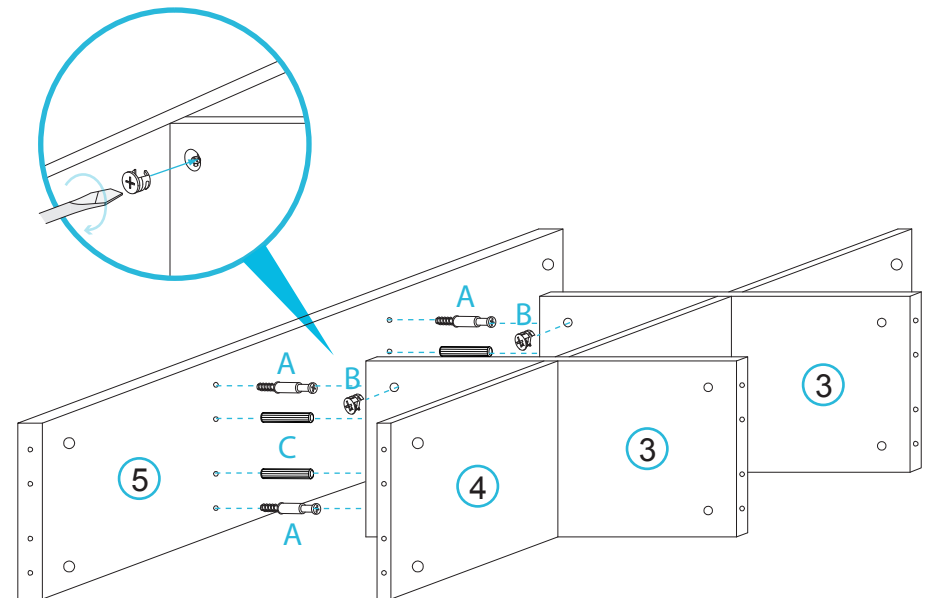
mocka

1



Slot 2x panels [3] into the grooves of panel [4] as shown.

2



Insert 4x bolts (A) and 4x dowels (C) into panel [5]. Attach to panels [3] with 4x locking nuts (B) and tighten with a screwdriver.

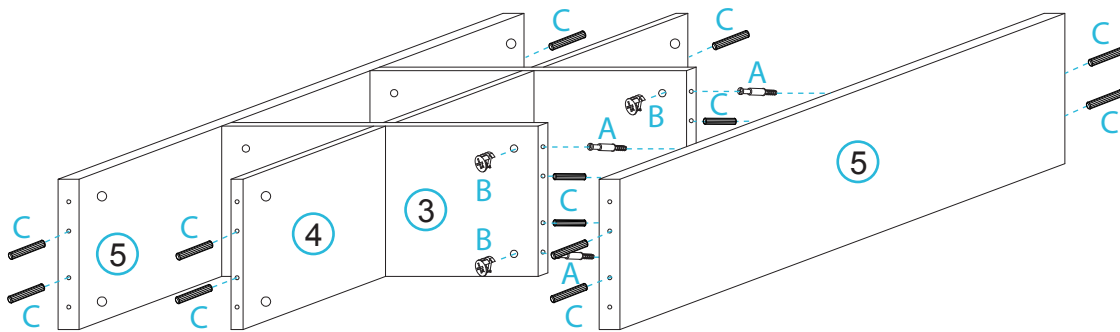
Luna Cube 6

Assembly Instructions

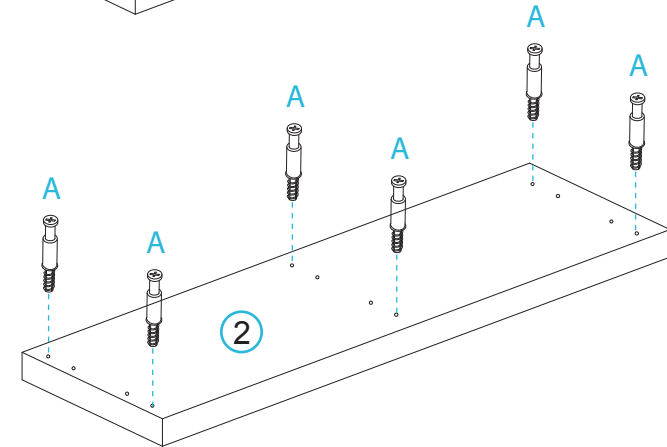
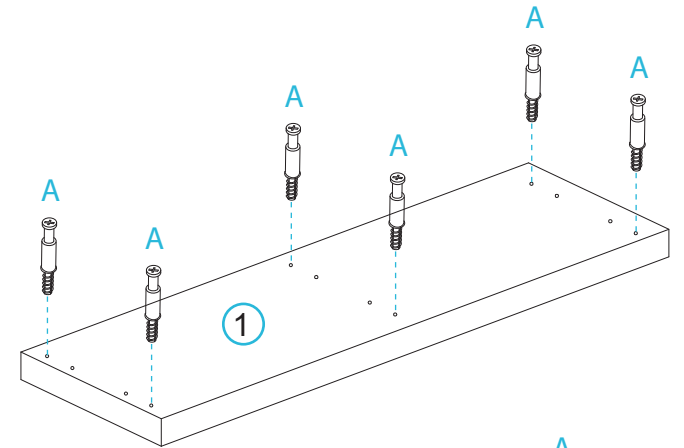
mocka

3

4



Insert 4x bolts (A) and 4x dowels (C) into panel [5]. Attach to the rest of the unit with 4x locking nuts (B) and tighten with a screwdriver. Now insert 12x dowels (C) into the ends of the panels.



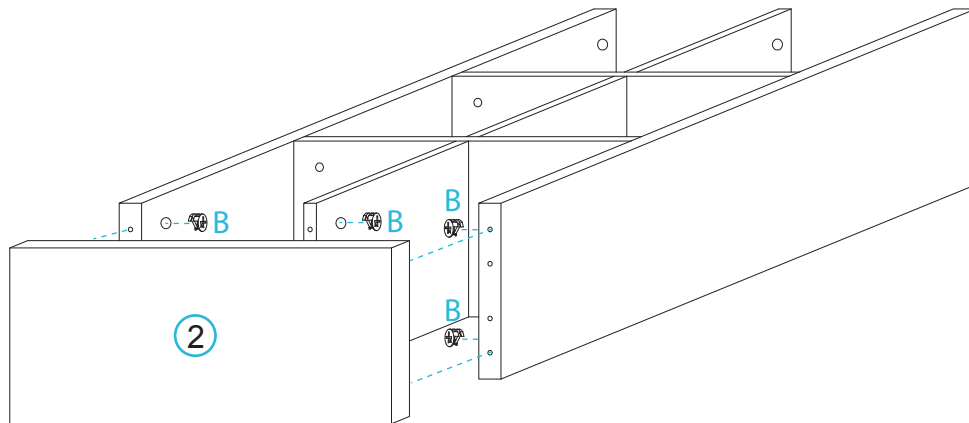
Insert 12x bolts (A) into panels [1] and [2].

Luna Cube 6

Assembly Instructions

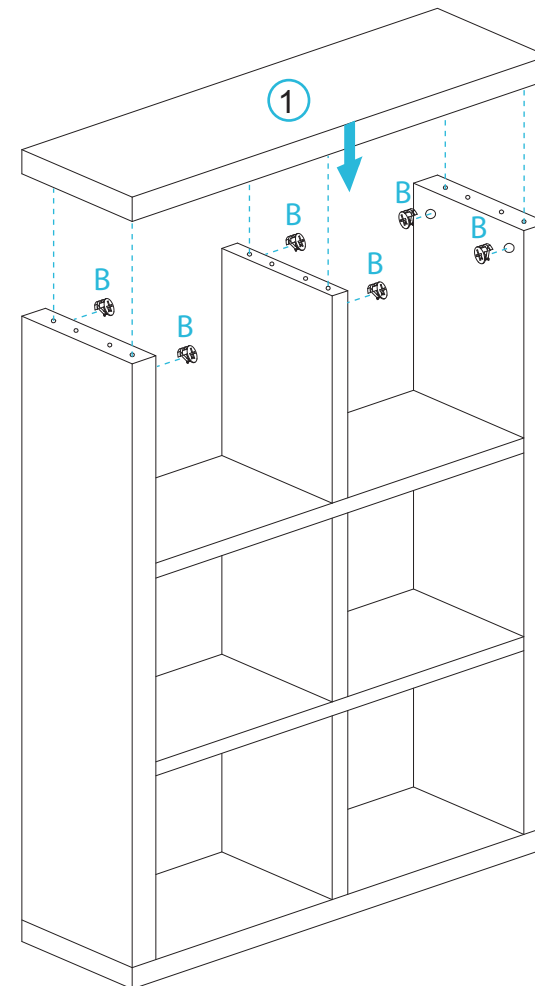
mocka

5



Attach panel [2] to the main unit with 6x locking nuts (B) and tighten with a screwdriver.

6



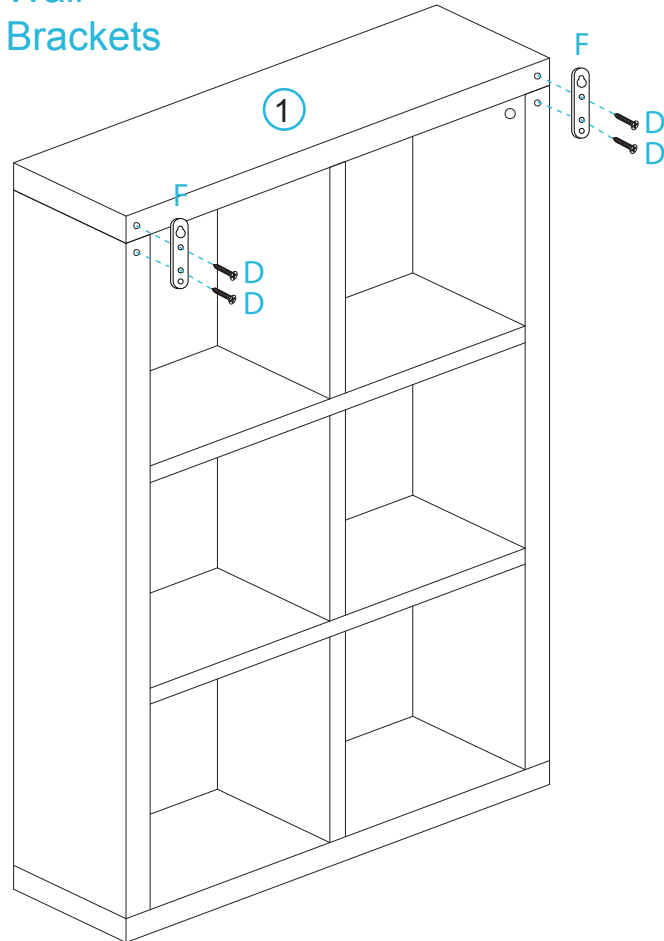
Attach panel [1] to the main unit with 6x locking nuts (B) and tighten with a screwdriver.

Luna Cube 6

Assembly Instructions

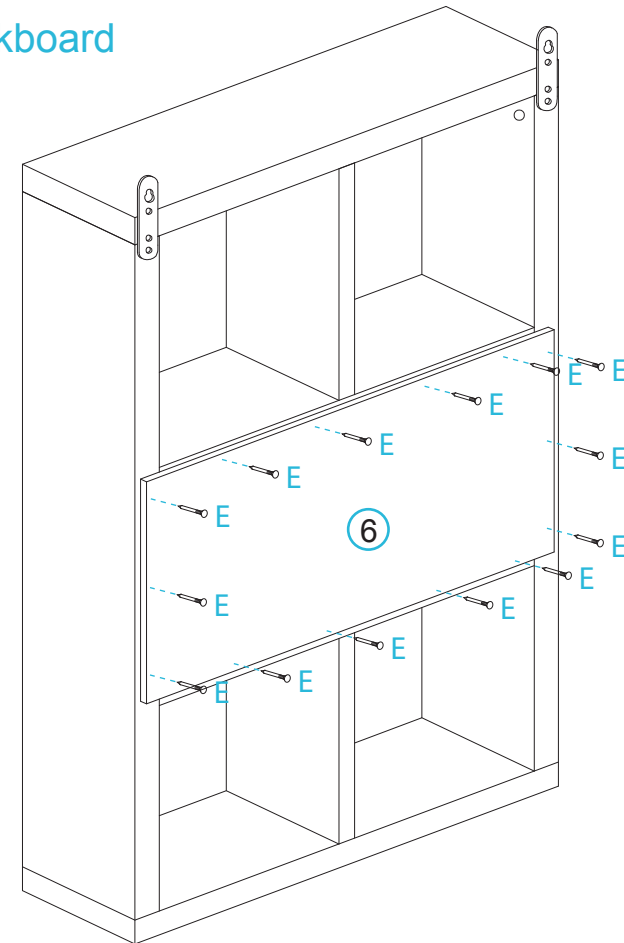
mocka

7 Wall Brackets



Once assembled lift furniture into place, do not drag. To attach the wall brackets, attach 2x wall brackets (F) to the back of the unit and secure with 4x screws (D). Tighten with a screwdriver.

8 Backboard



To attach the backboard, attach panels [6] to the back of the unit and secure with 28x nails using a hammer. You're done, enjoy!