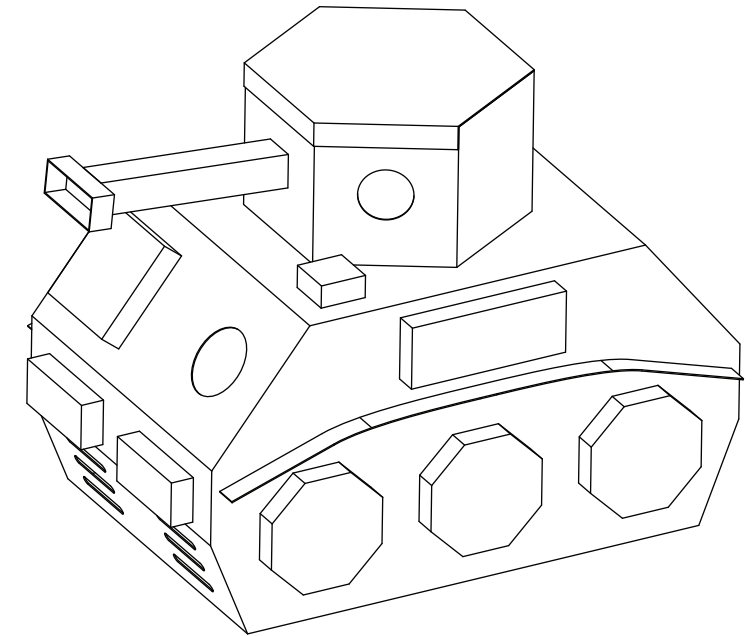
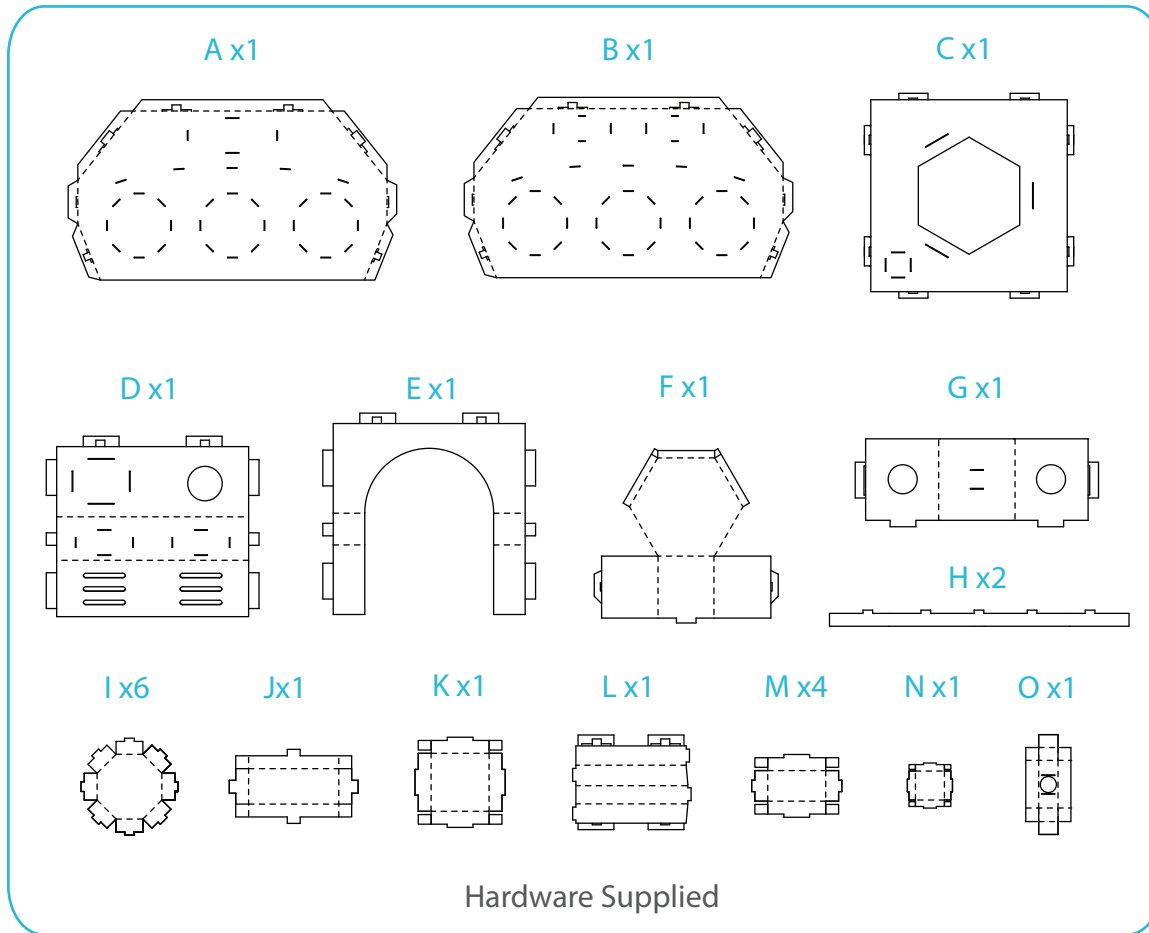


Cardboard Play & Colour - Tank

Assembly Instructions

mocka

Thank you for your purchase.
Please follow the instructions below for correct assembly.



WARNING: KEEP AWAY FROM FIRE/FLAME

ASSEMBLY OF THIS ITEM SHOULD BE PERFORMED BY AN ADULT ONLY

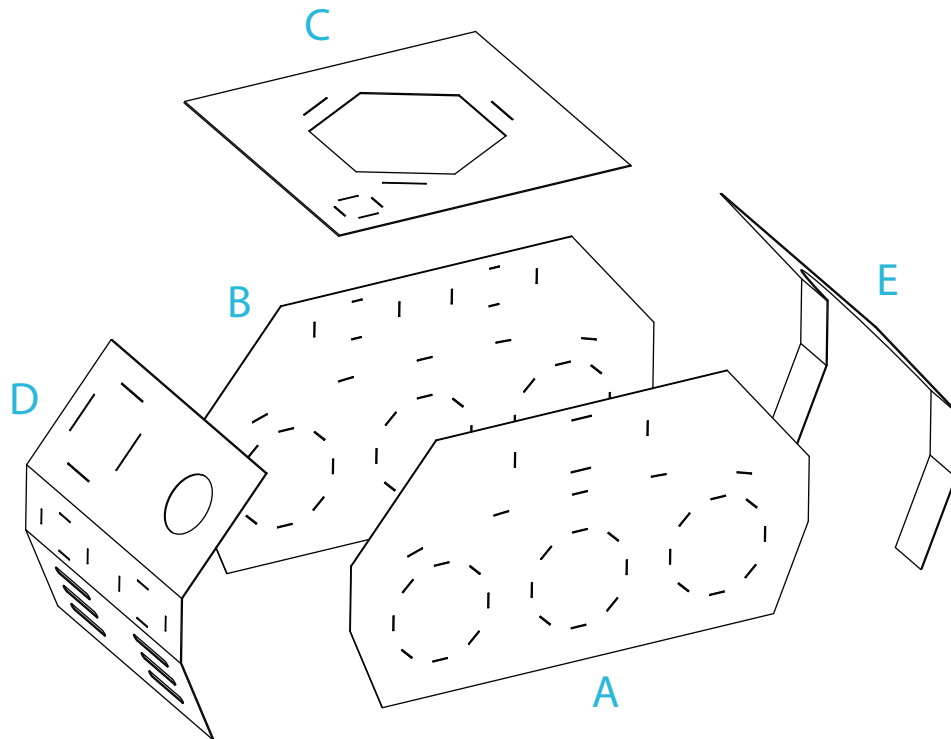
Before you begin assembly, pop out all excess cardboard from the tabs/holes and bend the grooves on each panel.

Cardboard Play & Colour - Tank

Assembly Instructions

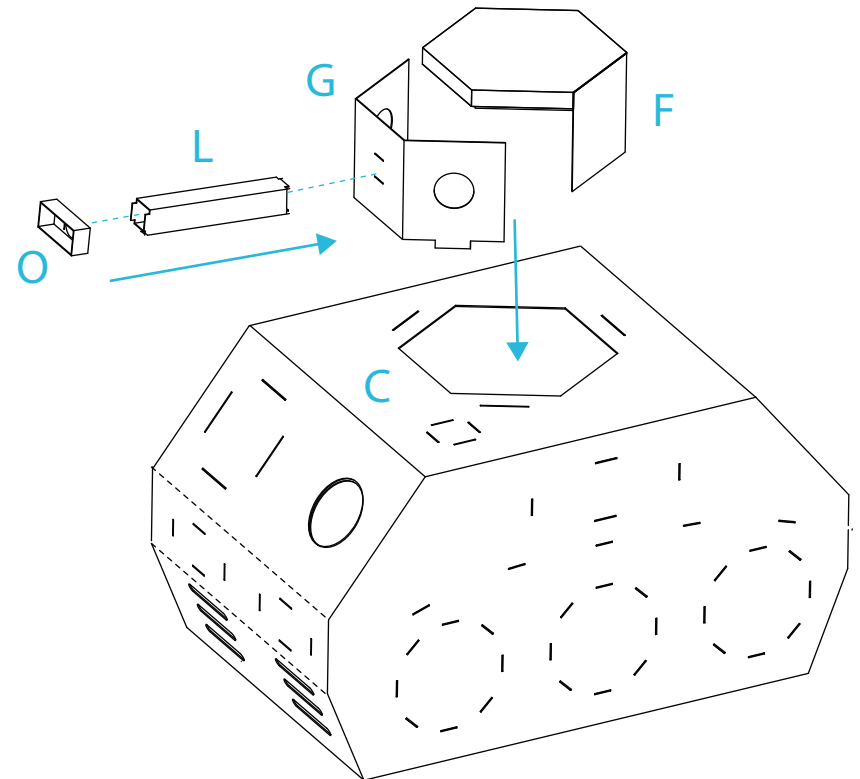
mocka

1



Attach parts (A), (B), (C), (D) and (E) together as shown by slipping the tabs into the holes.

2



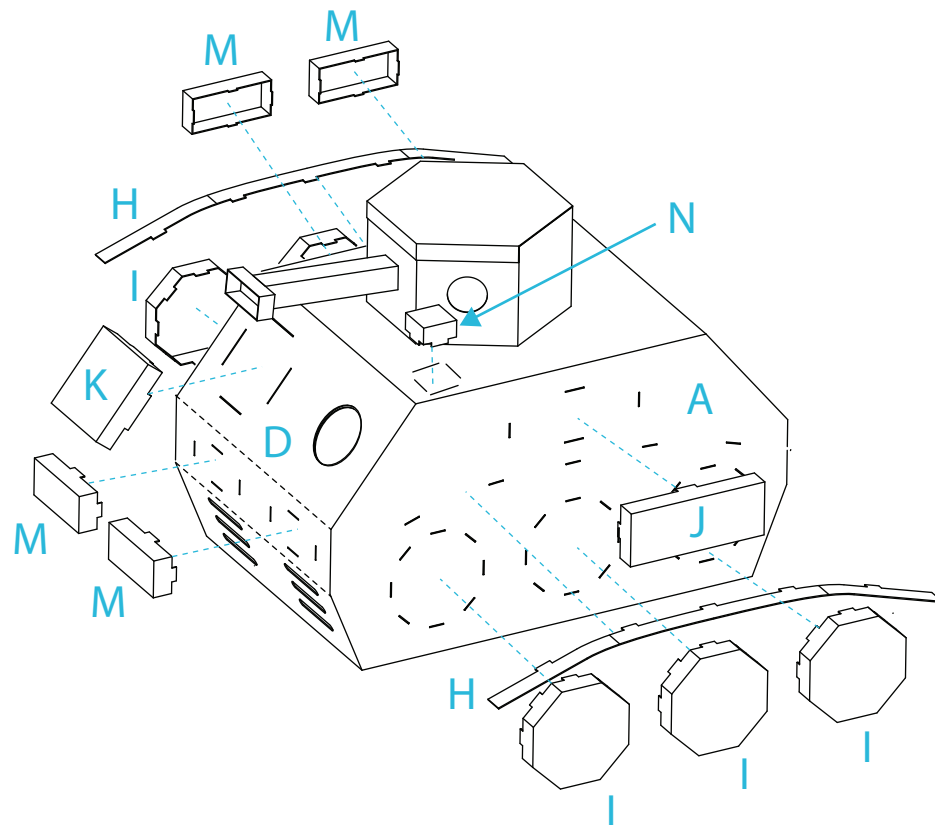
Attach part (G) to (F). Attach part (O) to (L) and then attach (L) to part (G). Attach parts (G) and (F) to (C).

Cardboard Play & Colour - Tank

Assembly Instructions

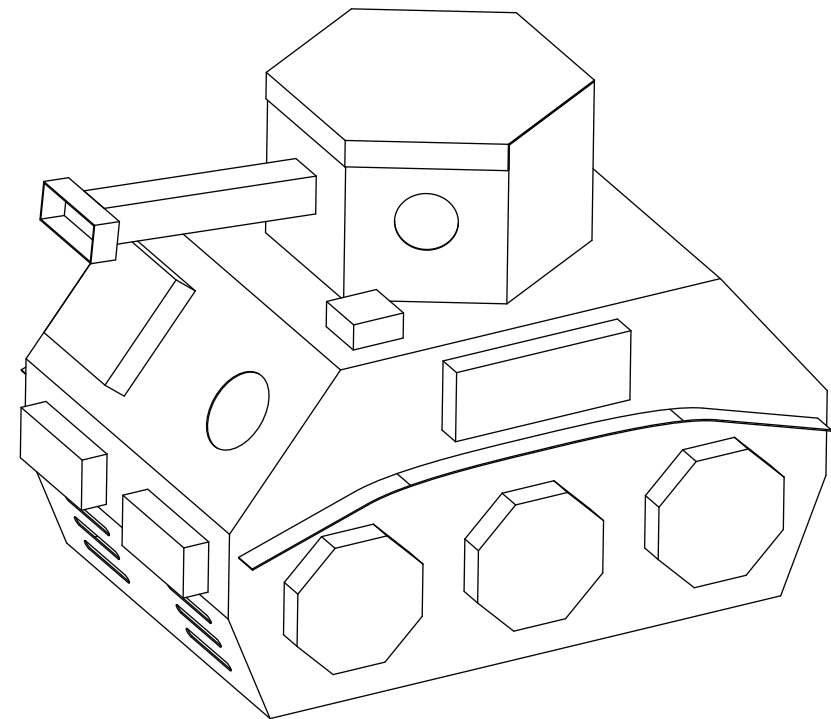
mocka

3



Attach parts (K) and 2x (M) to side (D). Attach 2x (M), 1x (H) and 3x (I) to side (B). Attach 1x part (J), 1x (H) and 3x (I) to side (A). Attach part (N) to part (C).

4



You're done, enjoy!