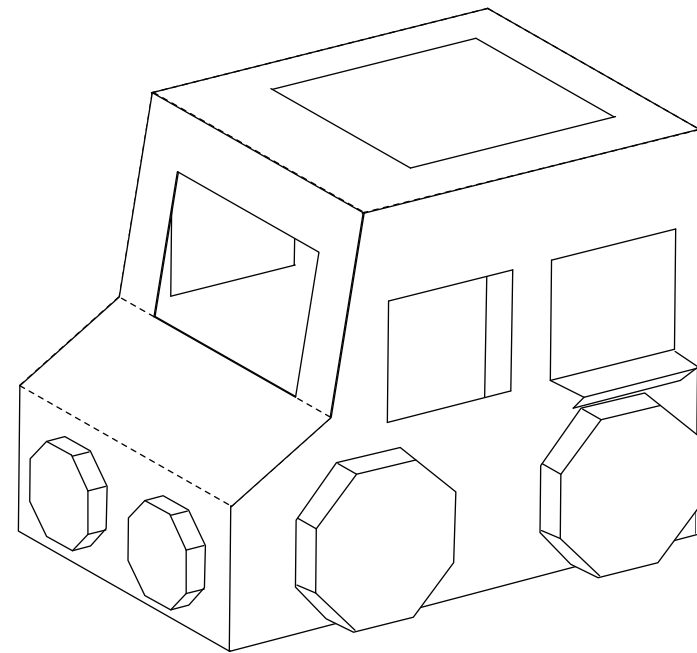
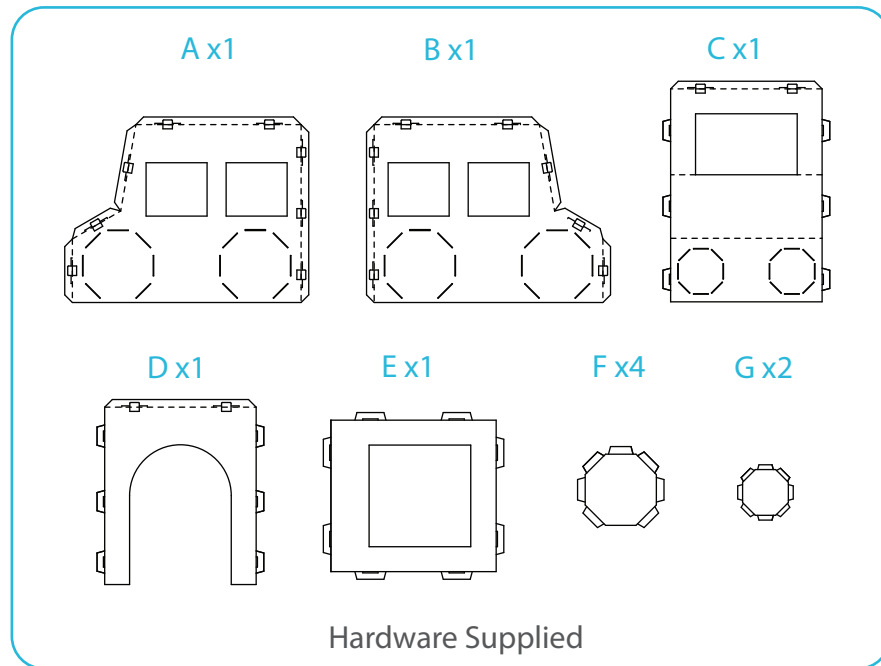


# Cardboard Play & Colour - Car

## Assembly Instructions

mocka

Thank you for your purchase.  
Please follow the instructions below for correct assembly.



Before you begin assembly, pop out all excess cardboard from the tabs/holes and bend the grooves on each panel.

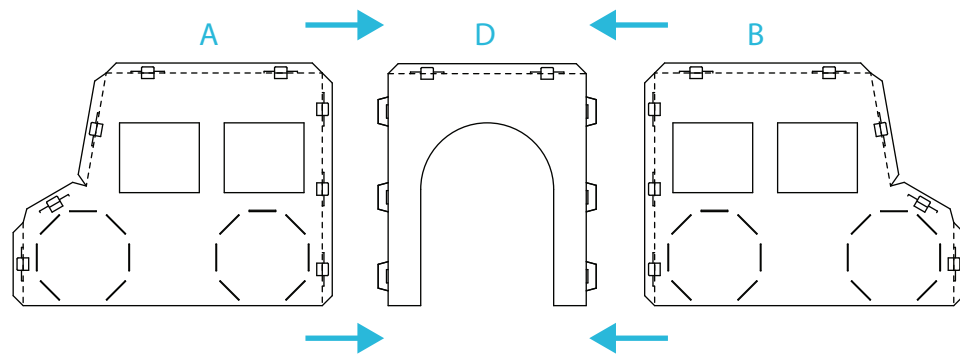
**WARNING: KEEP AWAY FROM FIRE/FLAME**  
**ASSEMBLY OF THIS ITEM SHOULD BE PERFORMED BY AN ADULT ONLY**

# Cardboard Play & Colour - Car

## Assembly Instructions

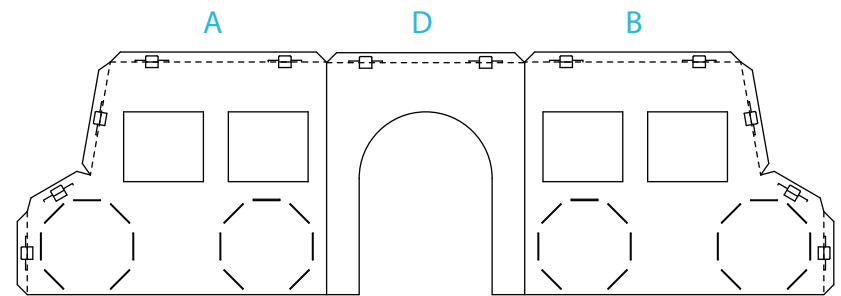
mocka

1



Attach parts (A) and (B) to part (D) by slipping the tags into the holes.

2



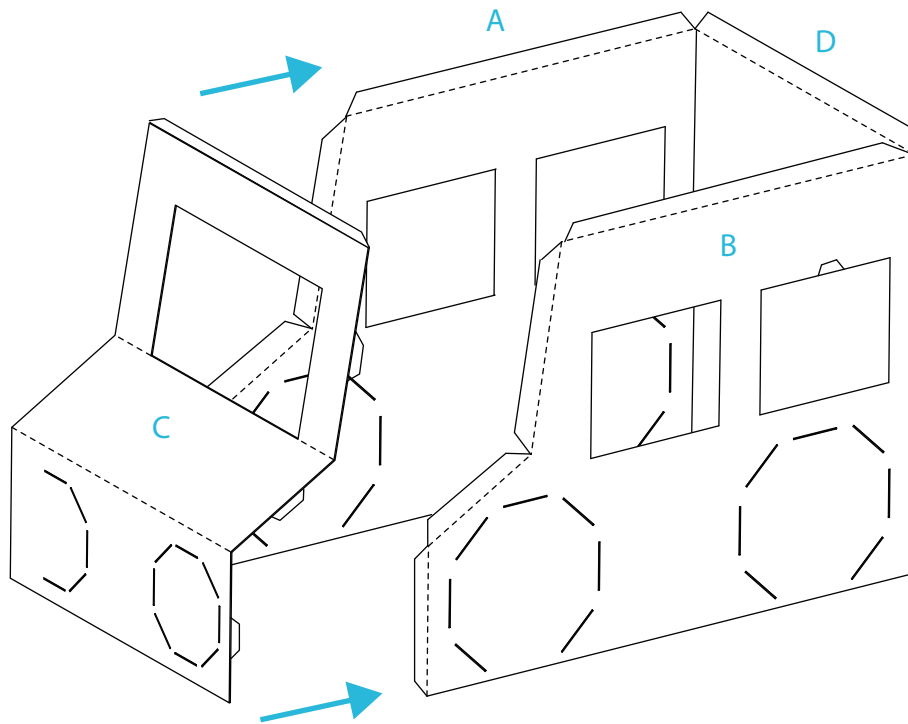
Ensure the parts are securely fastened together.

# Cardboard Play & Colour - Car

## Assembly Instructions

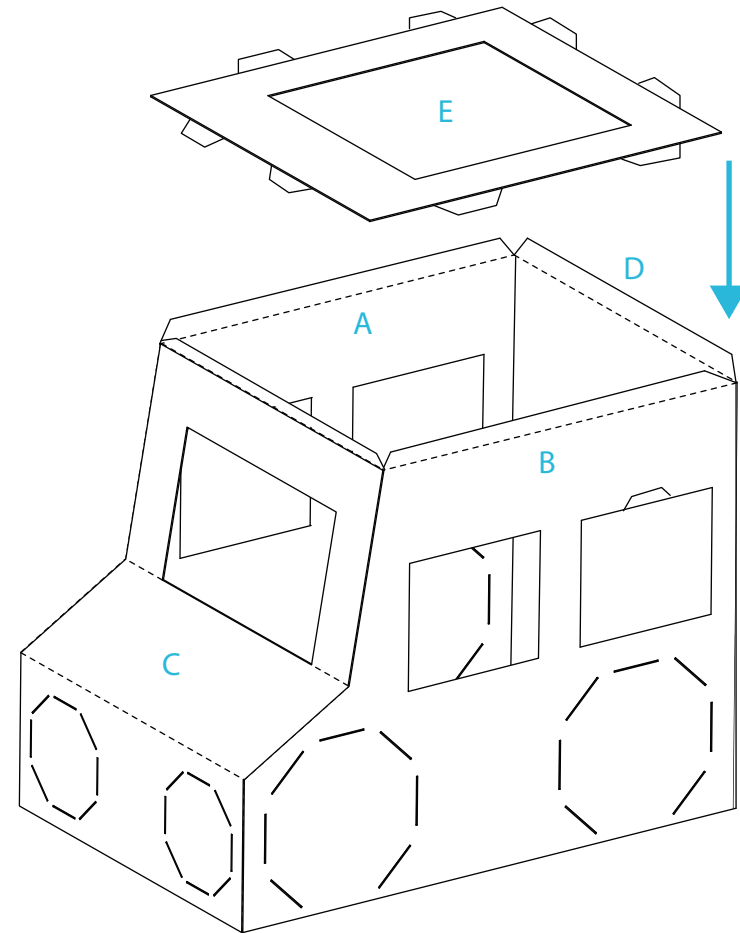
mocka

3



Slot part (C) into parts (A) and (B) as shown.

4



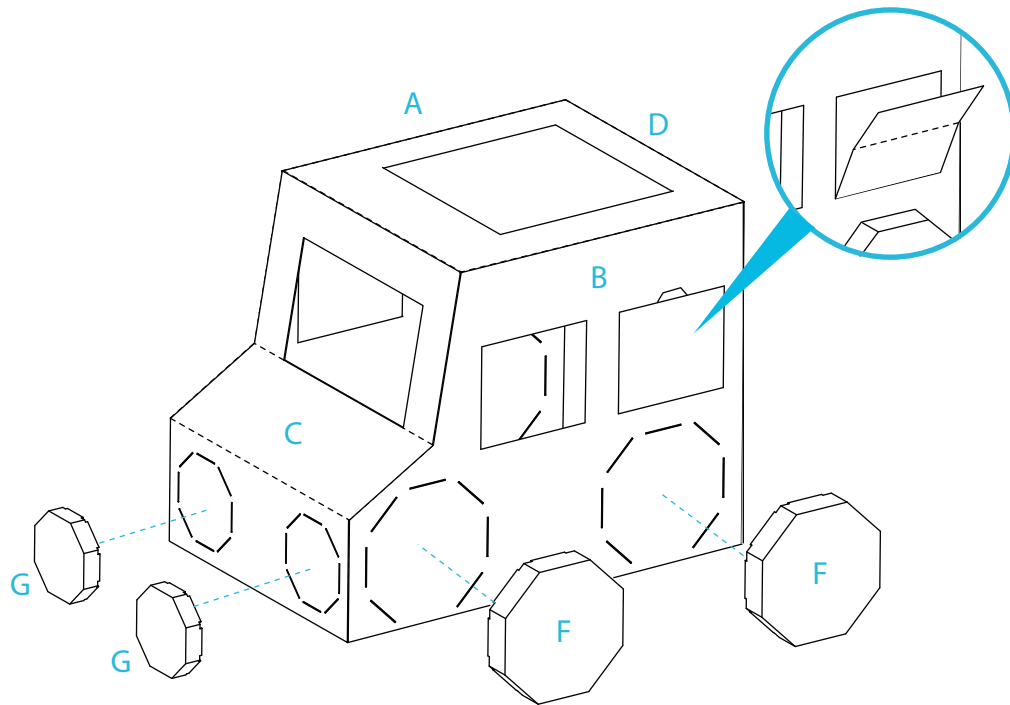
Attach part (E) to the tops of parts (A), (B), (C) and (D).

# Cardboard Play & Colour - Car

## Assembly Instructions

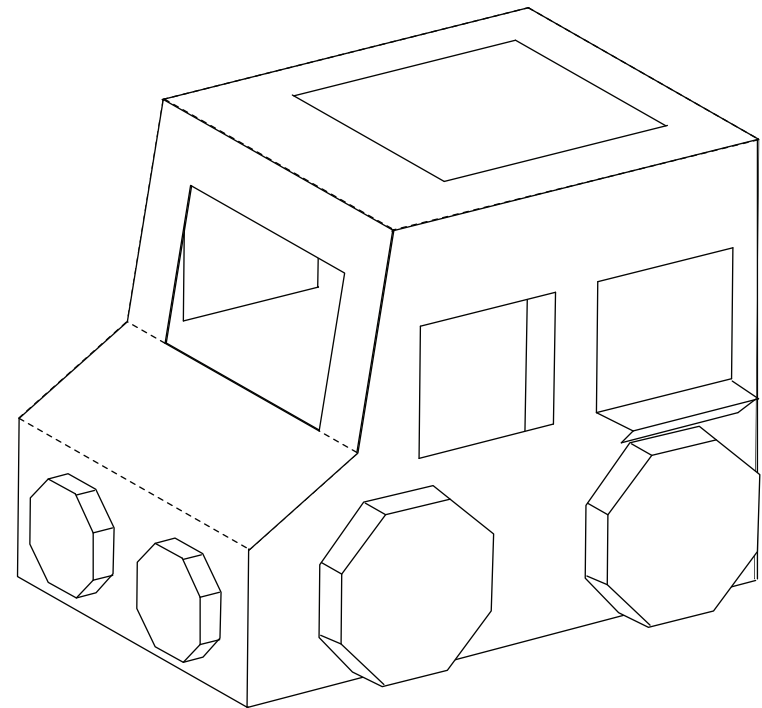
mocka

5



Attach 2x headlights (G) to part (C). Now attach 2x wheels (F) to part (A) and 2x wheels (F) to part (B). Fold down the window as shown.

6



You're done, enjoy!