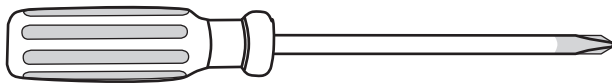
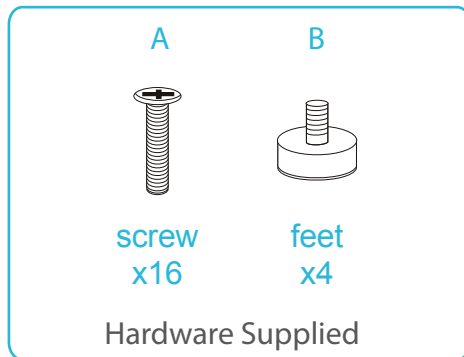


Vigo Coffee Table

Assembly Instructions

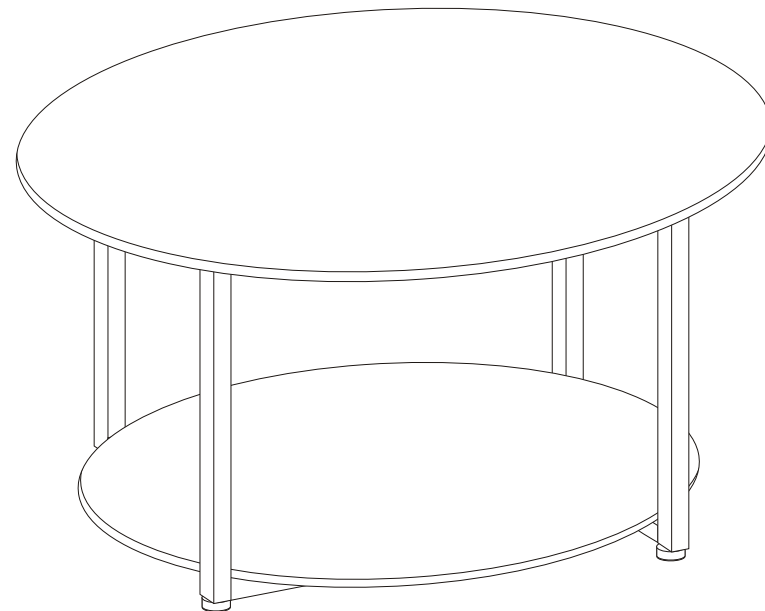
mocka

Thank you for your purchase.
Please follow the instructions below for correct assembly.



Phillips screwdriver required

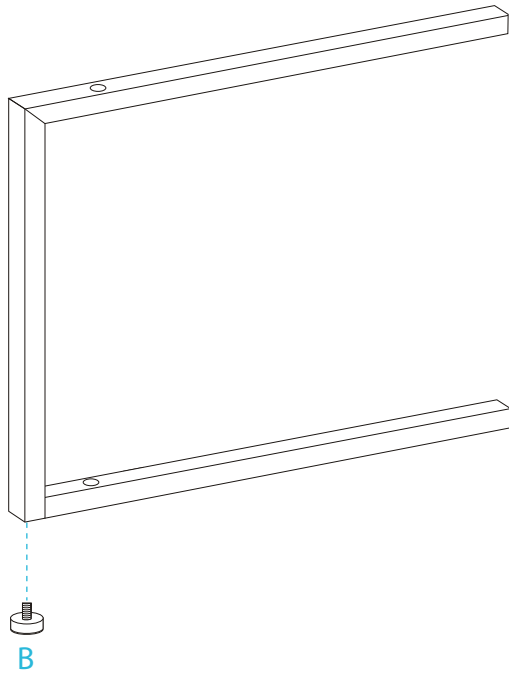
For quicker assembly, we recommend the use of a power drill on a low-speed setting.



Vigo Coffee Table

Assembly Instructions

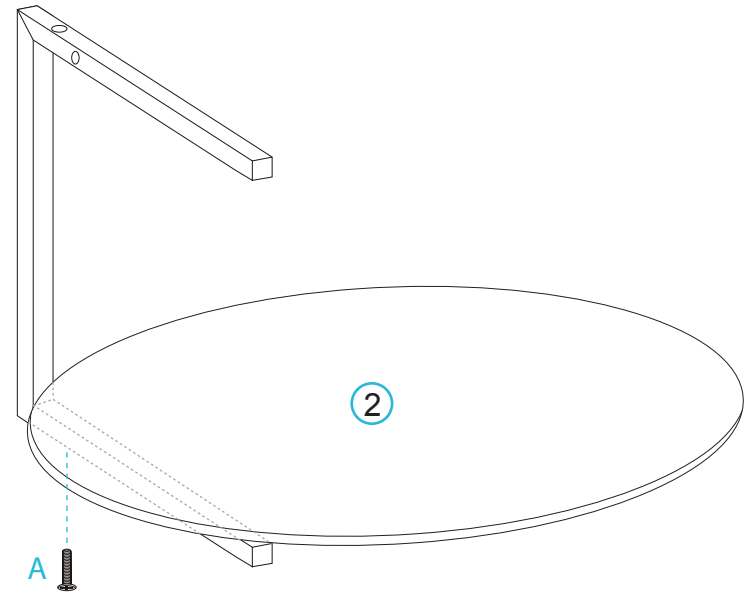
1



Attach 1x foot (B) to each leg.

2

mocka



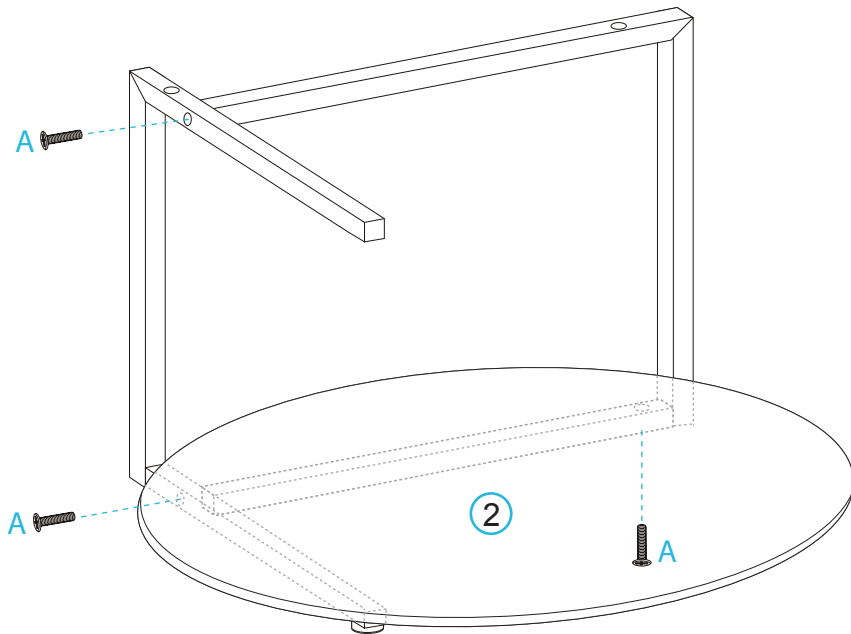
Attach the first leg to the underside of panel [2] using 1x screw (A). Tighten with the screwdriver.

Vigo Coffee Table

Assembly Instructions

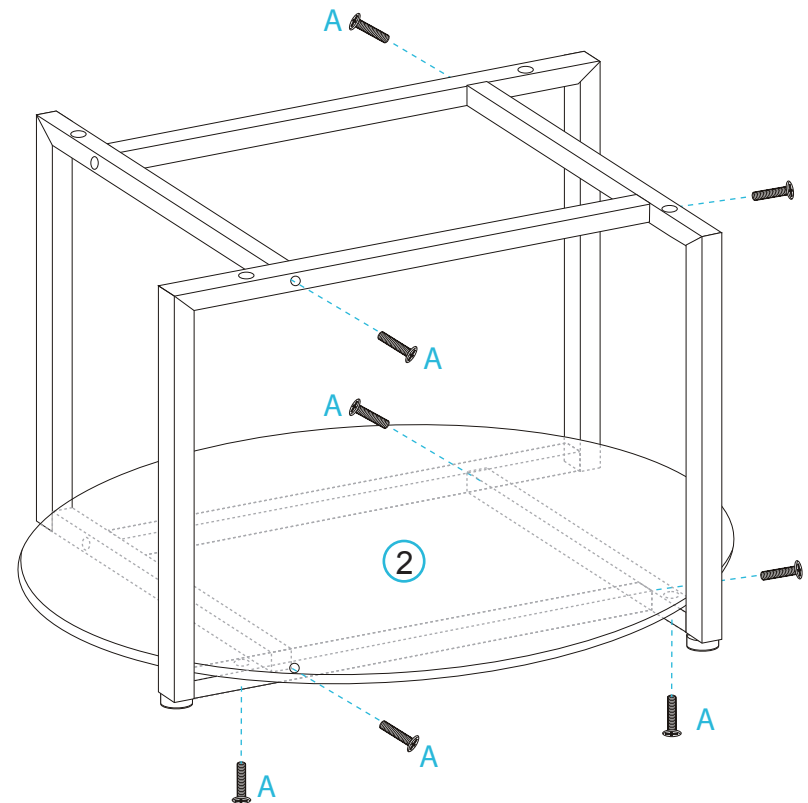
mocka

3



Attach the next leg to panel [2] and the first leg using 3x screws (A). Tighten with the screwdriver.

4



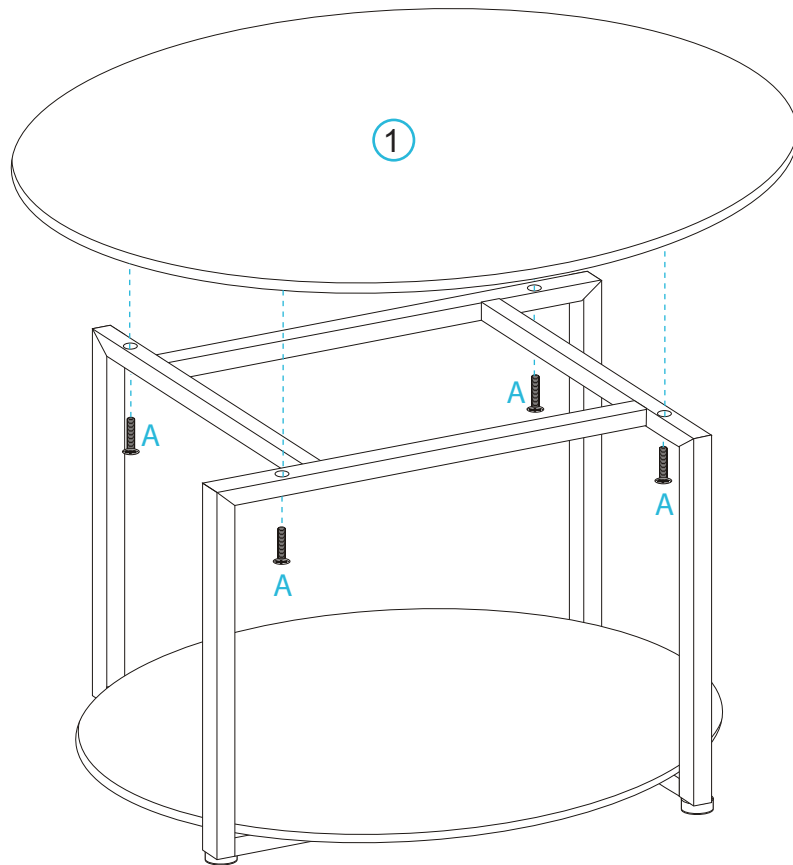
Repeat until all four legs are attached and screwed together using the other 8x screws (A). Tighten with a screwdriver.

Vigo Coffee Table

Assembly Instructions

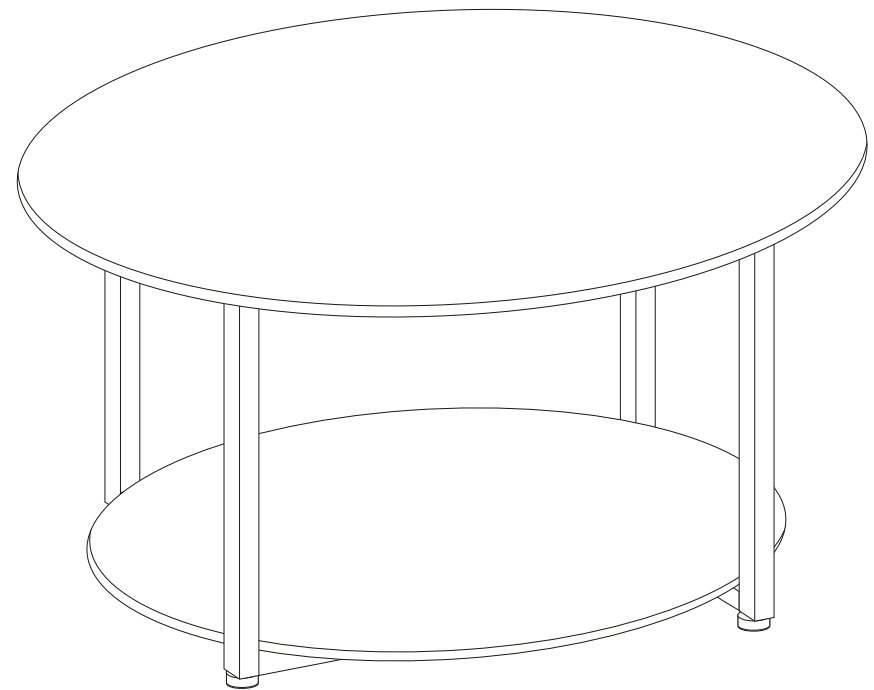
mocka

5



Attach the table top [1] to the legs using 4x screws (A) and tighten with a screwdriver.

6



You're done, enjoy!