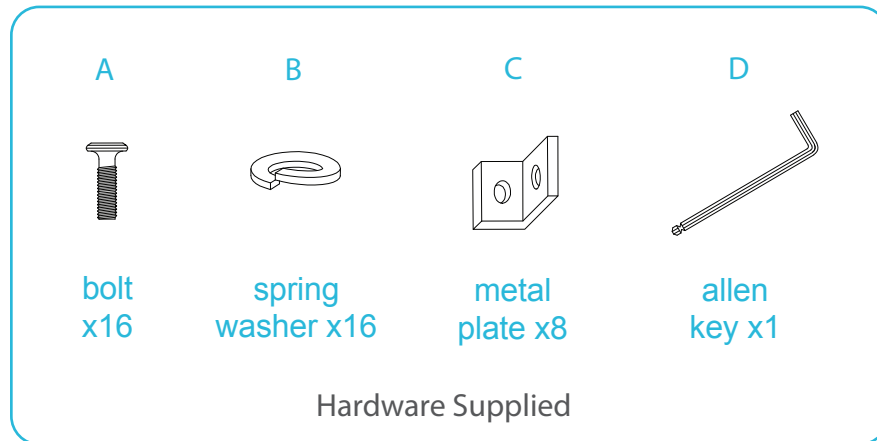


Kai Side Table

Assembly Instructions

Thank you for your purchase.
Please follow the instructions below for correct assembly.

mocka

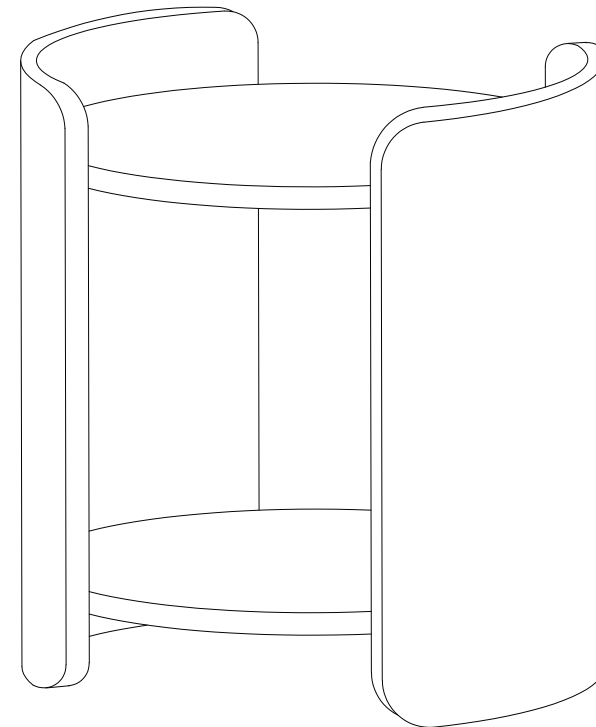


Before assembling, place all wooden furniture parts on a clean and flat surface to prevent scratches.

Do not fully tighten the nuts or nut bolts until all are in place.

To prevent thread damage, ensure that the nuts or nut bolts are not over-tightened.

Keep hardware out of reach of children.

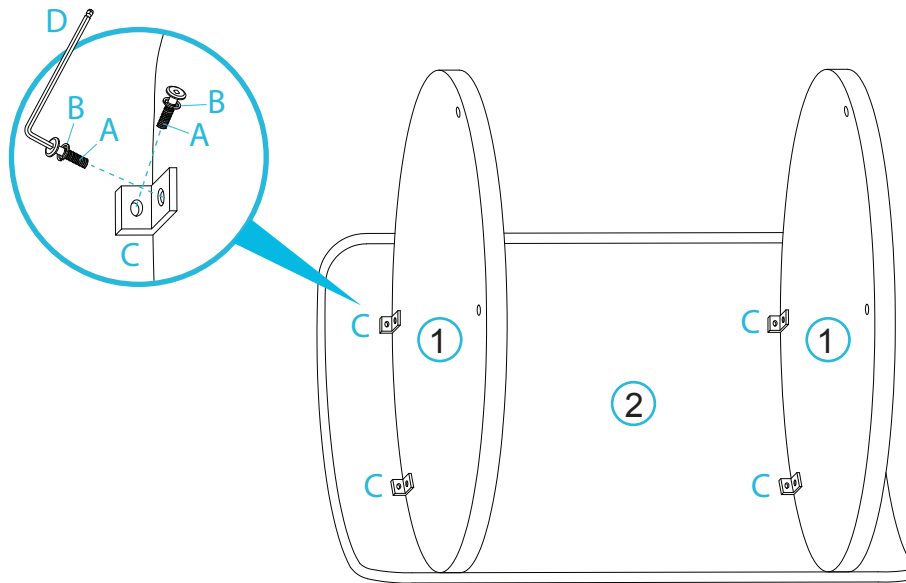


Kai Side Table

Assembly Instructions

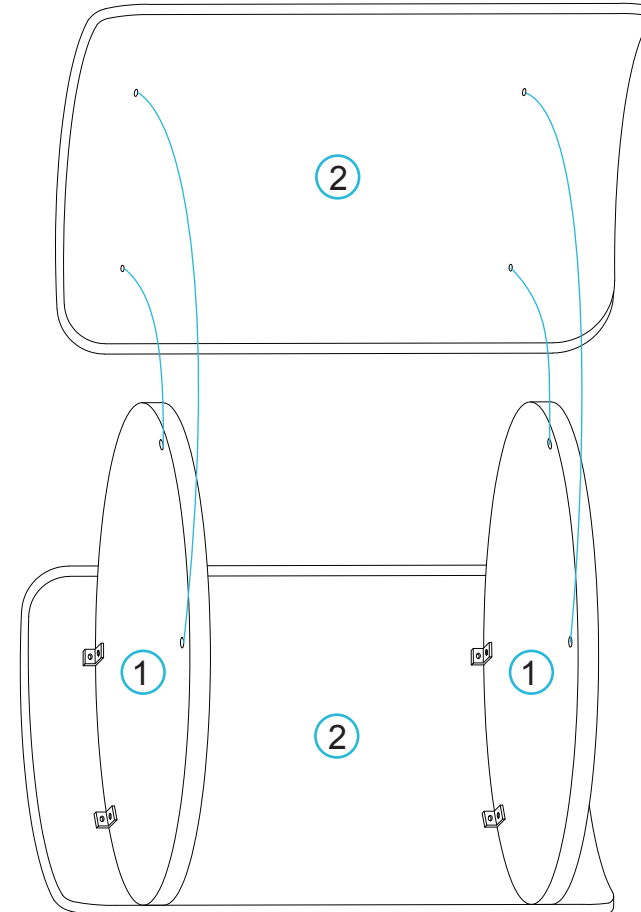
mocka

- 1** Note: The pre-drilled holes on Panel 2 are in different positions, the holes closest to the edge of the panel should face the bottom of the unit.



Attach the table tops [1] to a table leg [2] as shown using 4x metal plates (C). Secure using 8x bolts (A), 8x spring washers (B) and tighten with the allen key (D).

2



Repeat Step 1 to attach the other table leg [2]. Carefully turn the table onto its base, ensuring that it's balanced and steady before use. You're done, enjoy!