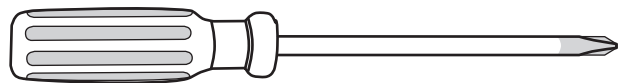
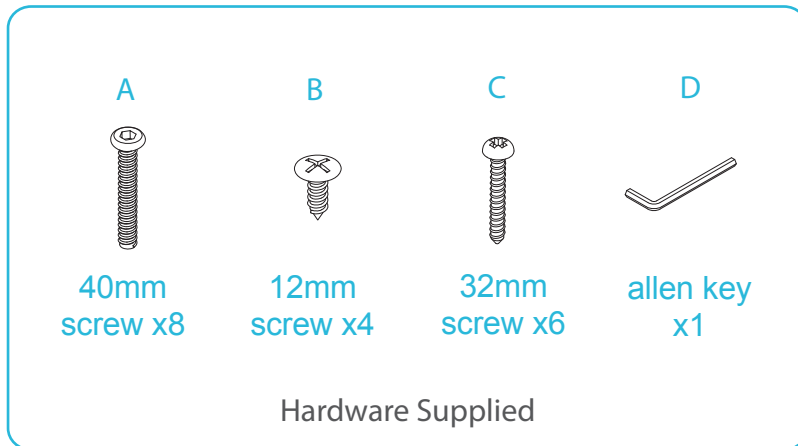


# Dakota Side Table

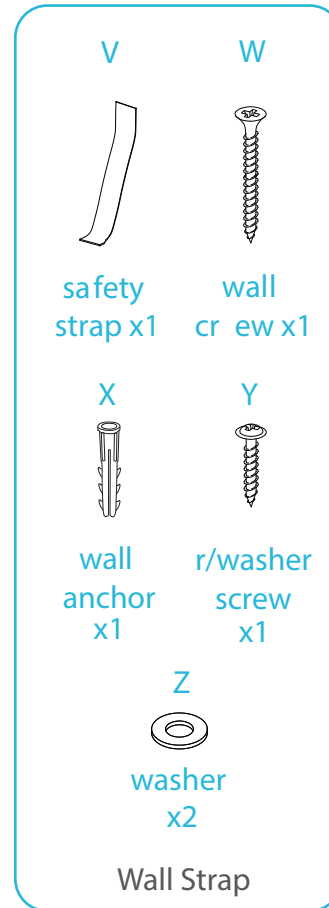
## Assembly Instructions

Thank you for your purchase.  
Please follow the instructions below for correct assembly.

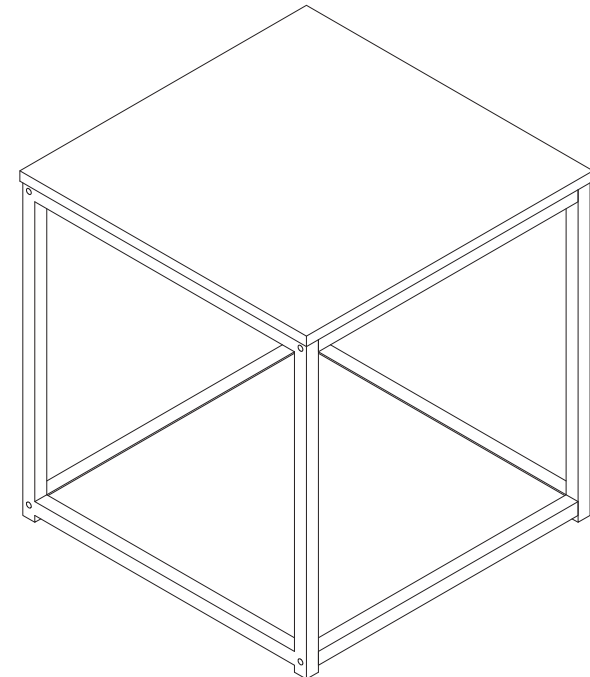
# mocka



Phillips screwdriver required



**WARNING:** Any furniture that is not anchored to a wall has the potential to tip over in certain circumstances, i.e. if a child attempts to climb up on the furniture or in the event of an earthquake. Accordingly, we recommend that all furniture is anchored to a wall. We supply a free safety wall anchor with all furniture sold and we recommend these are used to prevent your product tipping. The fixing device provided should fit most wall types, but please note that different wall materials may require different fixing devices from those supplied.

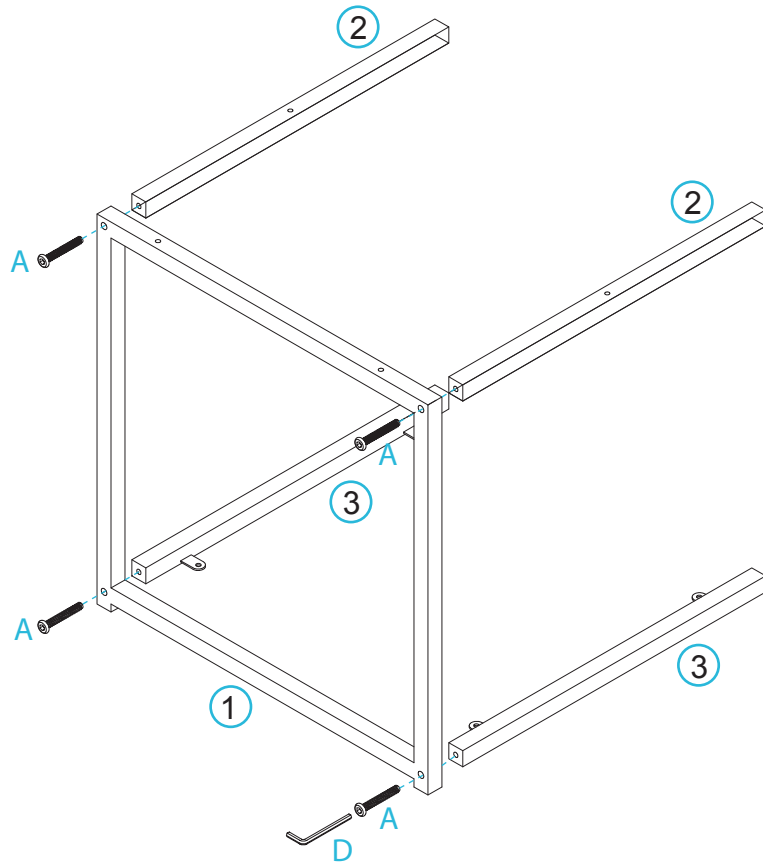


# Dakota Side Table

## Assembly Instructions

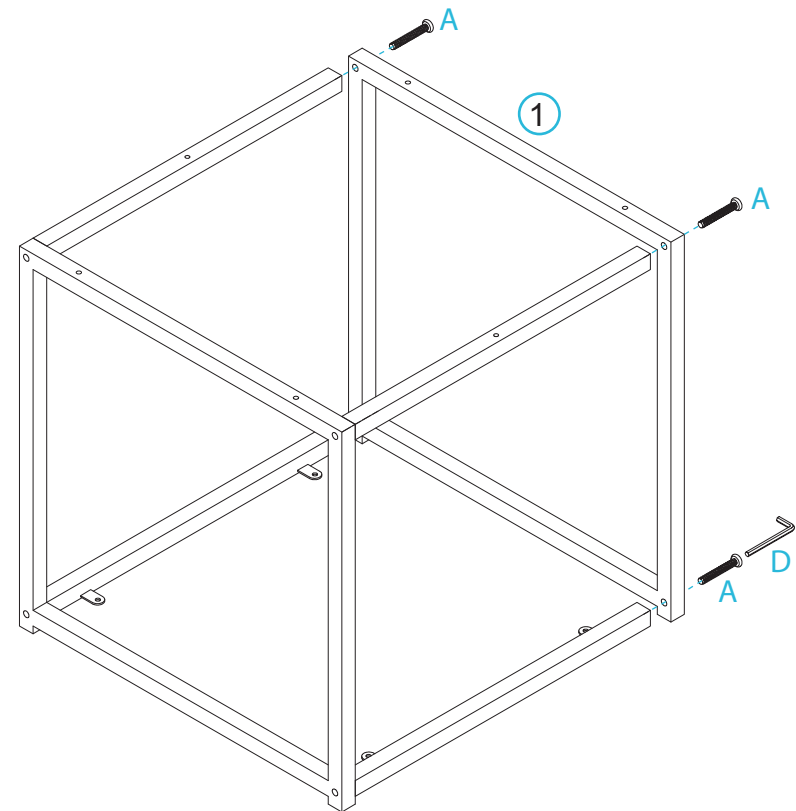
mocka

1



Attach panels [2] and [3] to panel [1] as shown using 4x 40mm screws (A) and tighten with the allen key (D).

2



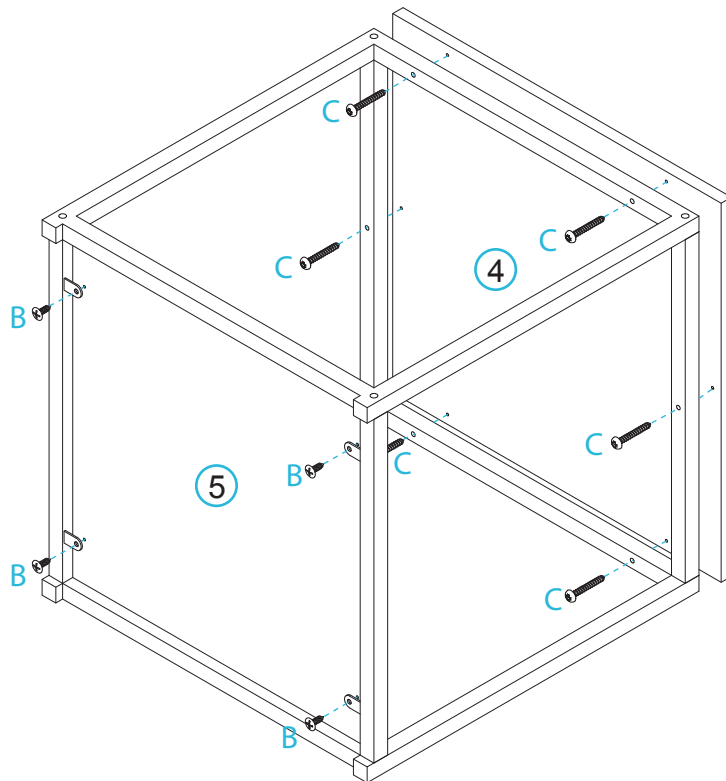
Attach panel [1] to the rest of the unit using 4x 40mm screws (A) and tighten with the allen key (D).

# Dakota Side Table

## Assembly Instructions

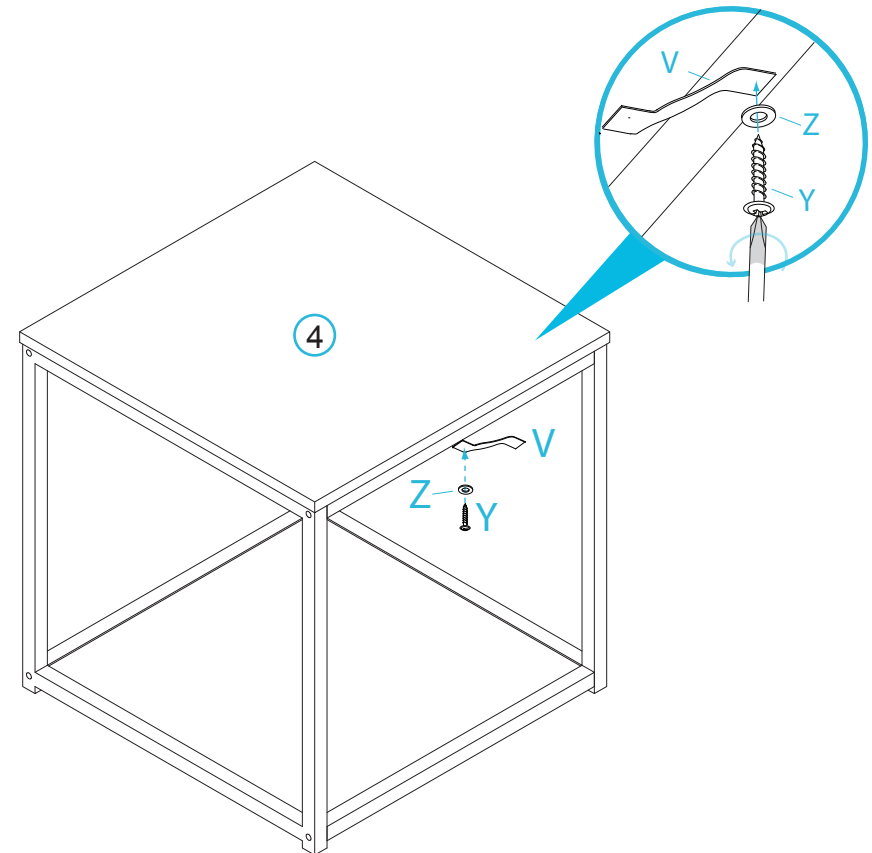
mocka

3



Carefully lay the frame onto its side and attach panel [4] as shown using 6x 32mm screws (C). Attach panel [5] as shown using 4x 12mm screws (B). Tighten with a screwdriver.

4 Wall Mount



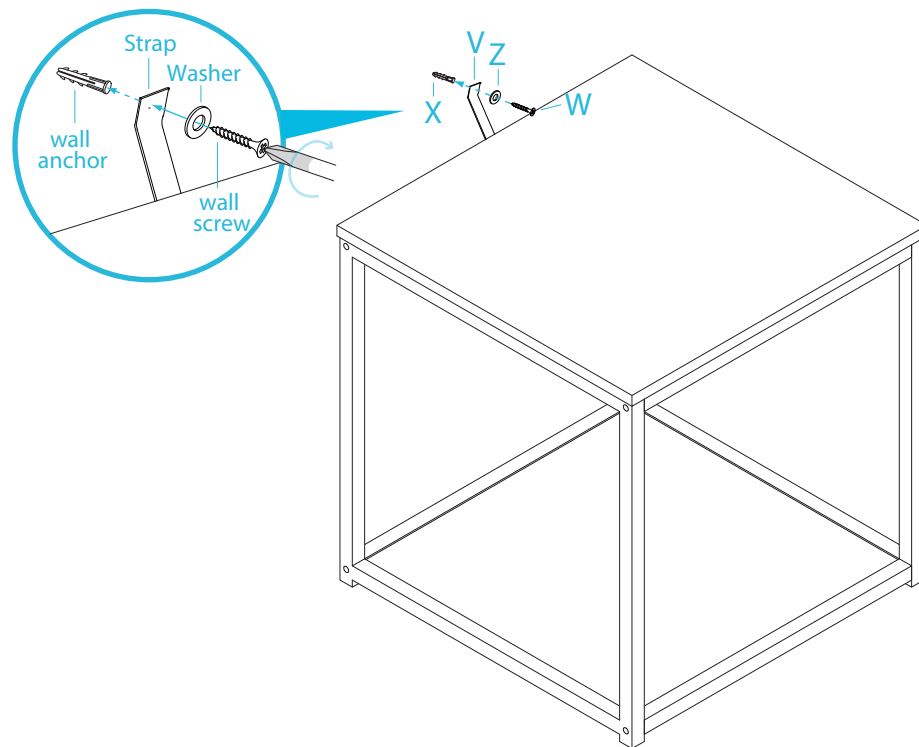
Carefully lift unit onto its feet. Attach safety strap (V) to the underside of the panel [4] using 1x washer (Z) and 1x screw (Y). Tighten with a screwdriver. Once assembled lift furniture into place, do not drag.

# Dakota Side Table

## Assembly Instructions

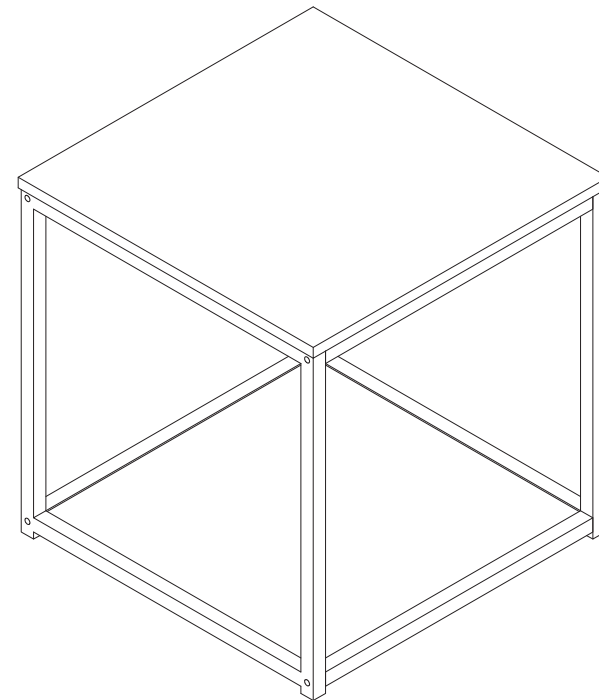
mocka

5



Use a drill to create a small hole lining up with the top of the safety strap (V). Fasten to wall using 1x wall anchor (X), 1x washer (Z) and 1x screw (W). Ensure unit is balanced and steady before use.

6



You're done, enjoy!