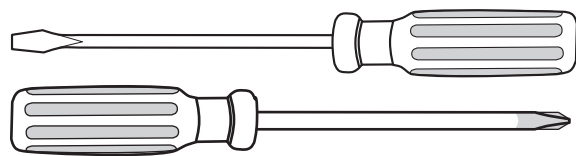
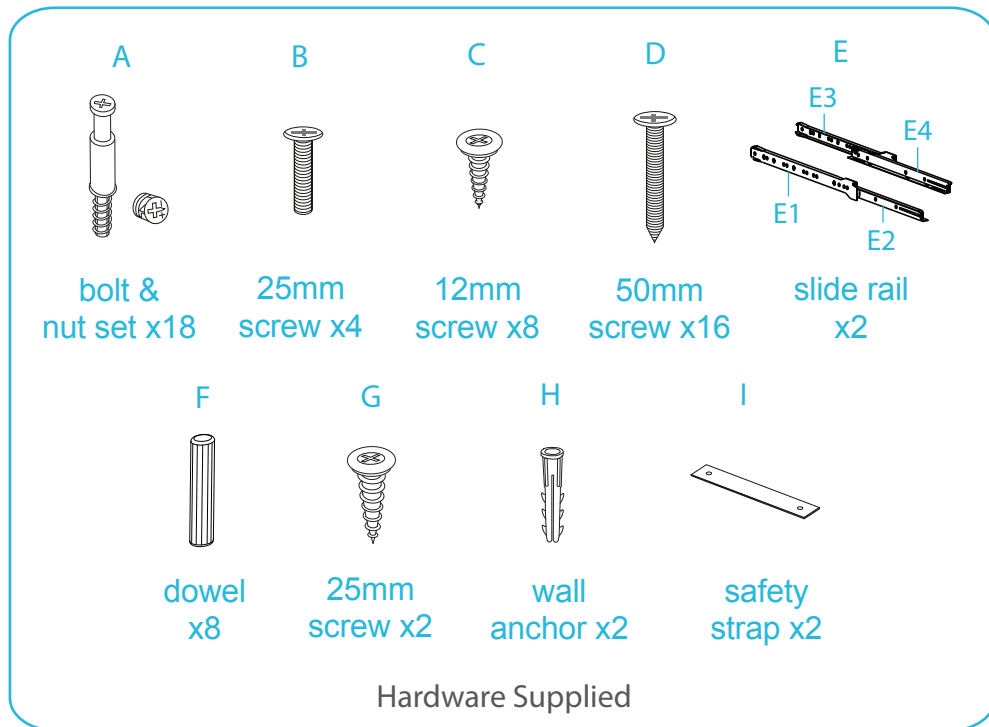


Vigo Bedside Table

Assembly Instructions

mocka

Thank you for your purchase.
Please follow the instructions below for correct assembly.



Phillips & Flathead screwdrivers required
For quicker assembly, we recommend the
use of a power drill on a low-speed setting.

WARNING: Any furniture that is not anchored to a wall has the potential to tip over in certain circumstances, i.e. if a child attempts to climb up on the furniture or in the event of an earthquake. Accordingly, we recommend that all furniture is anchored to a wall. We supply a free safety wall anchor with all furniture sold and we recommend these are used to prevent your product tipping. The fixing device provided should fit most wall types, but please note that different wall materials may require different fixing devices from those supplied.

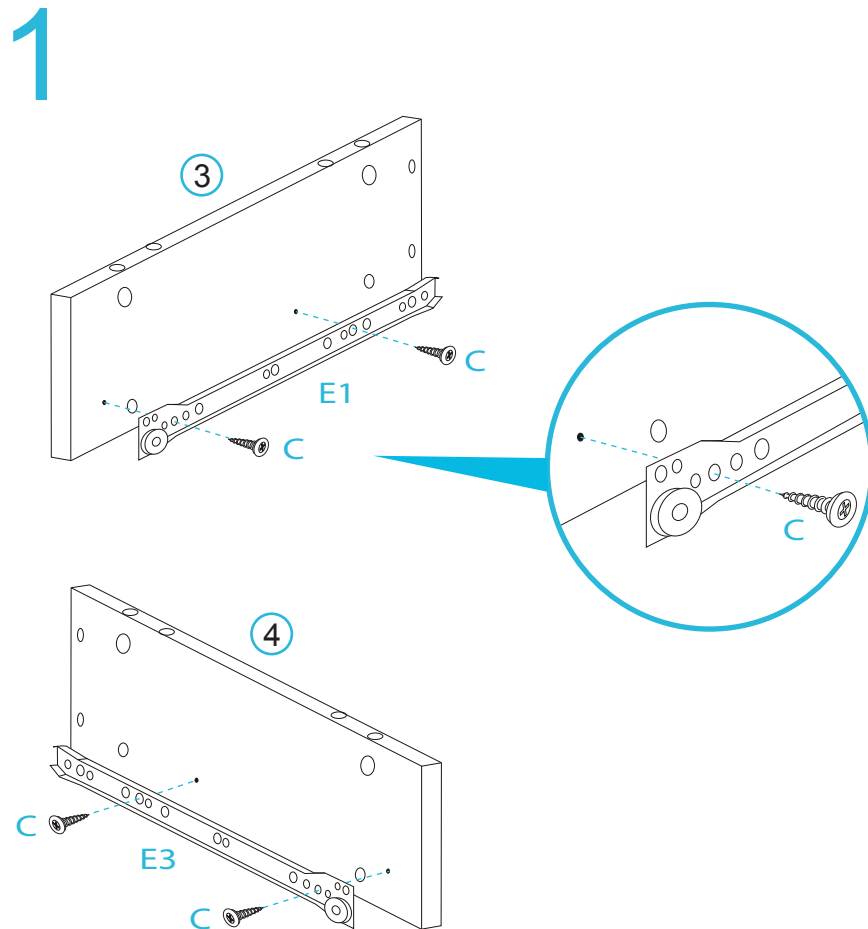


*We recommend using a Flathead screwdriver to tighten
all locking nuts 100% before first use.

Vigo Bedside Table

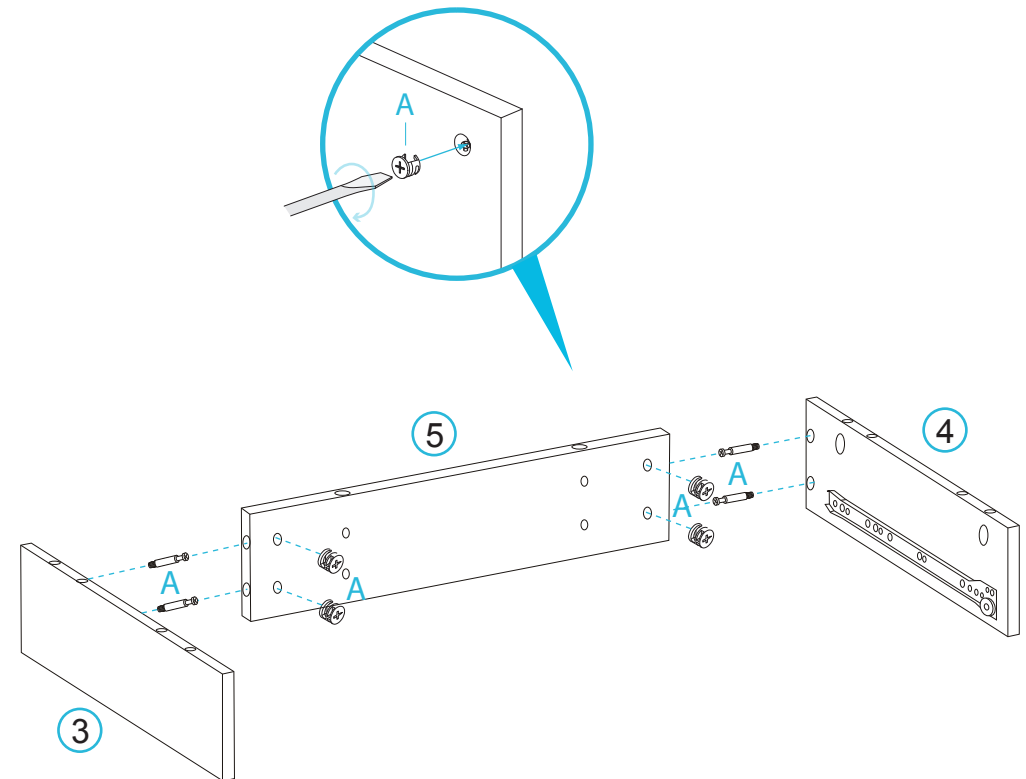
Assembly Instructions

mocka



Attach 1x slide rail (E1) to panel [3] using 2x 12mm screws (C). Attach 1x slide rail (E3) to panel [4] using 2x 12mm screws (C). Tighten with a screwdriver.

2



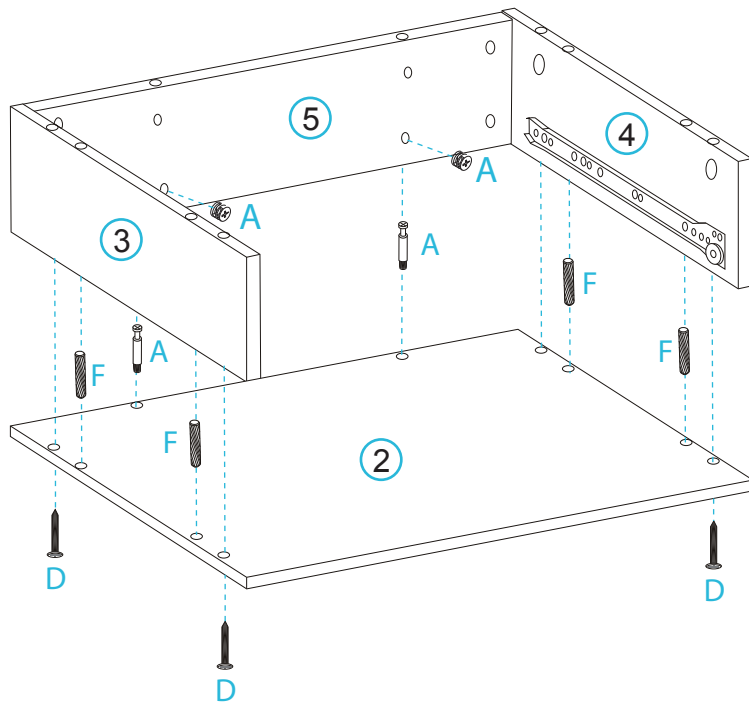
Attach panels [3], [4] and [5] together using 4x bolts (A) and secure using 4x locking nuts (A). Tighten with a flathead screwdriver.

Vigo Bedside Table

Assembly Instructions

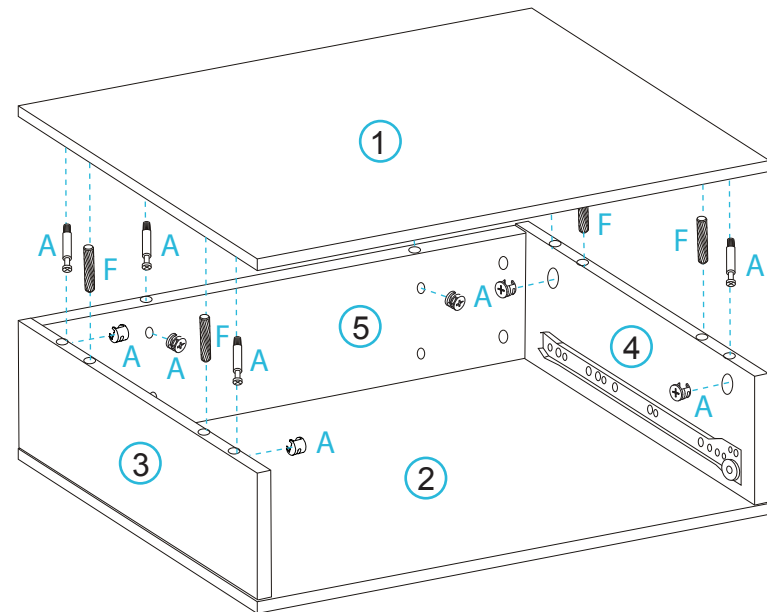
mocka

3



Attach panels [3], [4] and [5] to panel [2] using 4x dowels (F) and 2x bolts (A). Secure the bolts with 2x locking nuts (A) and 4x 50mm screws (D). Tighten with a screwdriver.

4



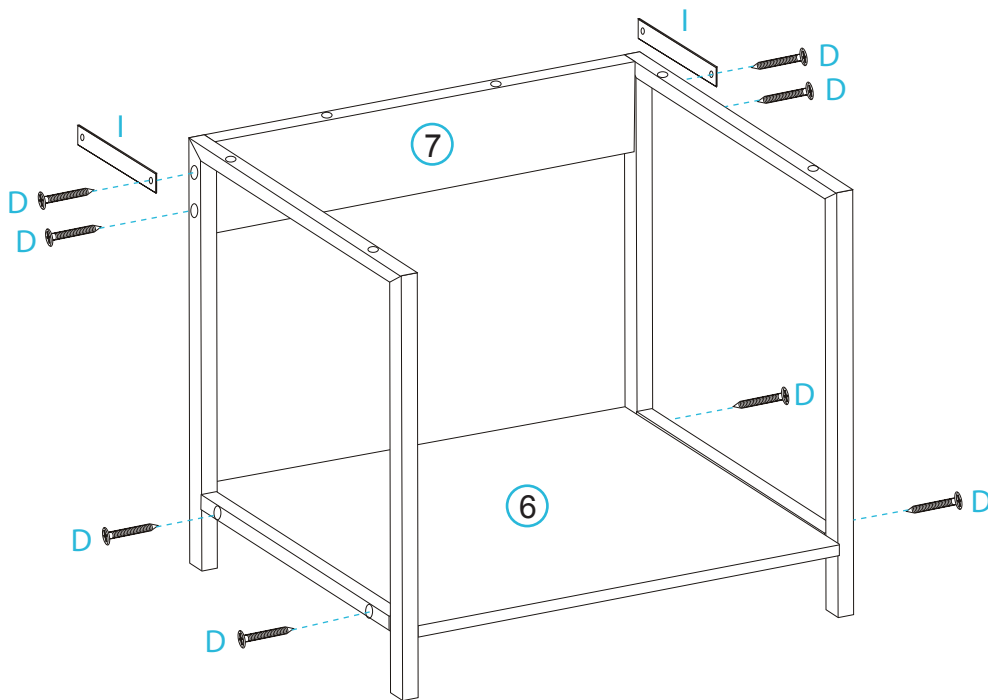
Attach panel [1] to panels [3], [4] and [5] using 4x dowels (F) and 6x bolts (A). Secure with 6x locking nuts (A) and tighten with a flathead screwdriver.

Vigo Bedside Table

Assembly Instructions

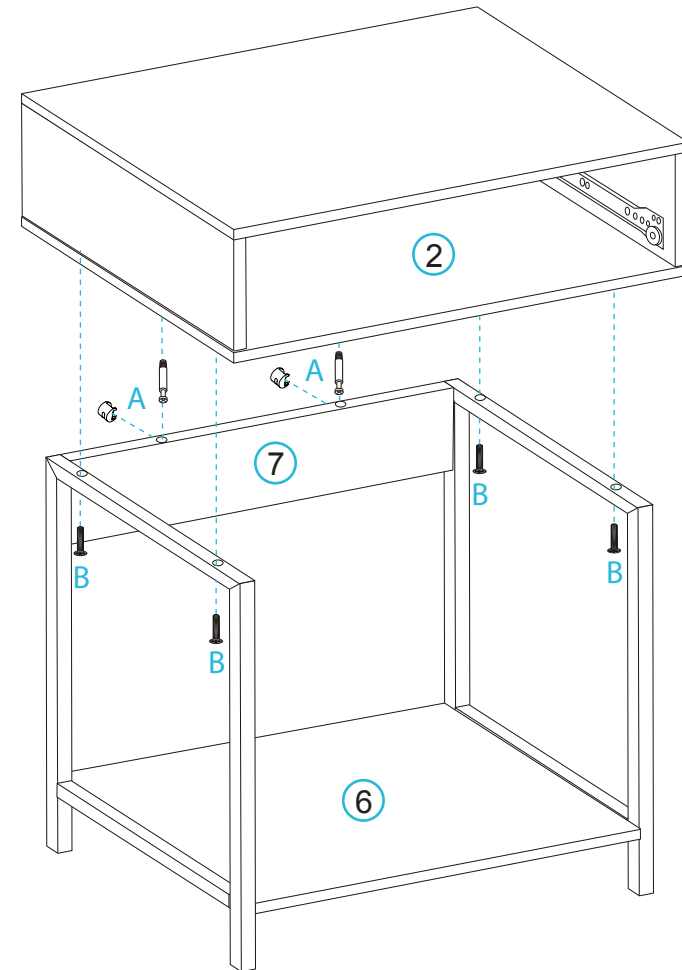
mocka

5



Attach panels [6] and [7] to the legs using 8x 50mm screws (D), while securing the 2x safety straps (I) to the top as shown. Tighten with a screwdriver.

6



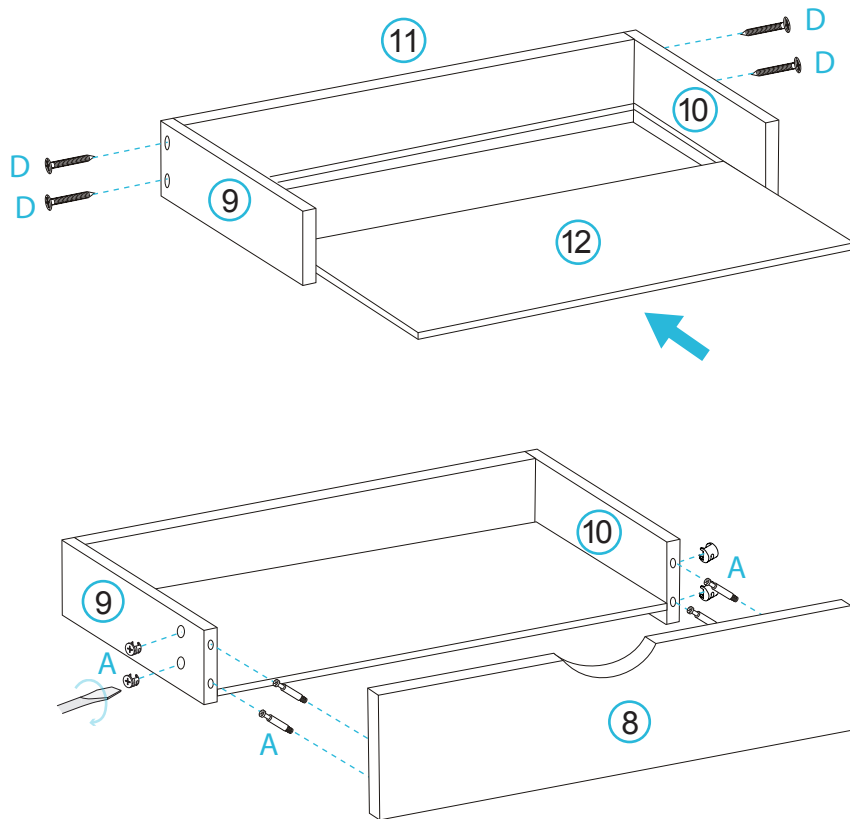
Attach panel [2] to the legs using 2x bolts (A) and secure with 2x locking nuts (A) and 4x 25mm screws (B). Tighten with a screwdriver.

Vigo Bedside Table

Assembly Instructions

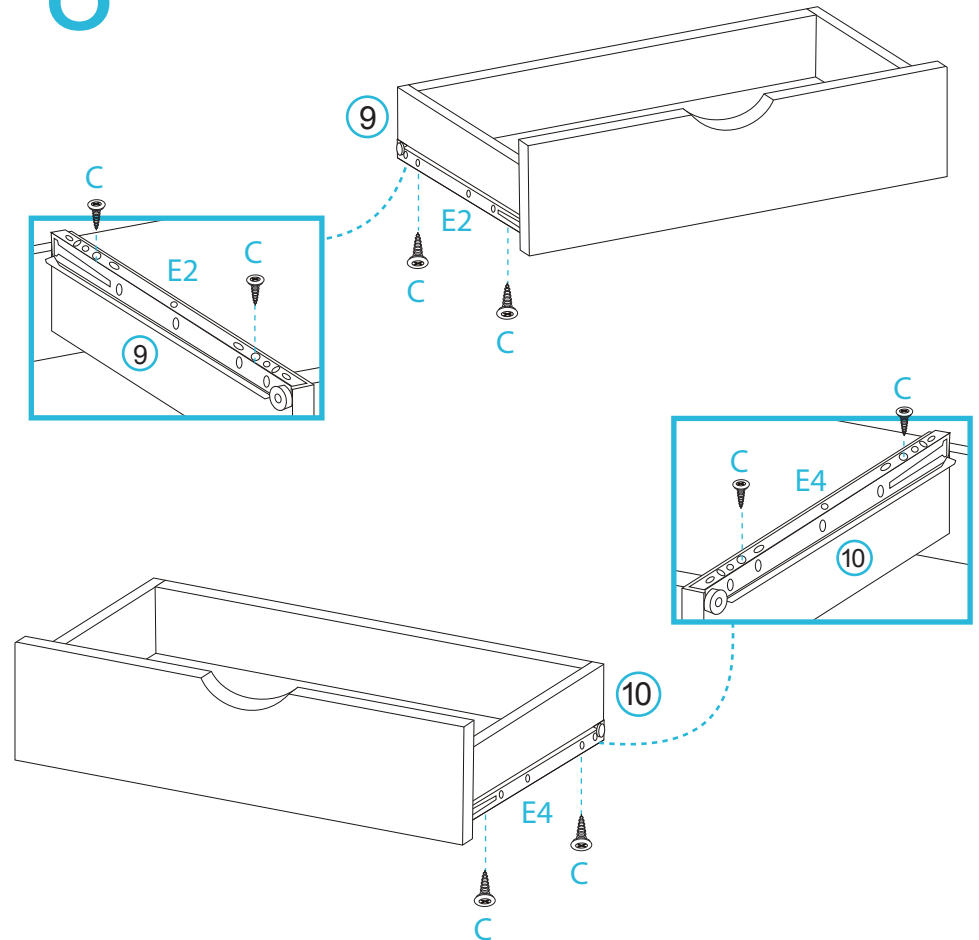
mocka

7 Drawer



Attach panels [9], [10] and [11] together using 4x 50mm screws (D). Slide panel [12] along the grooves between the side panels to form the base of the drawer. Attach panel [8] using 4x bolts (A) and secure with the 4x locking nuts (A). Tighten with a flathead screwdriver.

8



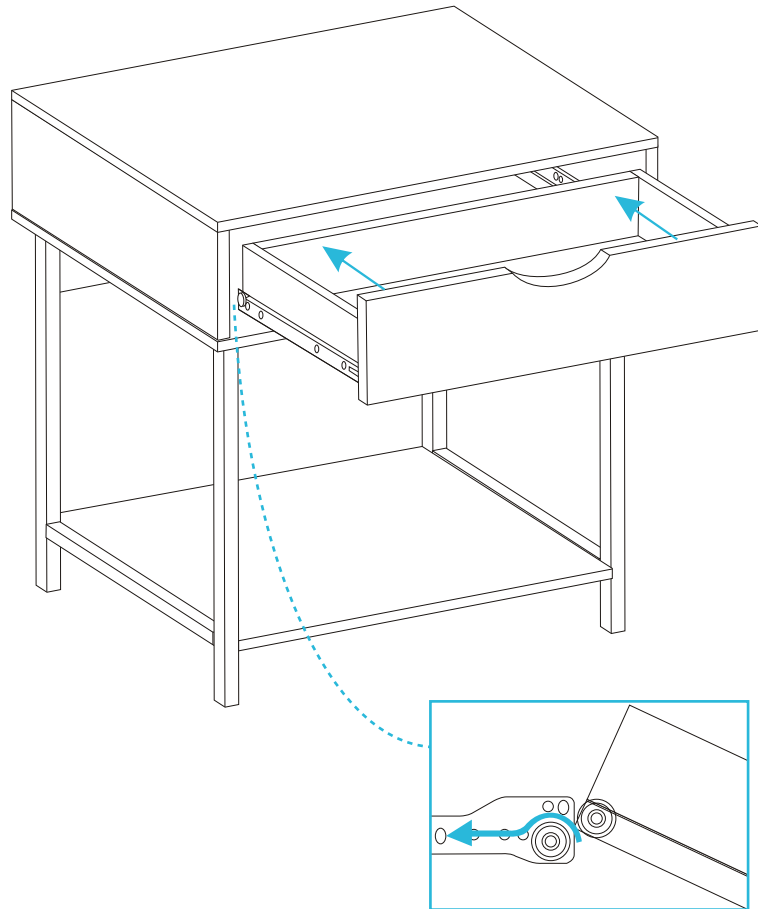
Attach 1x slide rail (E2) to panel [9] and secure with 2x 12mm screws (C). Attach 1x slide rail (E4) to panel [10] and secure with 2x 12mm screws (C). Tighten with a screwdriver.

Vigo Bedside Table

Assembly Instructions

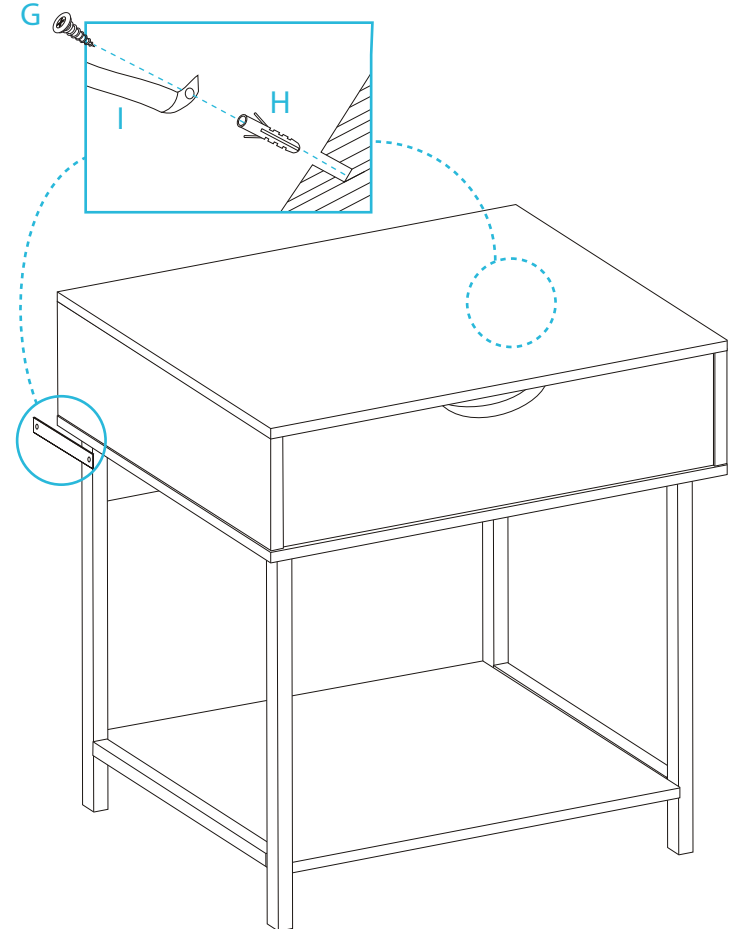
mocka

9



Insert the completed drawer as shown, ensuring it slides smoothly and easily along the rails.

10



Lift the furniture into the desired position, do not drag. Attach the other end of the safety straps (I) to the wall using 2x wall plugs (H) and 2x 25mm screws (G). Tighten with a screwdriver. All done, enjoy!