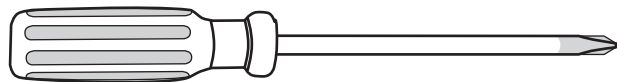
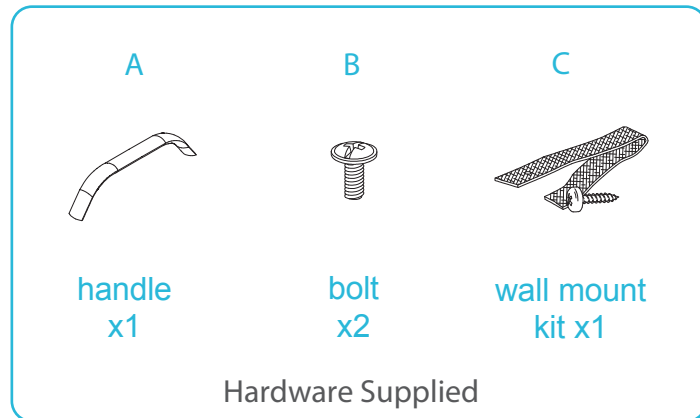


# Bedside Locka

## Assembly Instructions

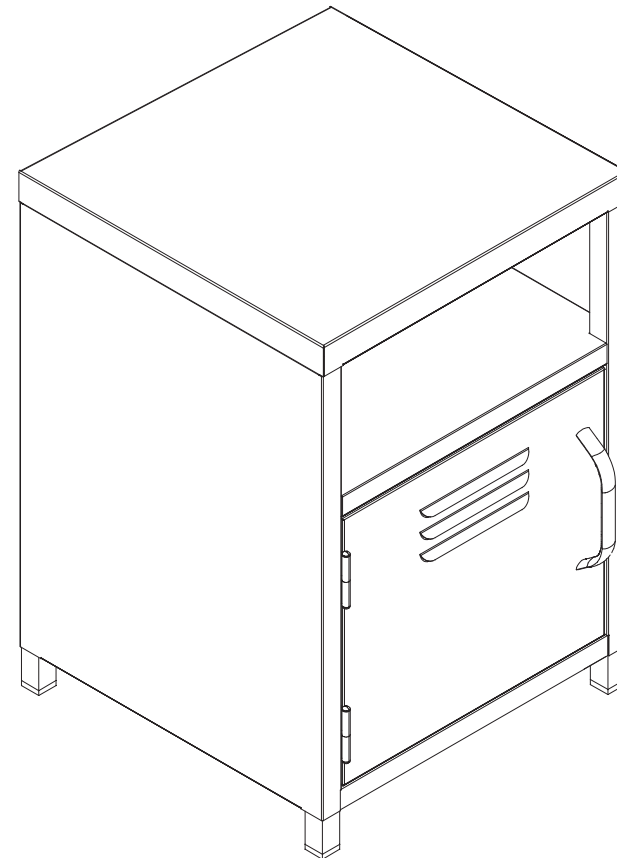
Thank you for your purchase.  
Please follow the instructions below for correct assembly.

# mocka



Phillips screwdriver required

**WARNING:** Any furniture that is not anchored to a wall has the potential to tip over in certain circumstances, i.e. if a child attempts to climb up on the furniture or in the event of an earthquake. Accordingly, we recommend that all furniture is anchored to a wall. We supply a free safety wall anchor with all furniture sold and we recommend these are used to prevent your product tipping. The fixing device provided should fit most wall types, but please note that different wall materials may require different fixing devices from those supplied.

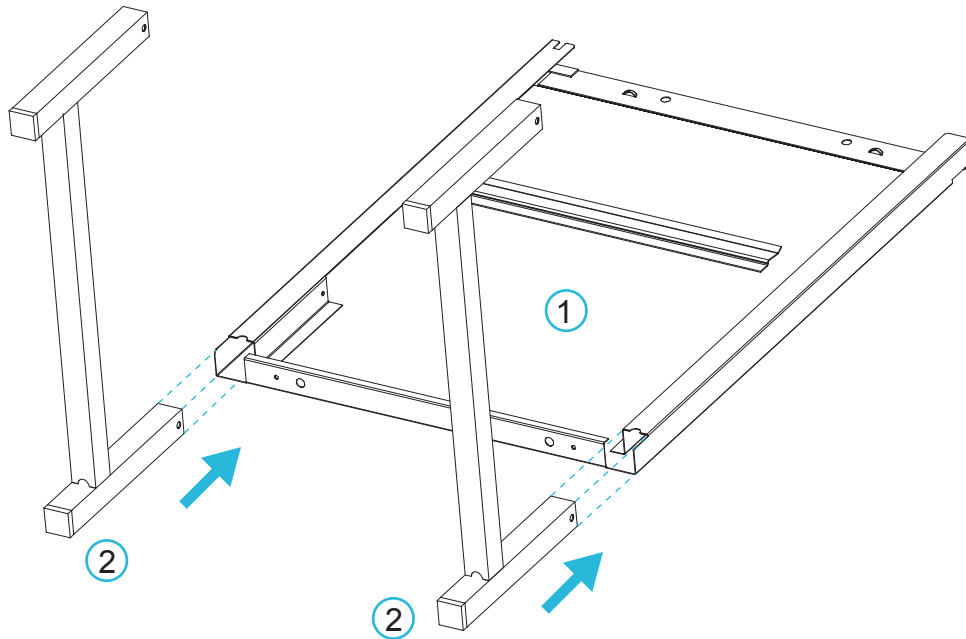


# Bedside Locka

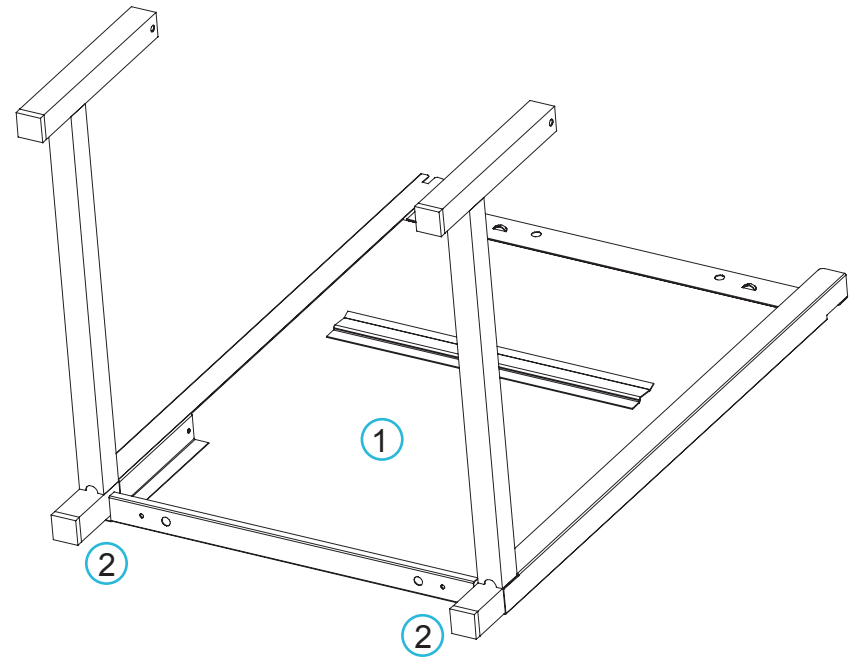
## Assembly Instructions

mocka

1



2



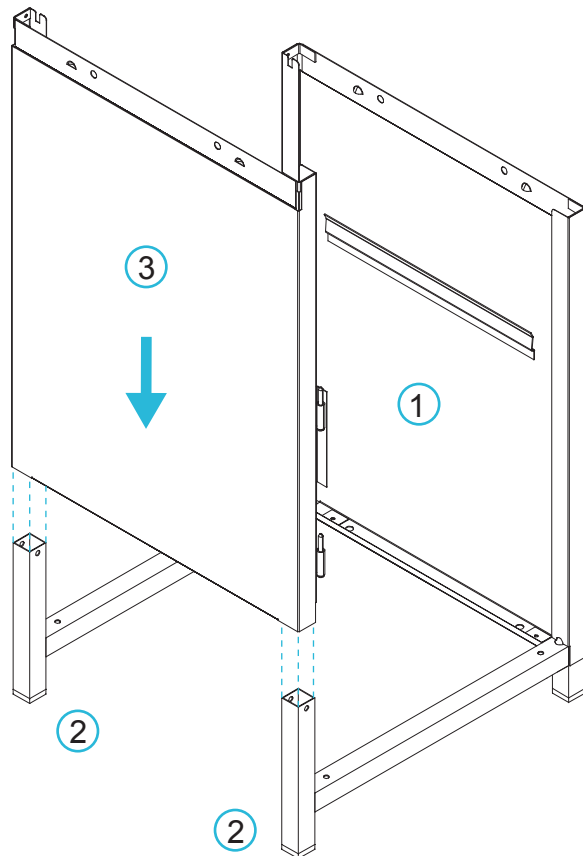
Slide the legs [2] into the bottom of panel [1] until they click into place.

# Bedside Locka

## Assembly Instructions

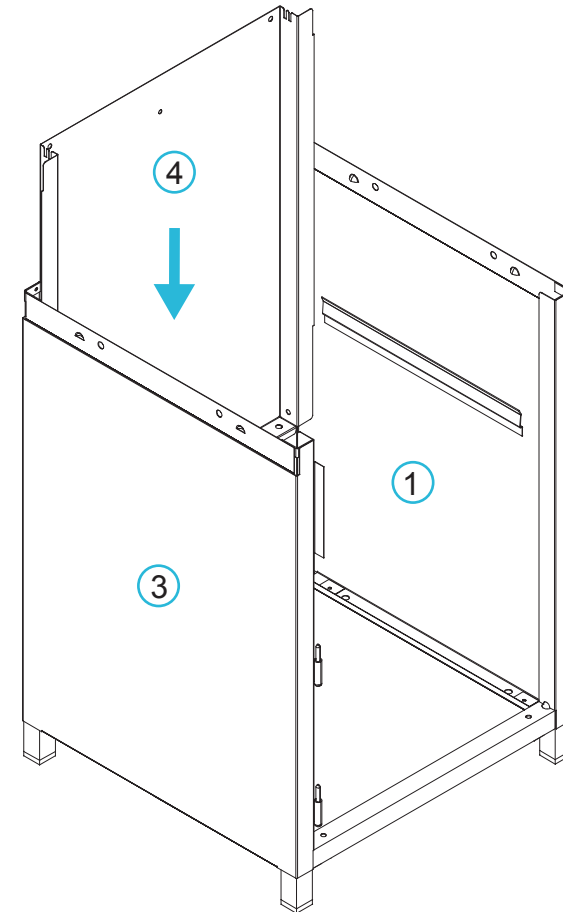
mocka

3



Slide panel [3] down into the legs [2] until they click into place.

4

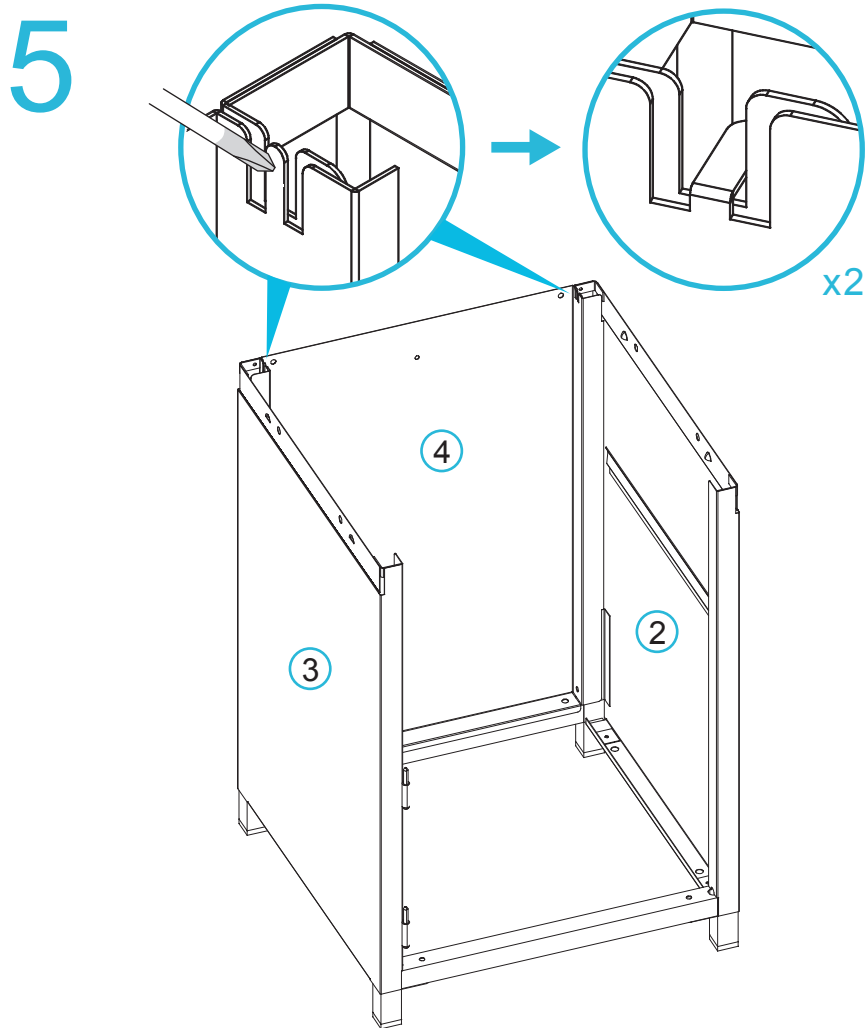


Slide panel [4] down between panels [1] and [3] as shown.

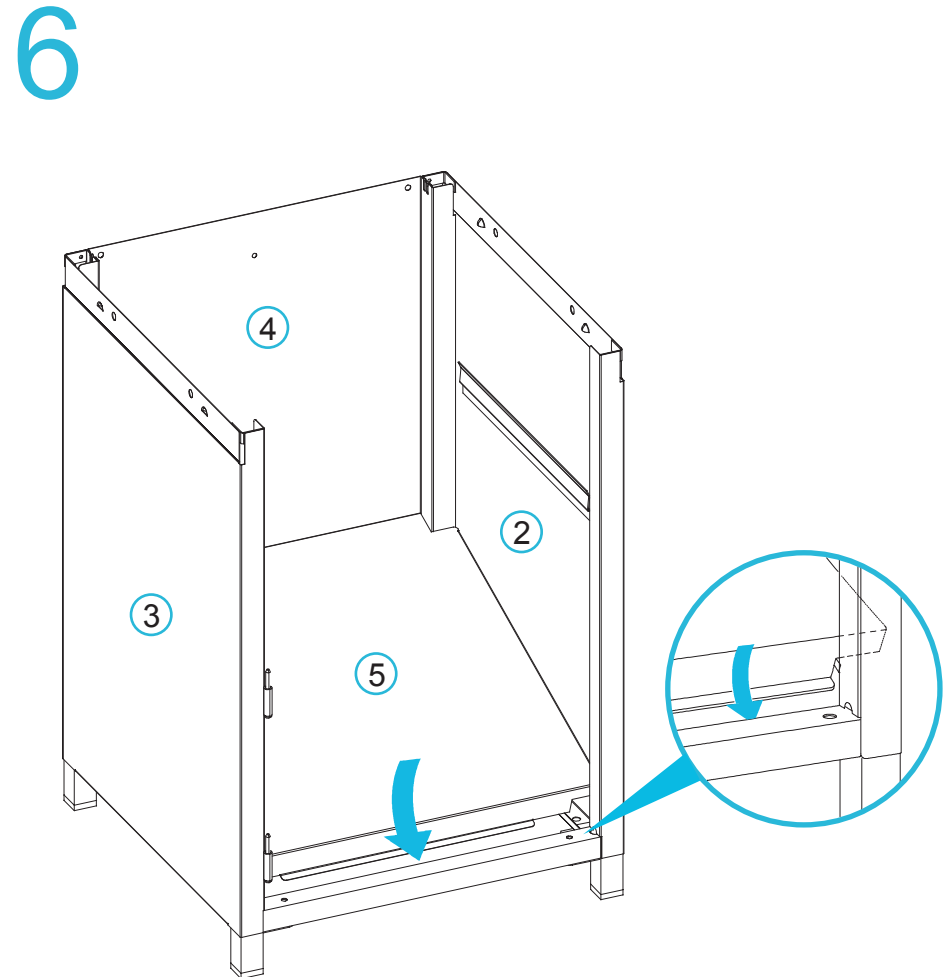
# Bedside Locka

## Assembly Instructions

mocka



Bend down the metal tabs on each side of panel [4] with a screwdriver as shown.



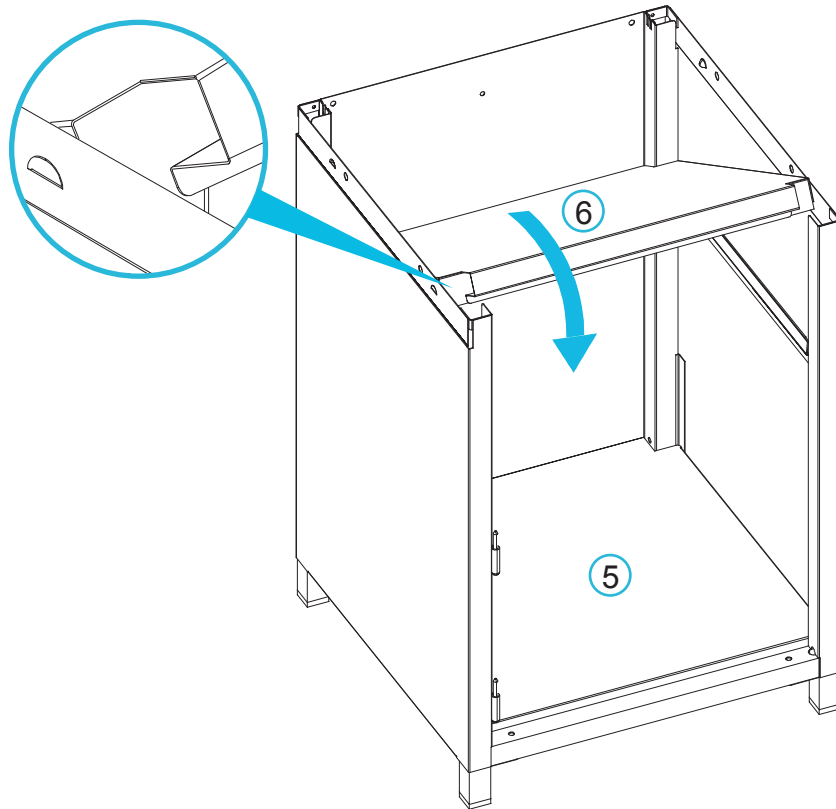
Insert panel [5] to form the base of the unit as shown.

# Bedside Locka

## Assembly Instructions

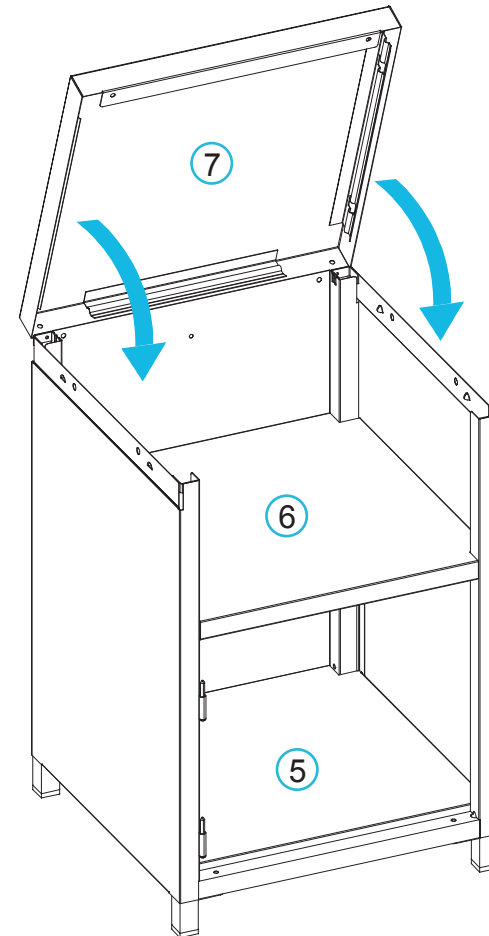
mocka

7



Insert the shelf panel [6] as shown.

8



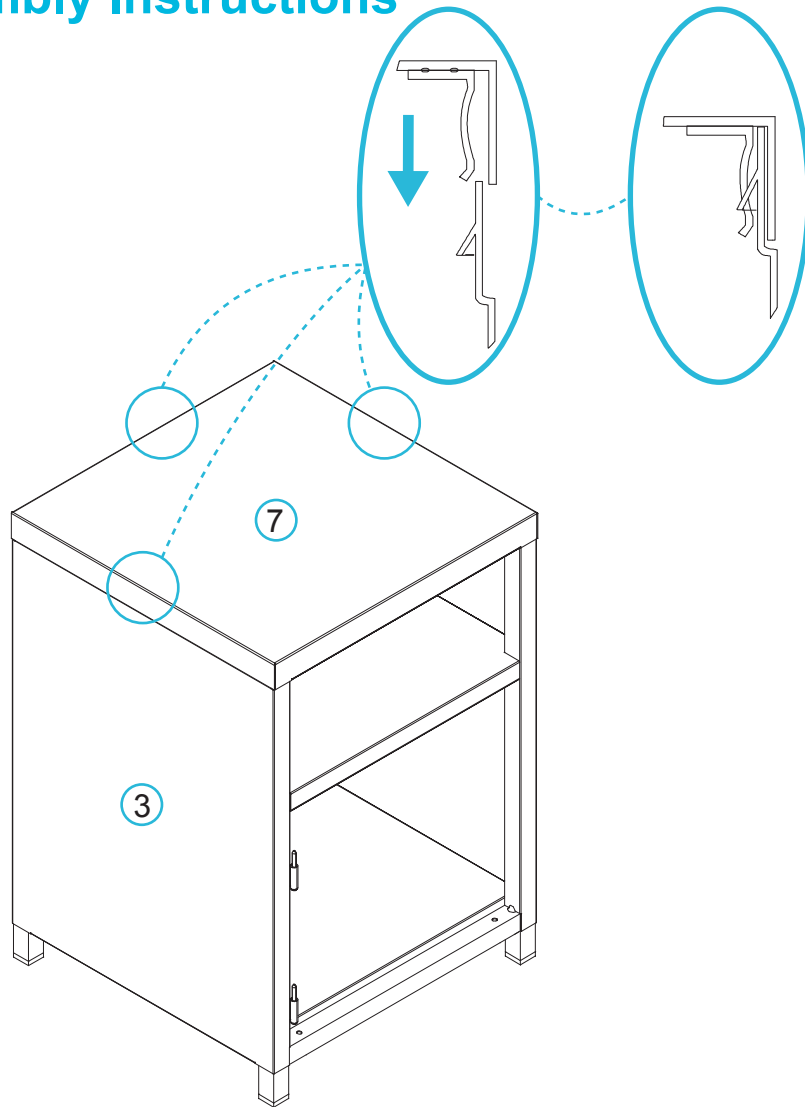
Attach the top panel [7] as shown.

# Bedside Locka

## Assembly Instructions

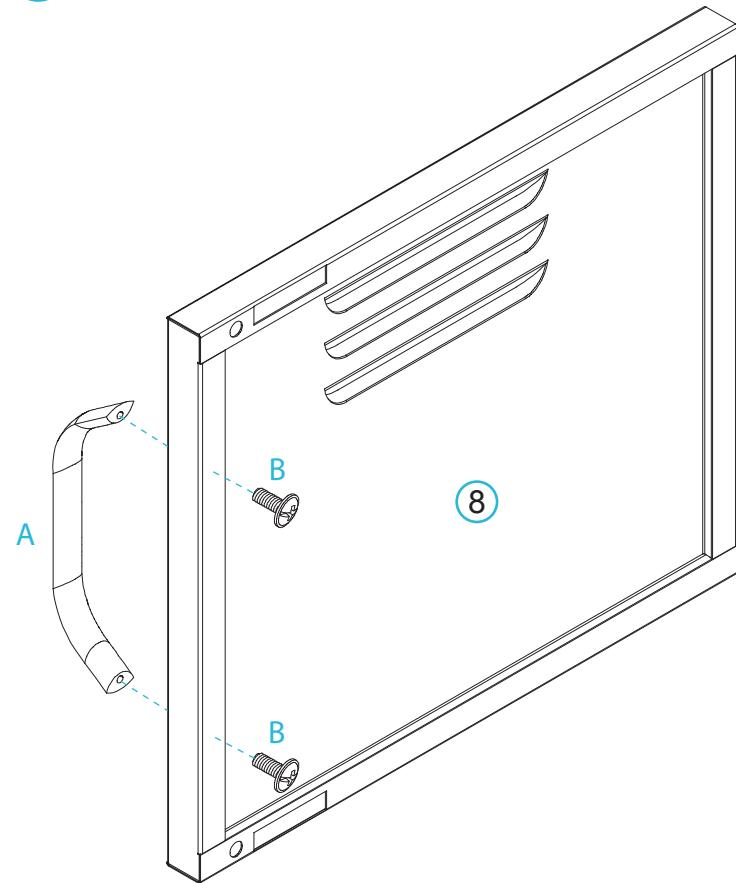
mocka

9



Secure the top panel [7] by clicking into place as shown.

10



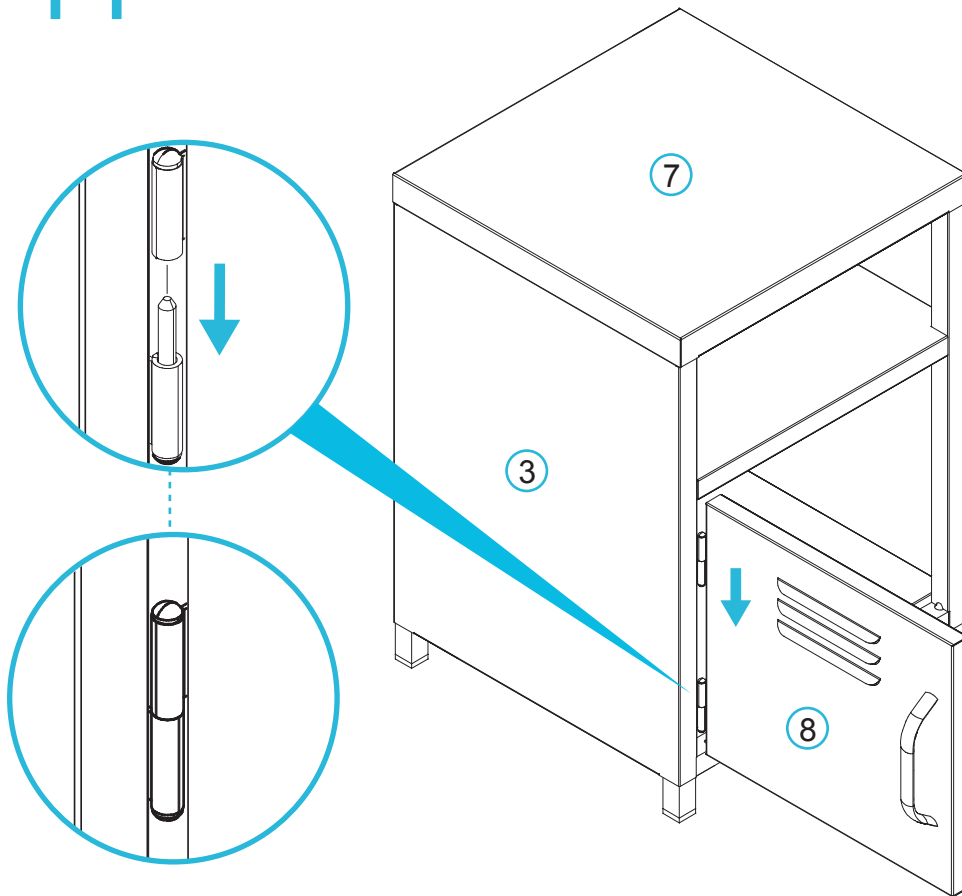
Attach the handle (B) to door panel [8] using 2x bolts (B). Tighten with a screwdriver.

# Bedside Locka

## Assembly Instructions

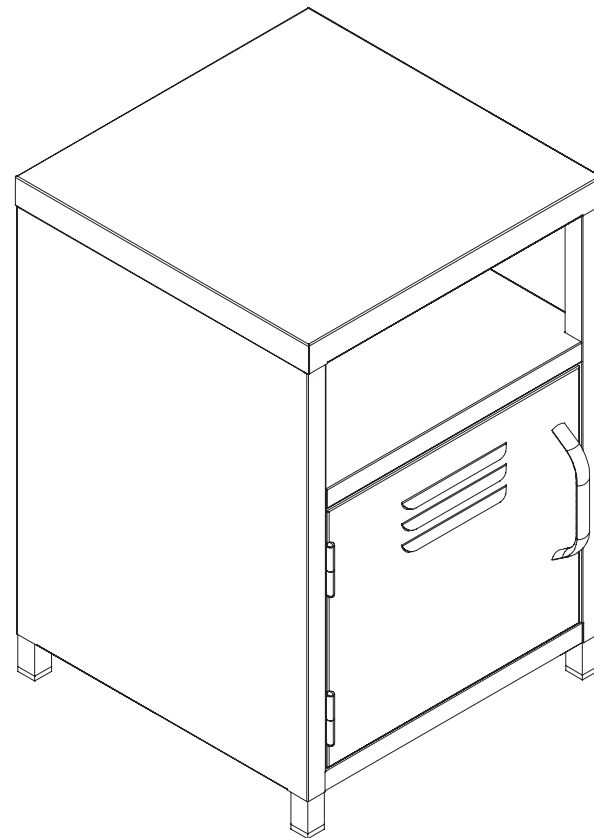
mocka

11



Attach the door panel [8] to panel [3] as shown.

12

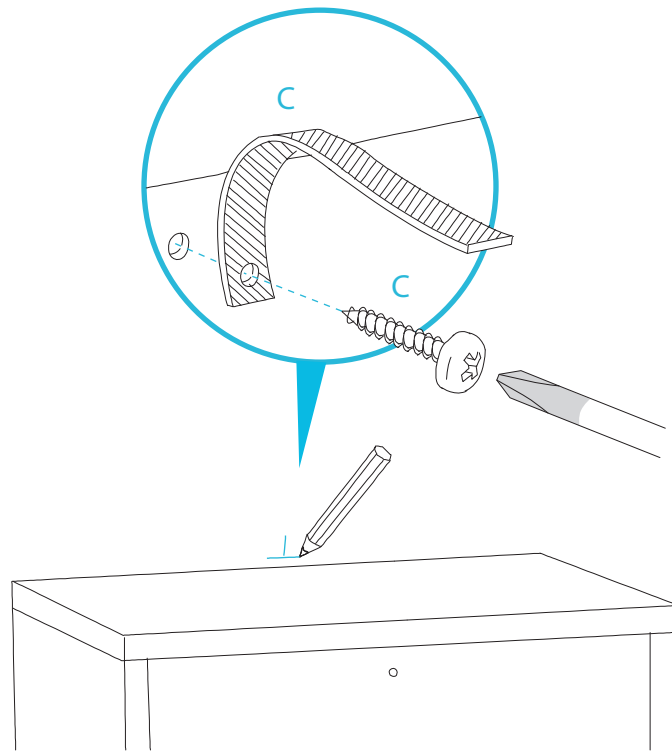


# Bedside Locka

## Assembly Instructions

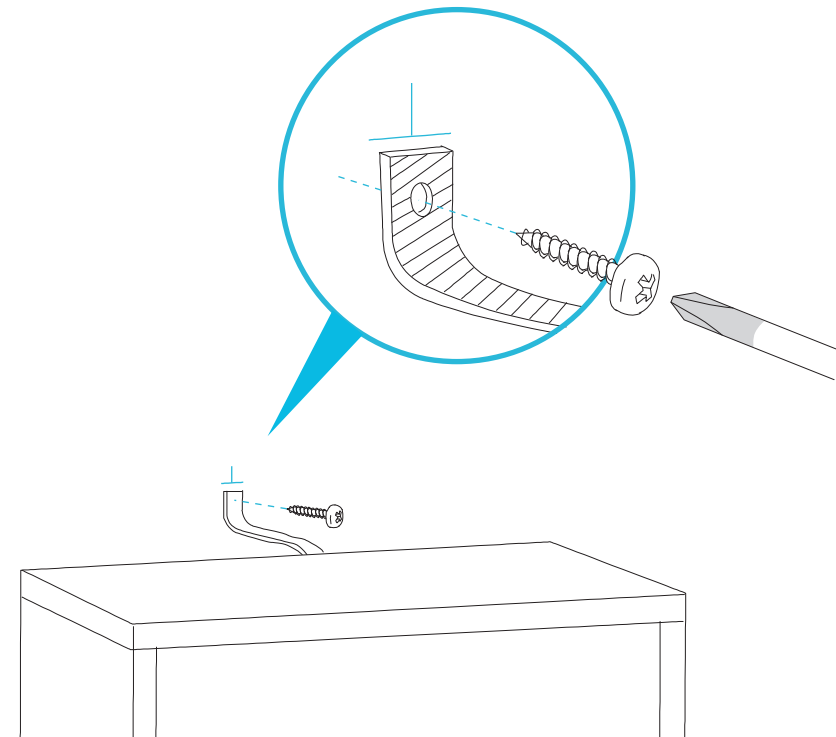
mocka

### 13 Wall Mount



Lift the completed unit into place, do not drag. Mark its height on the wall with a pencil. Attach one end of the wall mount strap (C) to the back of the unit with a 1x screw (C).

### 14



Screw the other end into the wall at the marked height with a wall screw (not supplied). You're done, enjoy!