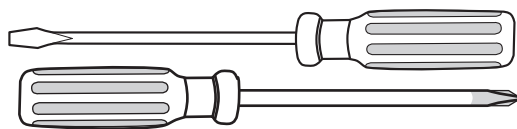
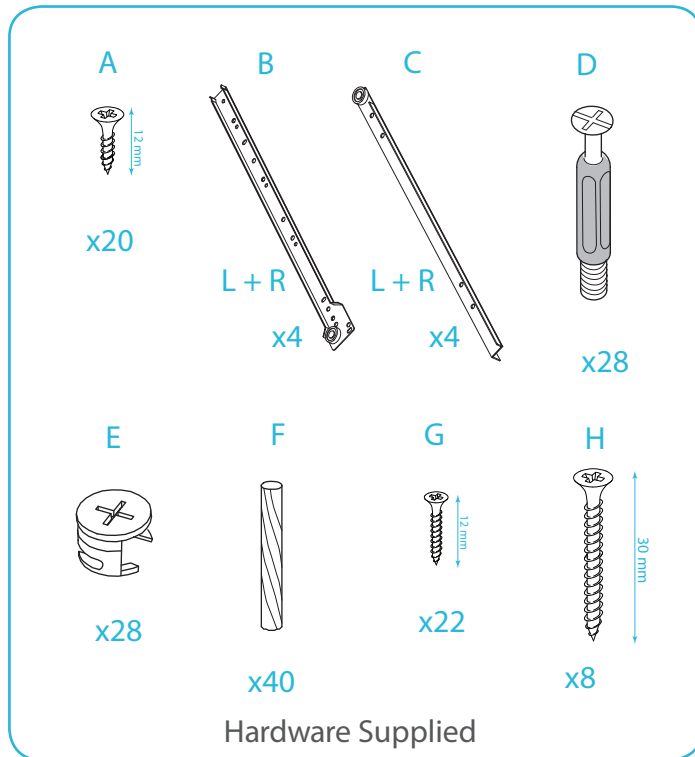


Brooklyn Change Table & Drawer Set

Assembly Instructions

mocka

Thank you for your purchase.
Please follow the instructions below for correct assembly.



Phillips & Flathead screwdrivers required

WARNING: Any furniture that is not anchored to a wall has the potential to tip over in certain circumstances, i.e. if a child attempts to climb up on the furniture or in the event of an earthquake. Accordingly, we recommend that all furniture is anchored to a wall. We supply a free safety wall anchor with all furniture sold and we recommend these are used to prevent your product tipping. The fixing device provided should fit most wall types, but please note that different wall materials may require different fixing devices from those supplied.



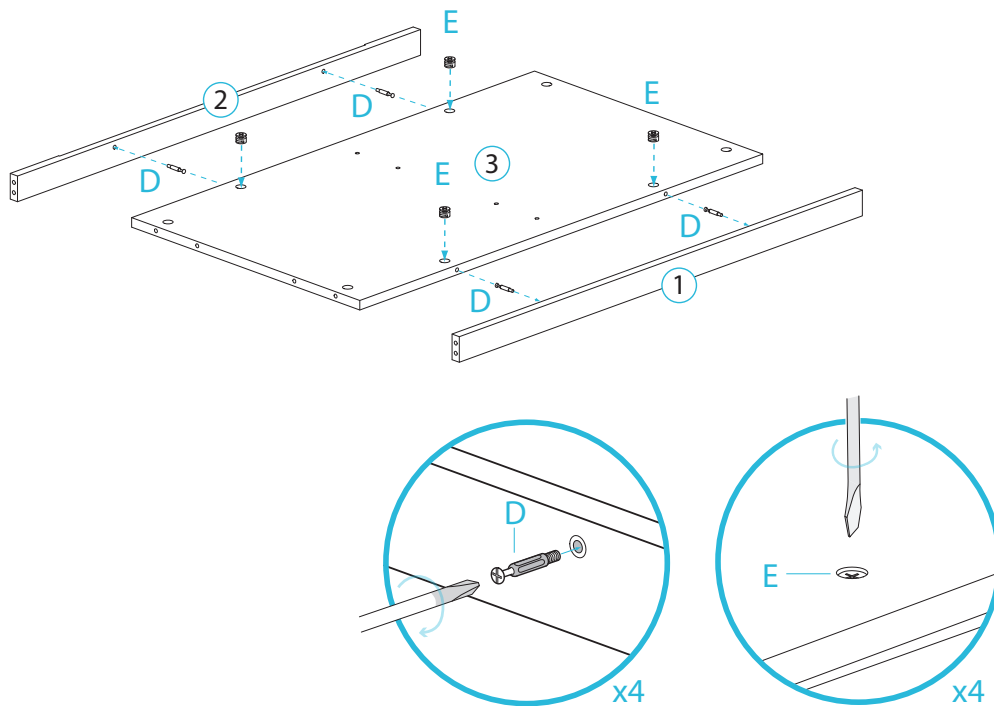
*We recommend using a Flathead screwdriver to tighten all locking nuts 100% before first use.

Brooklyn Change Table & Drawer Set

Assembly Instructions

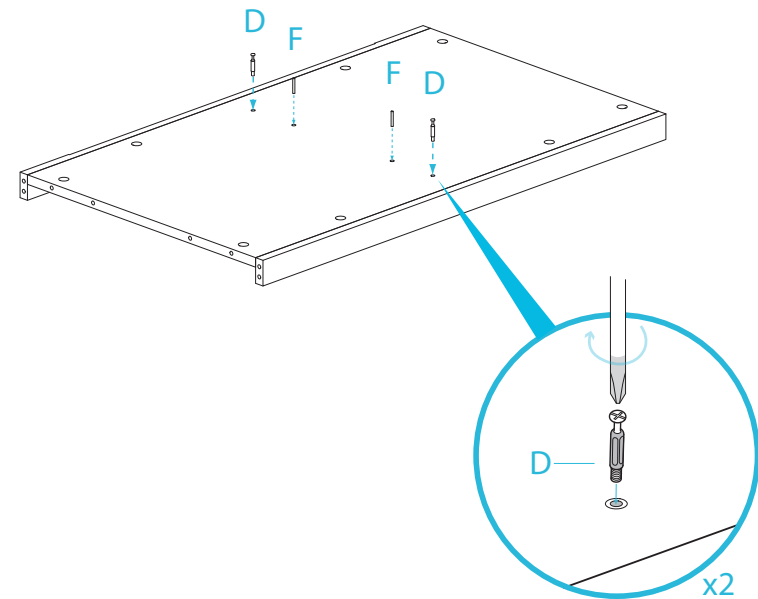
mocka

1



Begin by identifying each wooden piece using the number labels on their side. Lay them all out in order. Screw hardware (D) into holes in pieces [1] and [2]. Slot together with table pieces [3] as shown. Place locking nuts (E) into corresponding holes and tighten with a screwdriver.

2



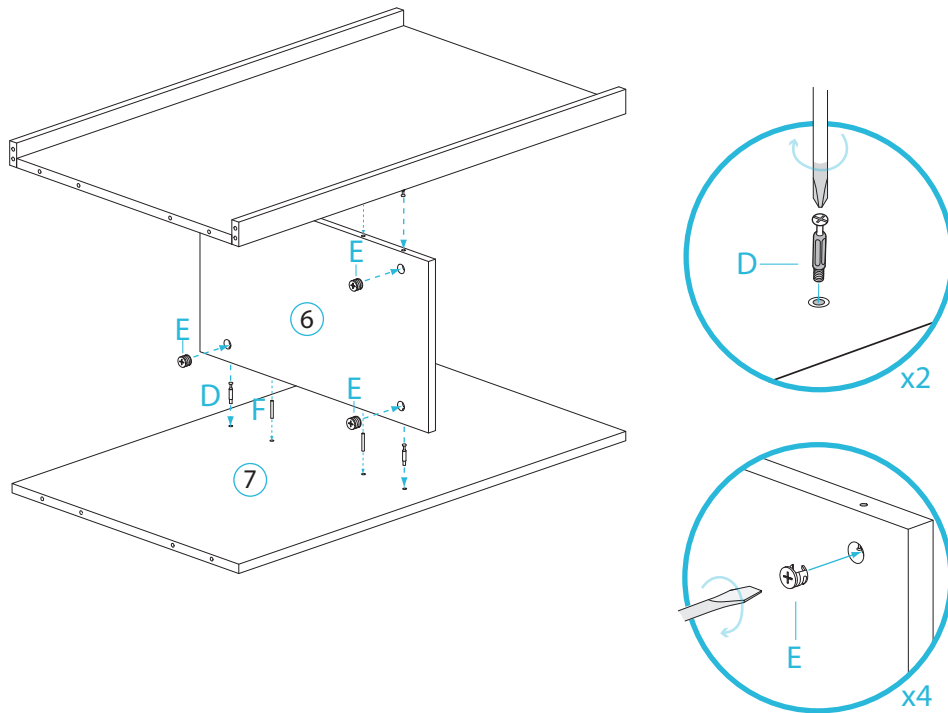
Screw hardware (D) into the pre-drilled holes in piece [3]. Push or tap in two wooden dowels (F) into piece [3] as shown.

Brooklyn Change Table & Drawer Set

Assembly Instructions

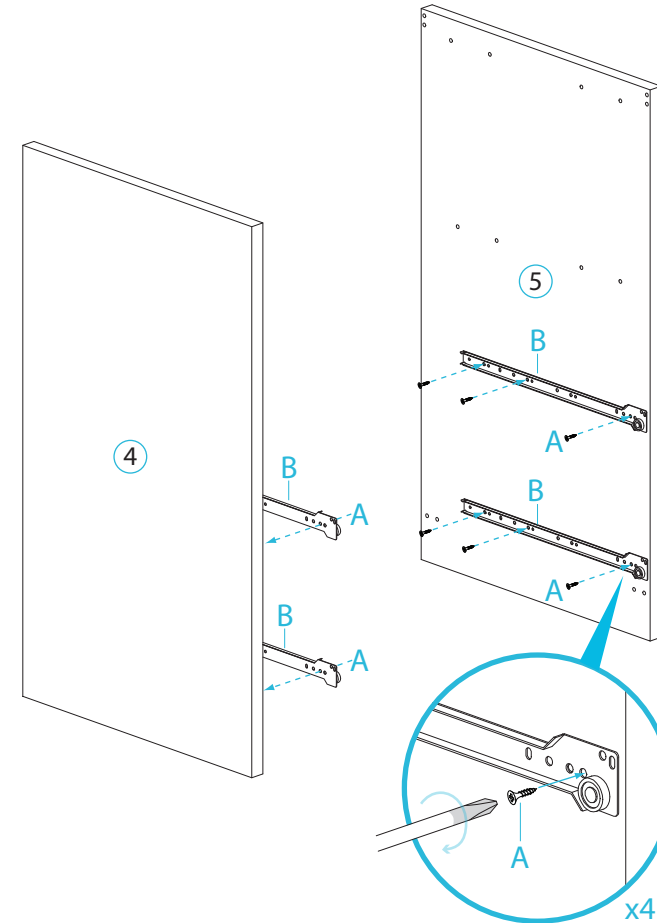
mocka

3



Flip table top over and slot into piece [6]. Screw in two bolts (D) and two dowels (F) into shelf piece [7]. Push nut (E) into holes in piece [6] as shown and tighten with a screwdriver.

4

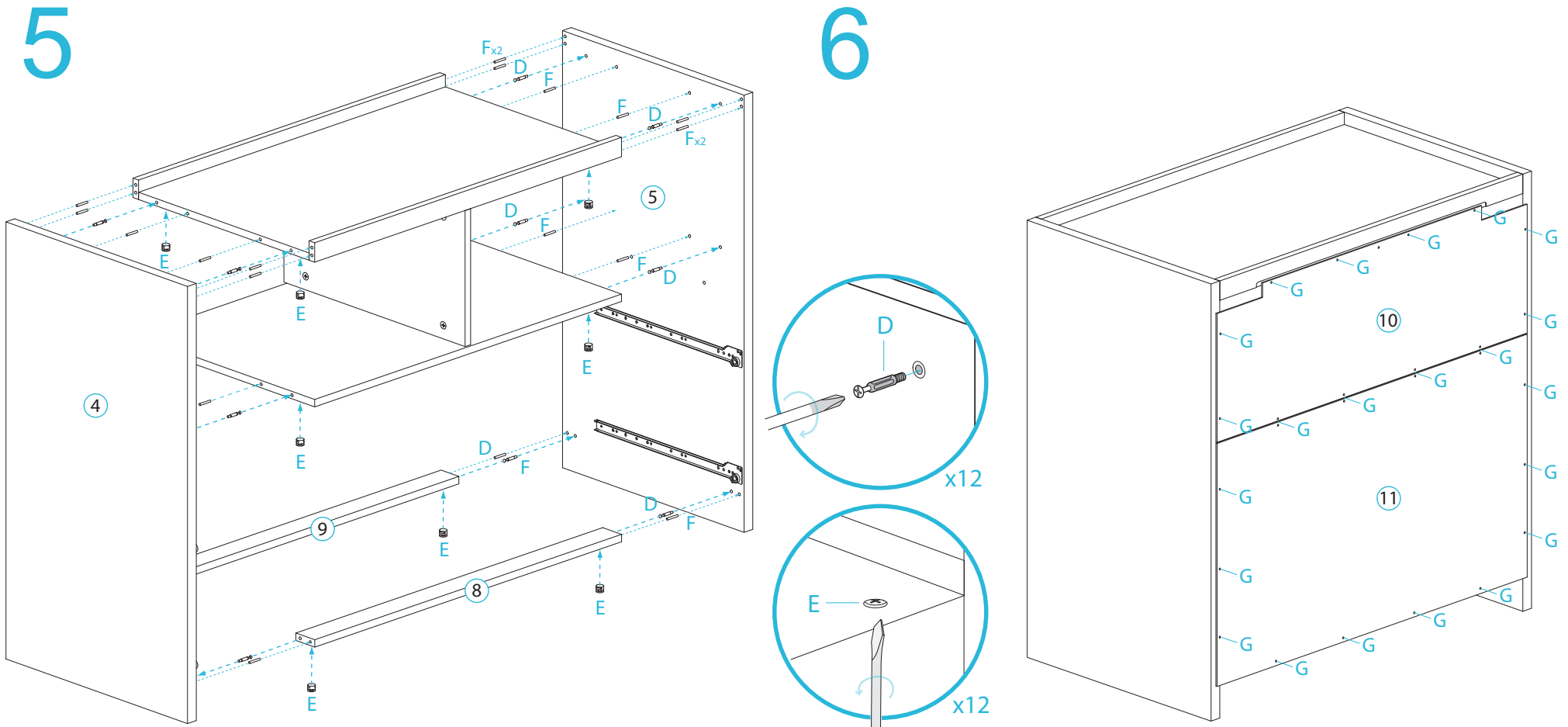


Find pieces [4] and [5]. Line up two drawer rails (B) with corresponding holes on each wooden piece as shown above. Fasten to wood using three screws (A) in each.

Brooklyn Change Table & Drawer Set

Assembly Instructions

mocka



Screw bolts (D) and dowels (F) into side panels [4] and [5] as shown. Slot (D) and (F) into each end of pieces [8] and [9]. Slide table and shelf piece, and braces [8] & [9] together between side panels. Secure by placing hardware (E) in corresponding holes in the underside of pieces [3, 7, 8, & 9]. Tighten until rigid.

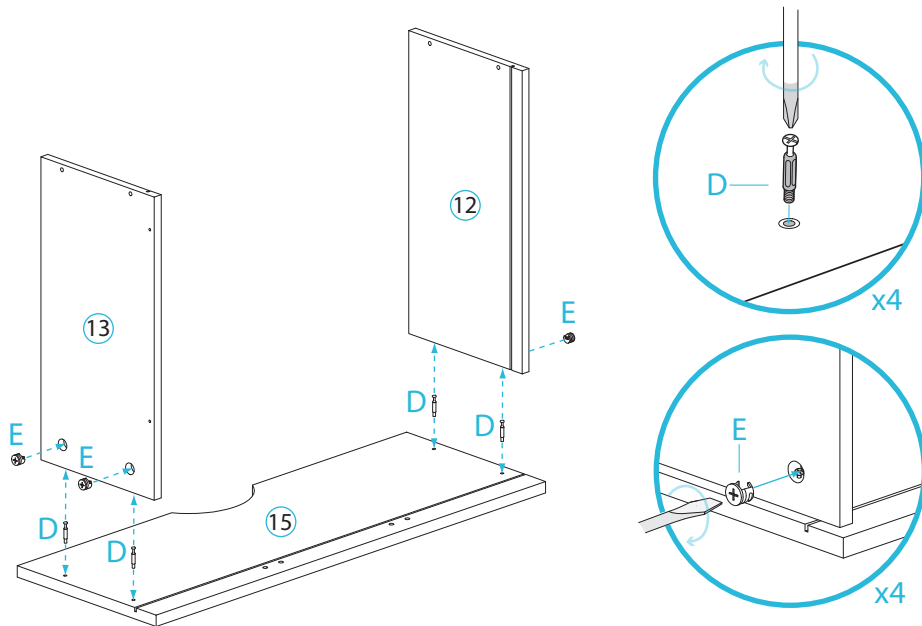
On the back side of the set, fit boards [10] and [11] into the grooves. Use small screws (G) all around to fasten boards to the change table unit.

Brooklyn Change Table & Drawer Set

Assembly Instructions

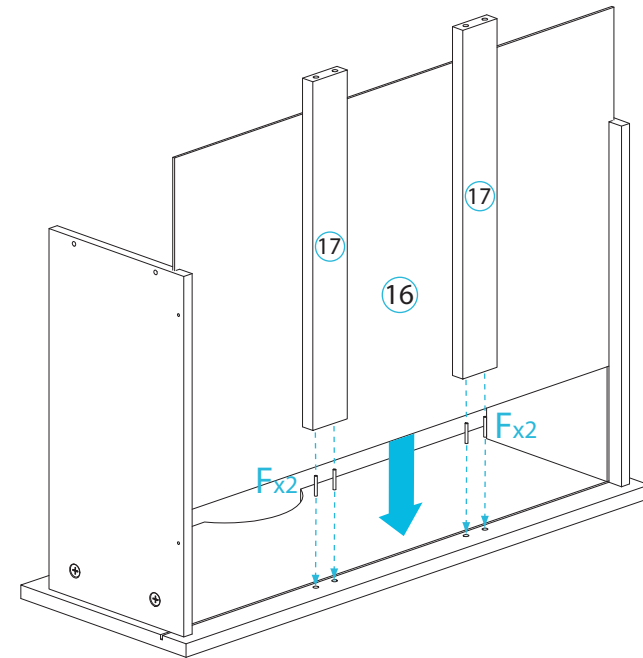
mocka

7 Drawers (x2)



To assemble the drawers, first screw 4x bolts (D) into front panel [15]. Fit panels [12] and [13] over the bolts as shown, ensuring the grooves in panels face inwards. Secure using 4x locking nuts (E) and tighten with a screwdriver.

8 Drawers (x2)



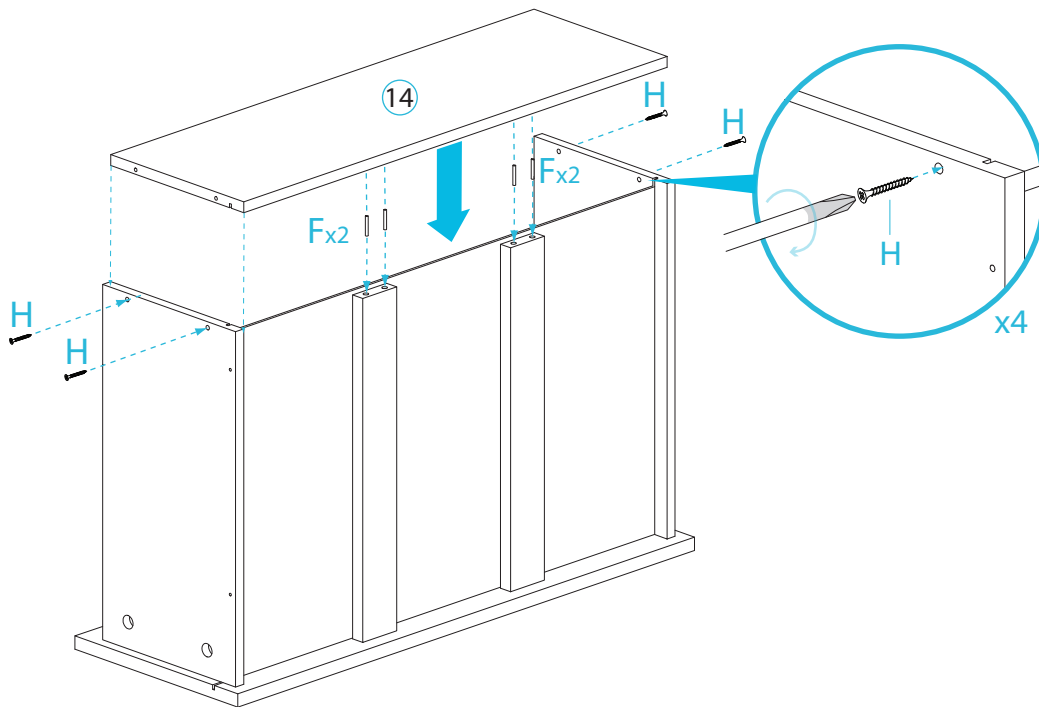
Slot panel [16] down into grooves in the side and front panels. Insert 2x dowels (F) into the end of both support braces [17] and peg into holes in front panel [15].

Brooklyn Change Table & Drawer Set

Assembly Instructions

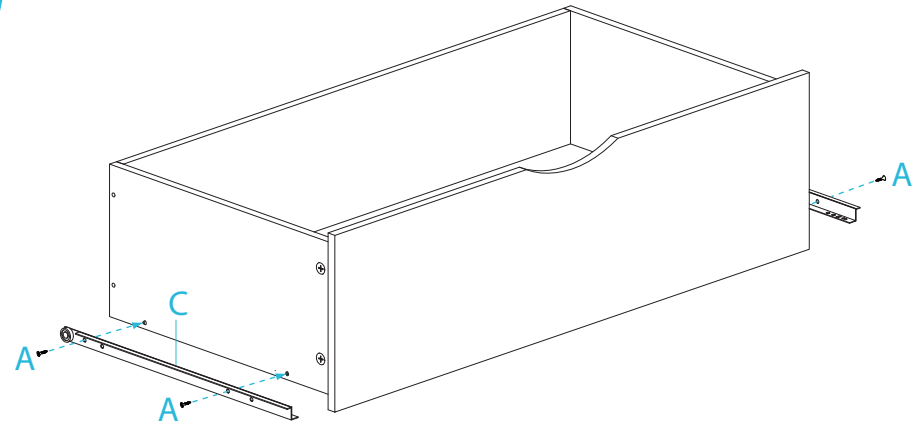
mocka

9 Drawers (x2)



Insert 2x dowels (F) into the other end of each support piece [17]. Place back panel [14] into position on dowels and fasten into place using 4x screws (H).

10 Drawers (x2)



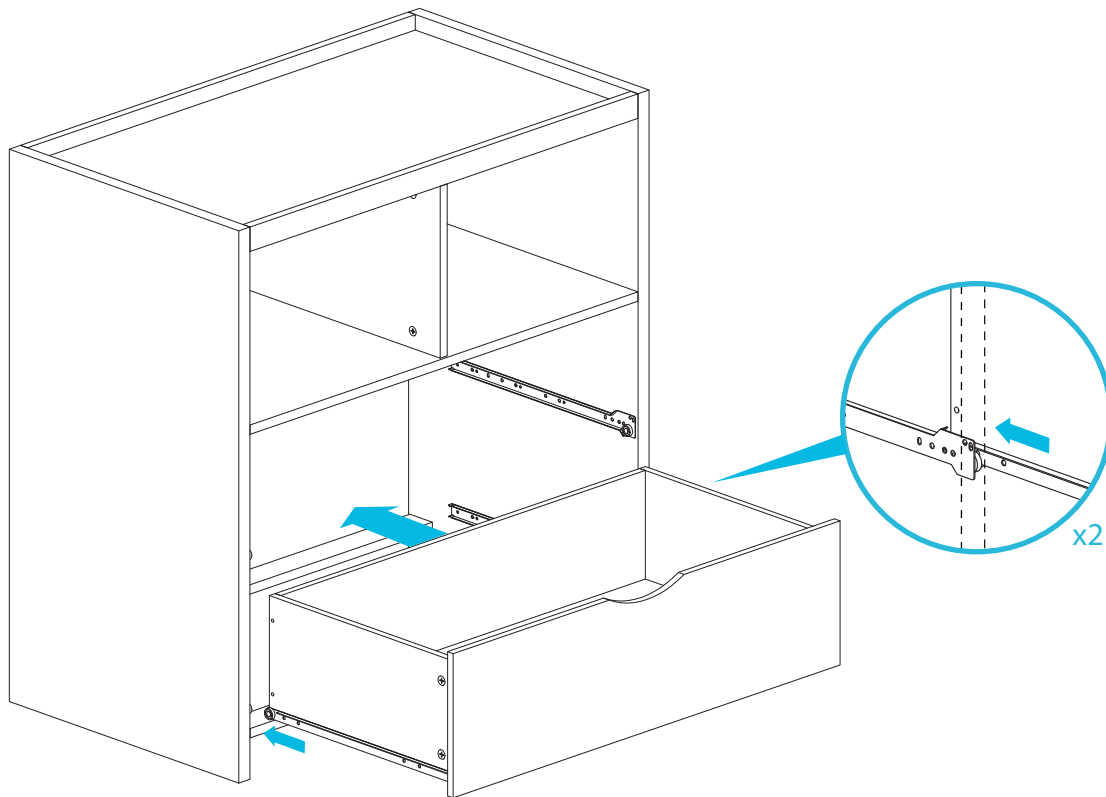
Finally, attach rail hardware (C) to both left and right side of the drawer using screws (A). Repeat Steps 7 to 10 until all four drawers are fully assembled.

Brooklyn Change Table & Drawer Set

Assembly Instructions

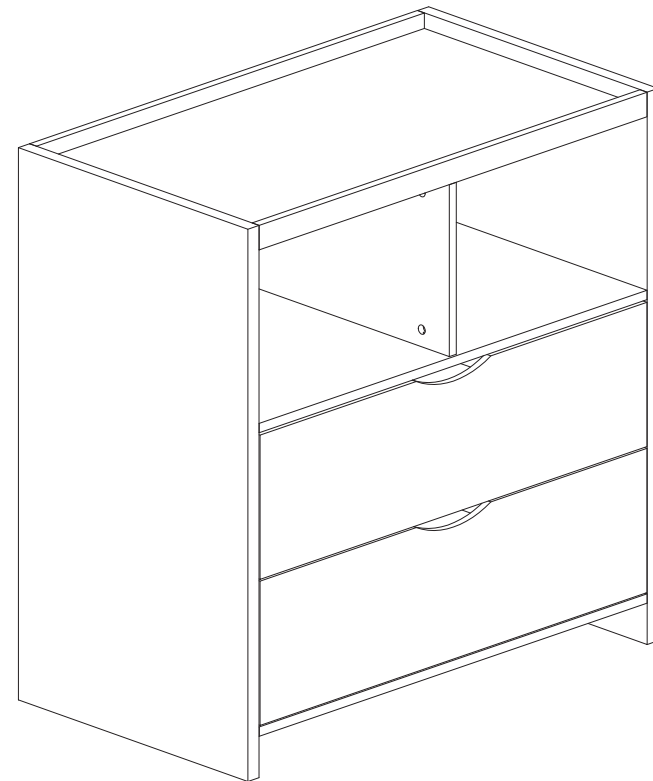
mocka

11



Now both drawers are made up, slide them into rails in the change table unit.

12



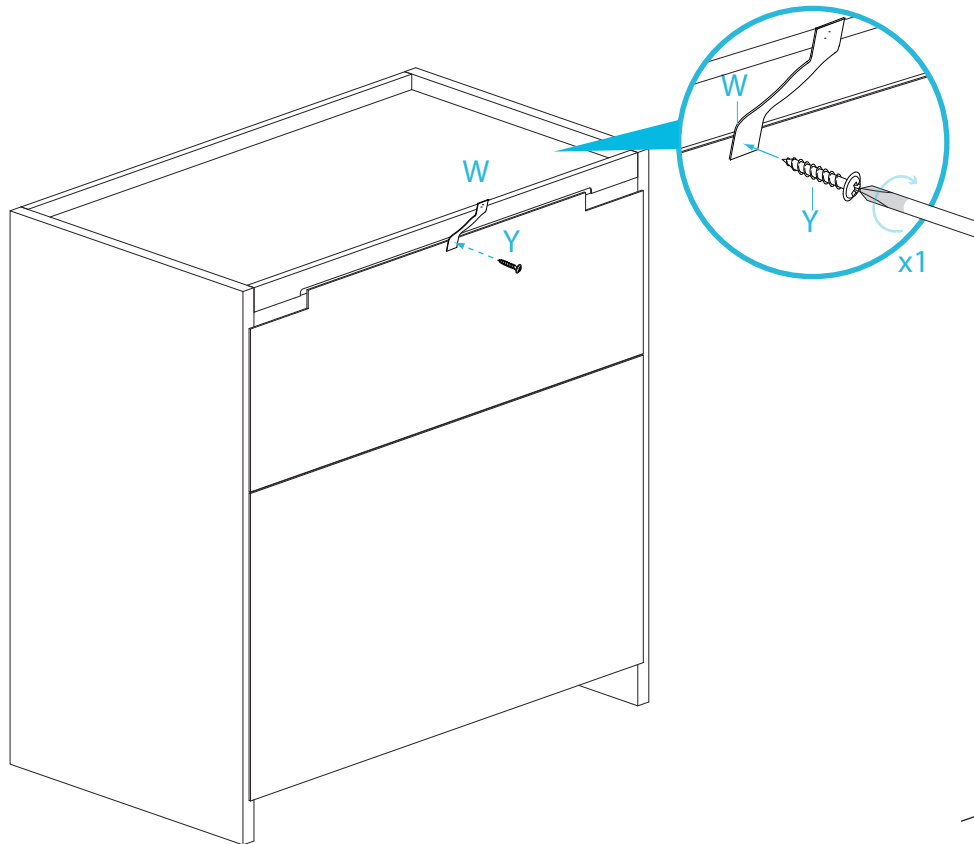
Ensure the drawers easily slide open and closed.

Brooklyn Change Table & Drawer Set

Assembly Instructions

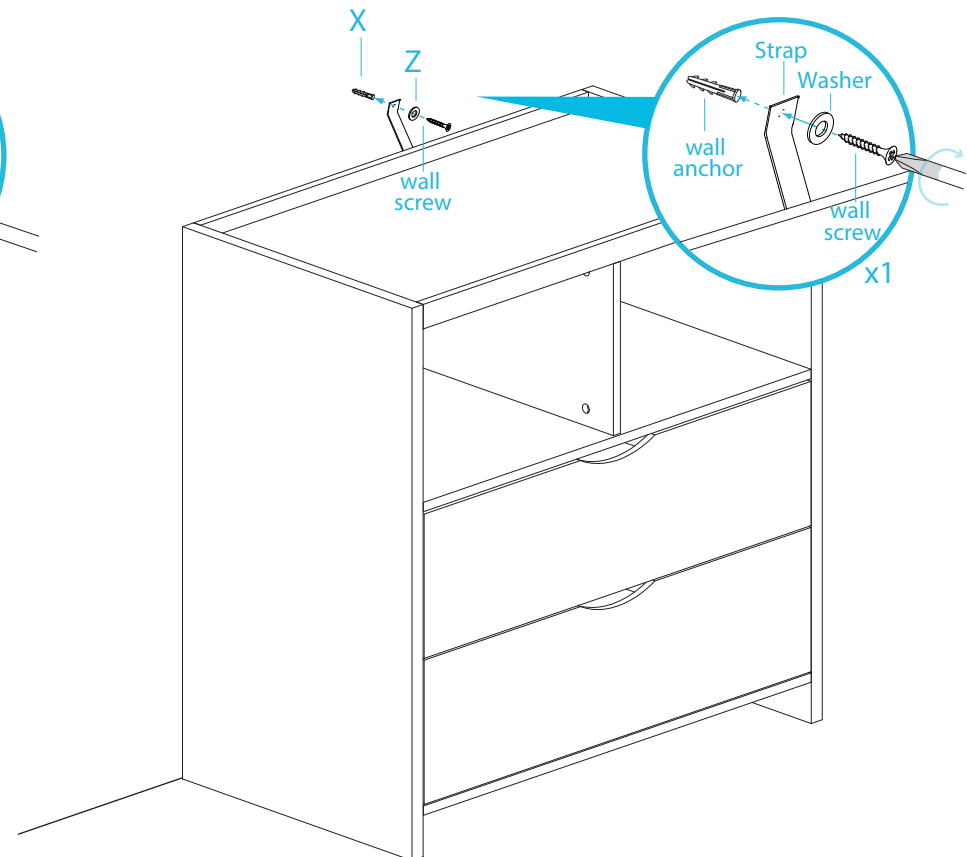
mocka

13 Wall Strap



Attach the safety strap (W) to the top of the back side of the unit using screw (Y). Tighten with a screwdriver.

14



Once assembled lift furniture into place, do not drag. Use a drill to create a small hole lining up with the top of the safety strap (W). Fasten to wall using wall anchor (X), washer (Z) and screw. Ensure the unit is balanced and steady before use. You're done, enjoy!