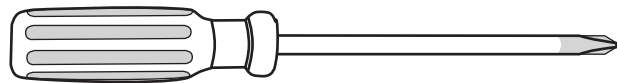
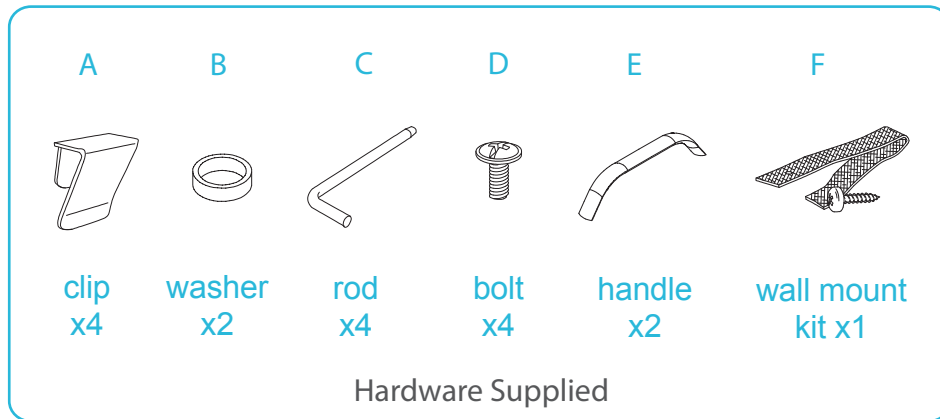


# Two Door Storage Locker

## Assembly Instructions

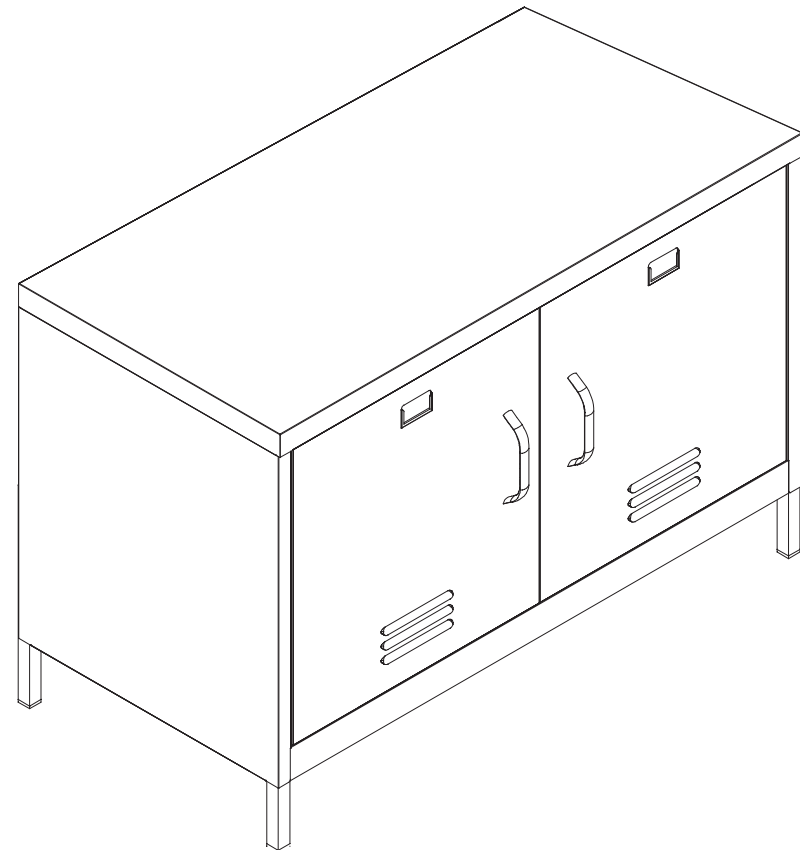
Thank you for your purchase.  
Please follow the instructions below for correct assembly.

# mocka



Phillips screwdriver required

**WARNING:** Any furniture that is not anchored to a wall has the potential to tip over in certain circumstances, i.e. if a child attempts to climb up on the furniture or in the event of an earthquake. Accordingly, we recommend that all furniture is anchored to a wall. We supply a free safety wall anchor with all furniture sold and we recommend these are used to prevent your product tipping. The fixing device provided should fit most wall types, but please note that different wall materials may require different fixing devices from those supplied.

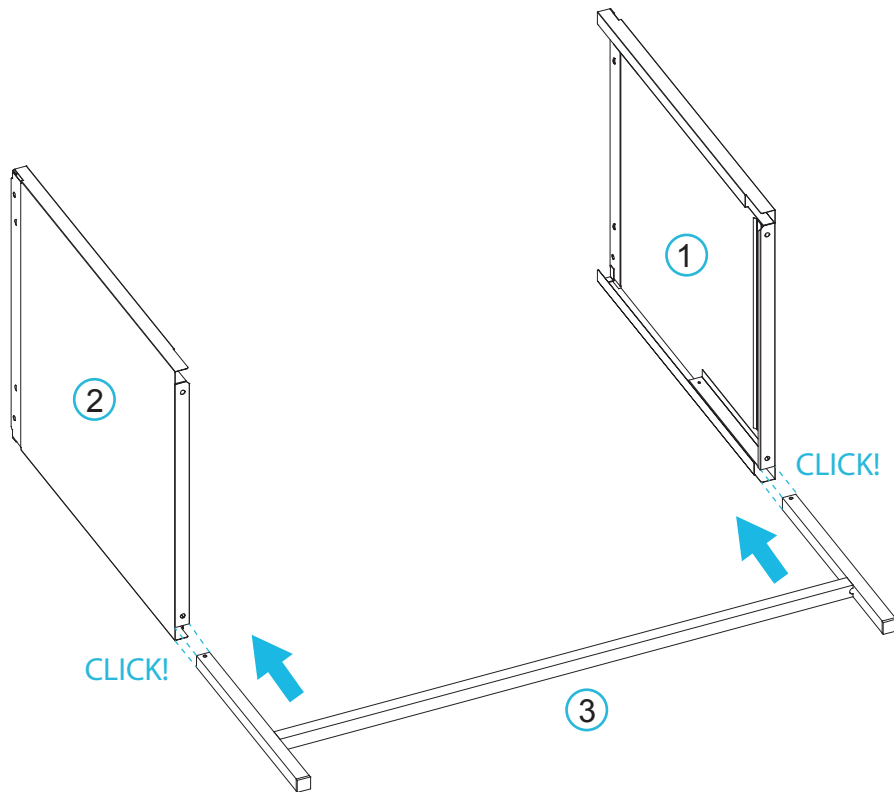


# Two Door Storage Locker

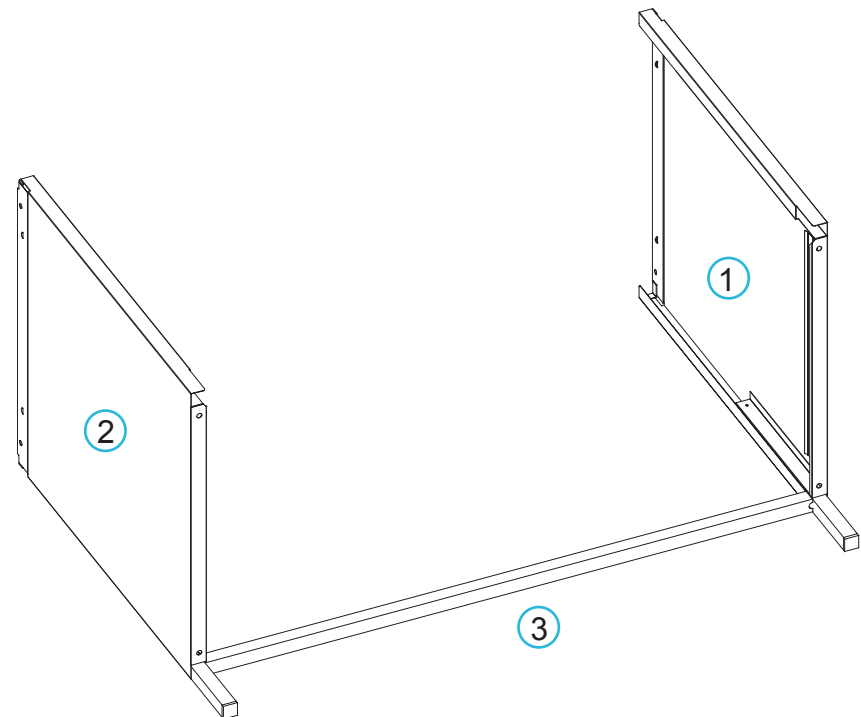
## Assembly Instructions

mocka

1



2



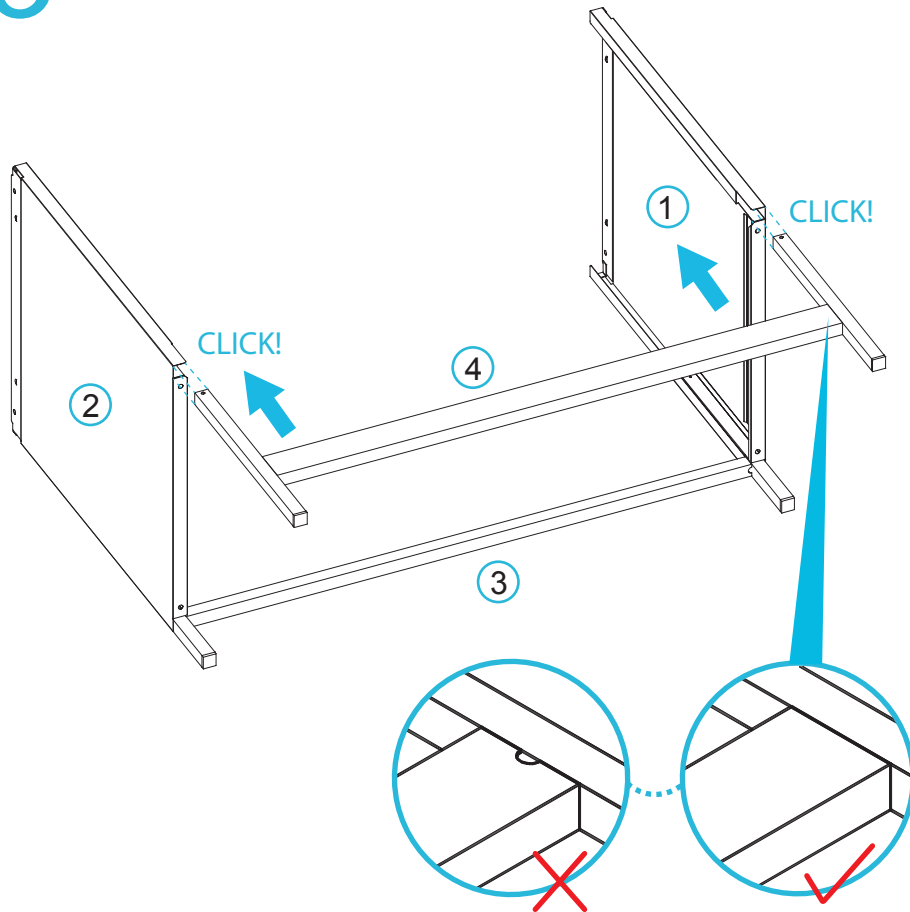
Slide the legs [3] into the bottom of panels [1] and [2] until they click into place.

# Two Door Storage Locker

## Assembly Instructions

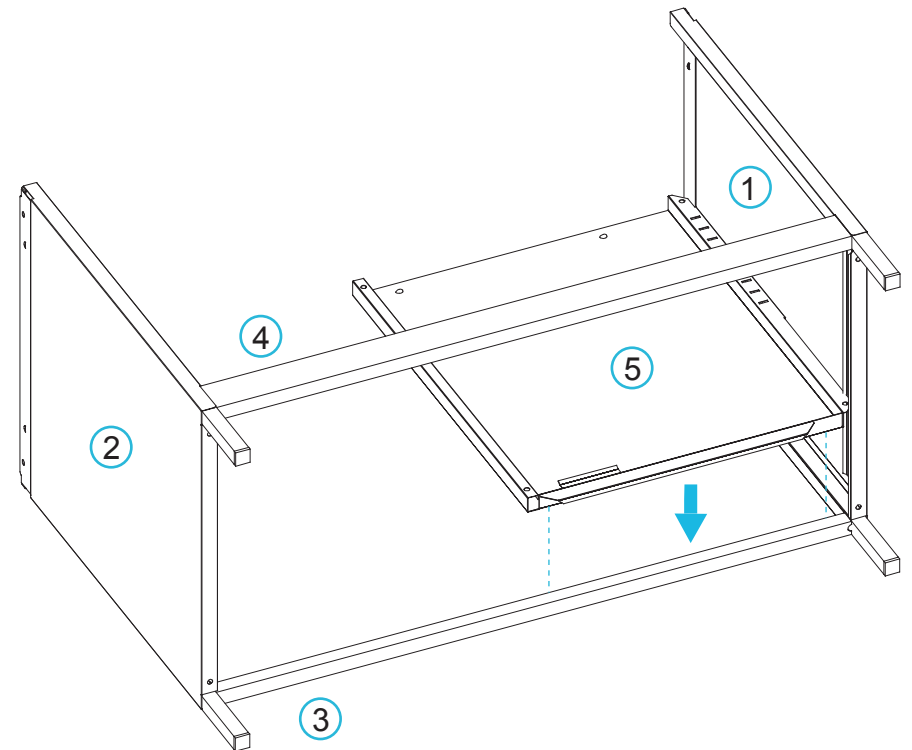
mocka

3



Slide the legs [4] into the bottom of panels [1] and [2] until they click into place.

4



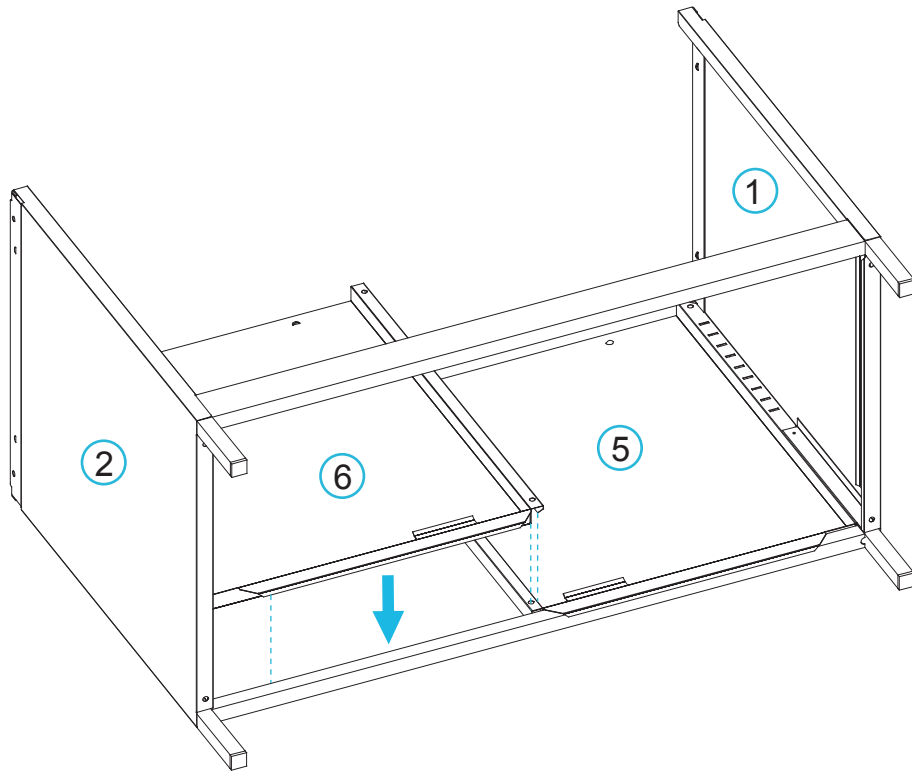
Attach panel [5] to panels [1] and [3] as shown.

# Two Door Storage Locker

## Assembly Instructions

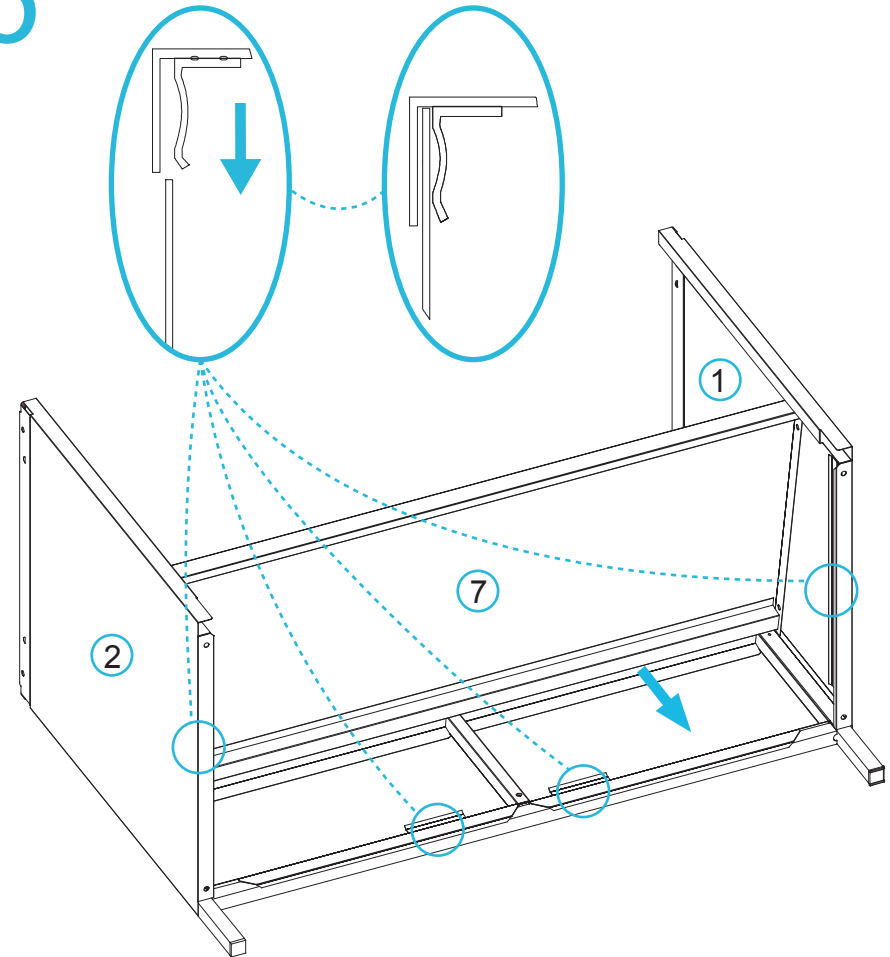
mocka

5



Attach panel [6] between panels [2] and [5] as shown.

6

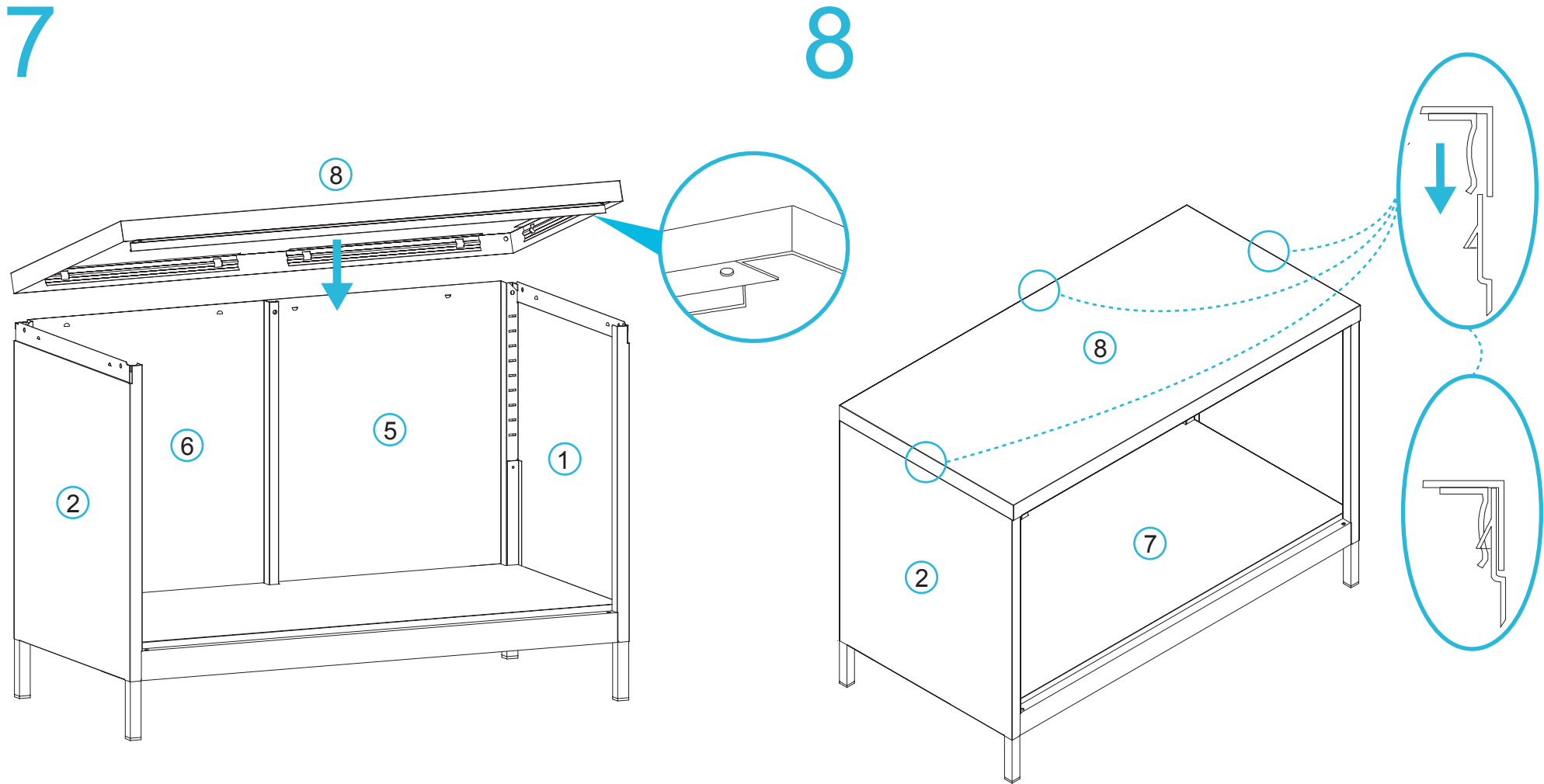


Secure the bottom panel [7] by clicking into place as shown.

# Two Door Storage Locker

## Assembly Instructions

mocka



Attach the top panel [8] as shown.

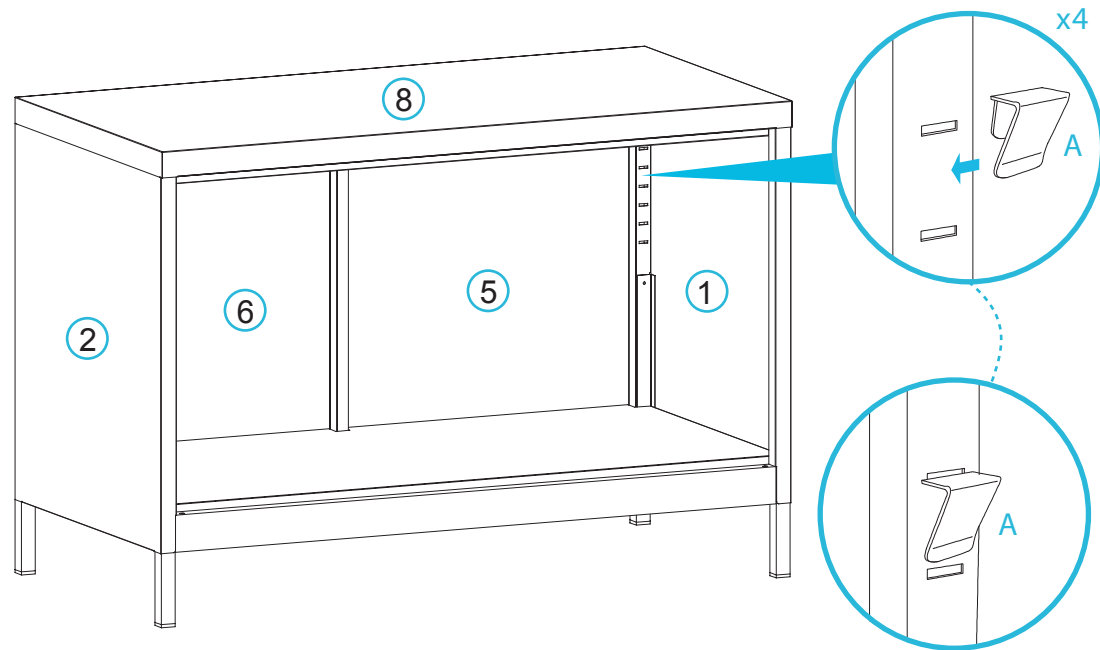
Secure the top panel [8] by clicking into place as shown.

# Two Door Storage Locker

## Assembly Instructions

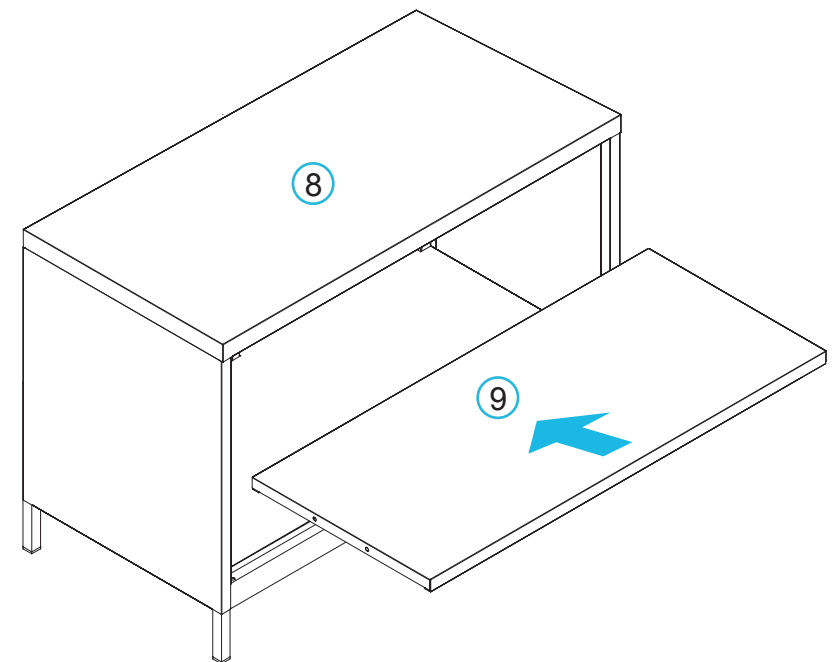
mocka

9



Insert 4x clips (A) into the back and front clip brackets at your desired shelf height as shown.

10



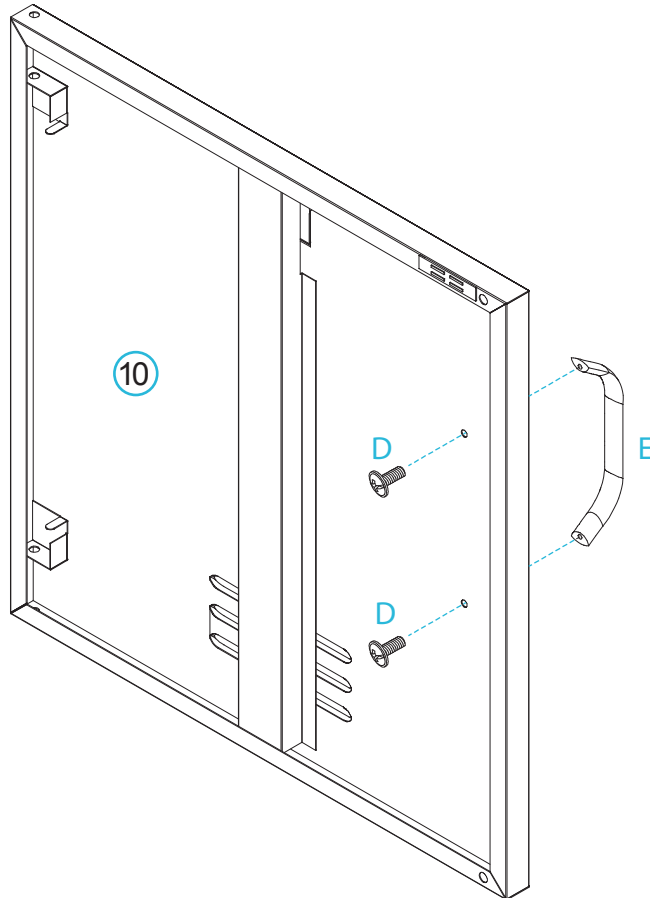
Place panel [9] into the unit over the clips to form the shelf.

# Two Door Storage Locker

## Assembly Instructions

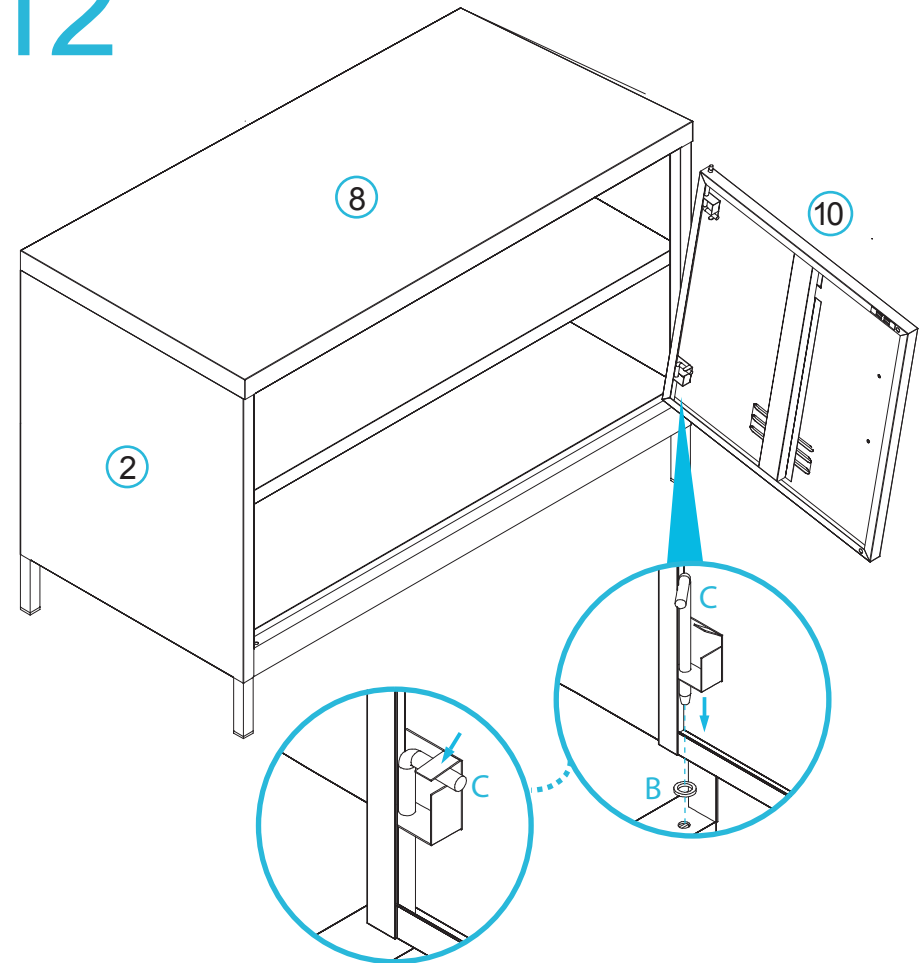
mocka

11



Attach handle (E) to door panel [10] with 2x bolts (D) and tighten with a screwdriver.

12



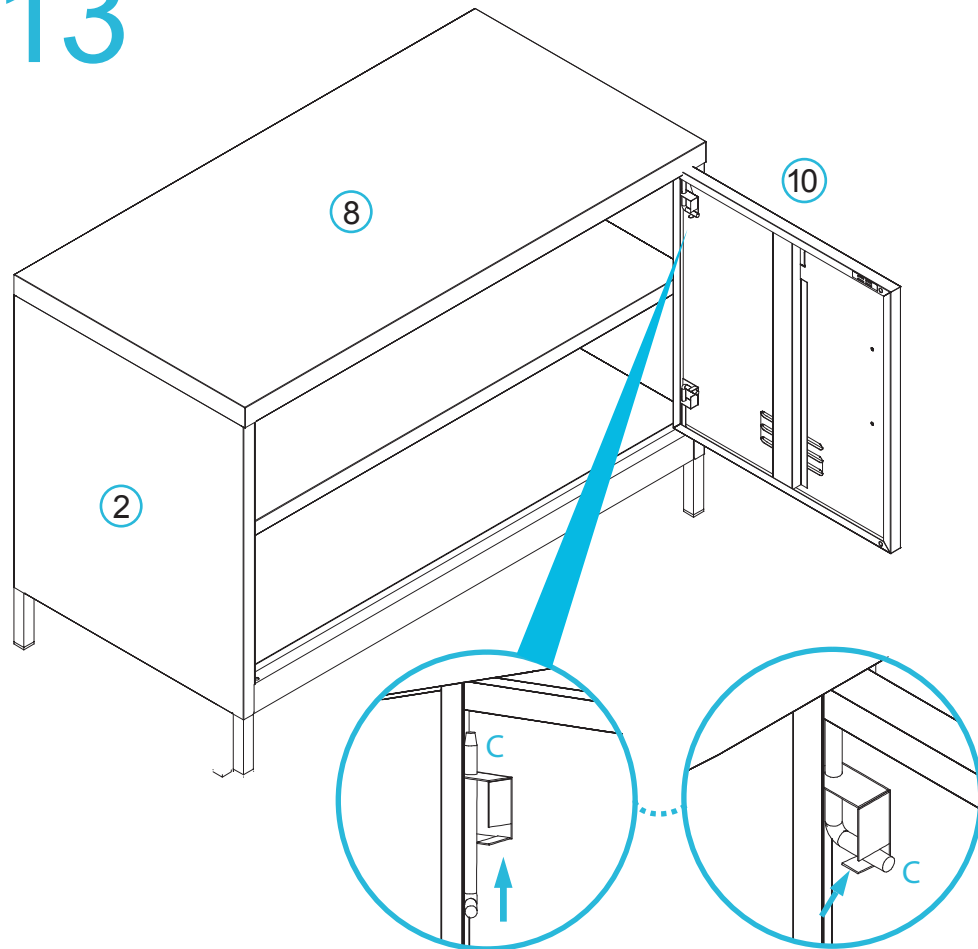
Attach the bottom of the door by inserting 1x washer (B) and 1x rod (C) through the door panel [10] as shown. Twist the rod into place and secure by bending the clasp down.

# Two Door Storage Locker

## Assembly Instructions

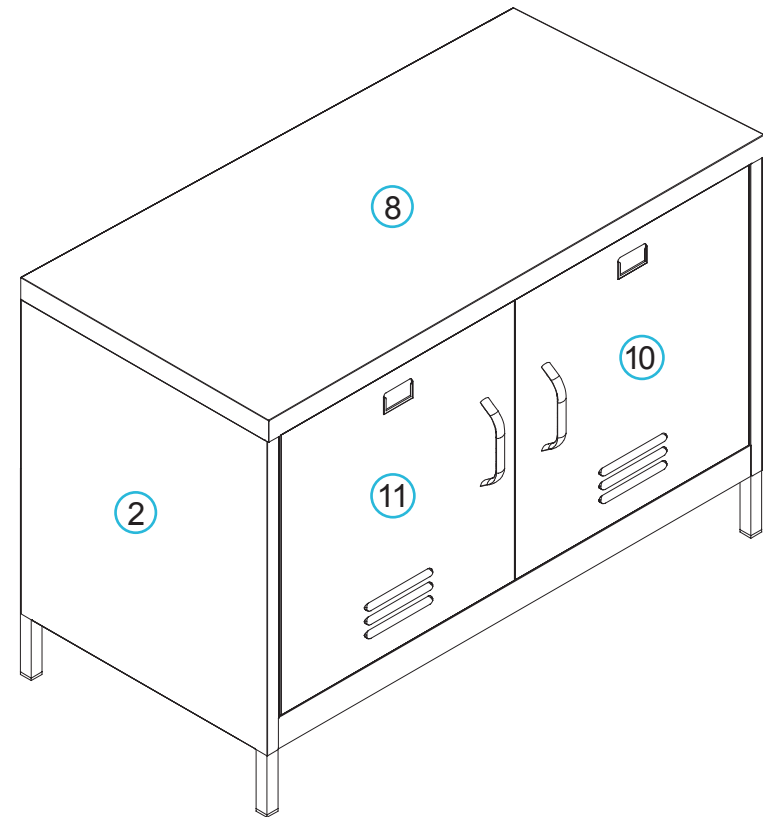
mocka

13



To attach the top of the door, insert 1x rod (C) through the door panel as shown. Twist the rod into place and secure by bending the clasp up onto it.

14



Repeat Steps 11 to 13 to attach the other door [11].

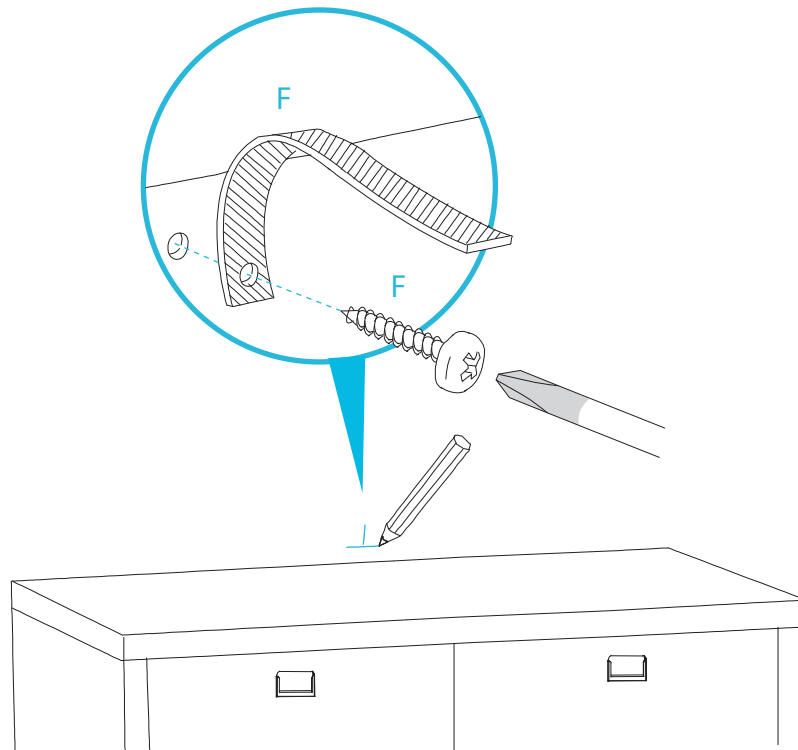


# Two Door Storage Locker

## Assembly Instructions

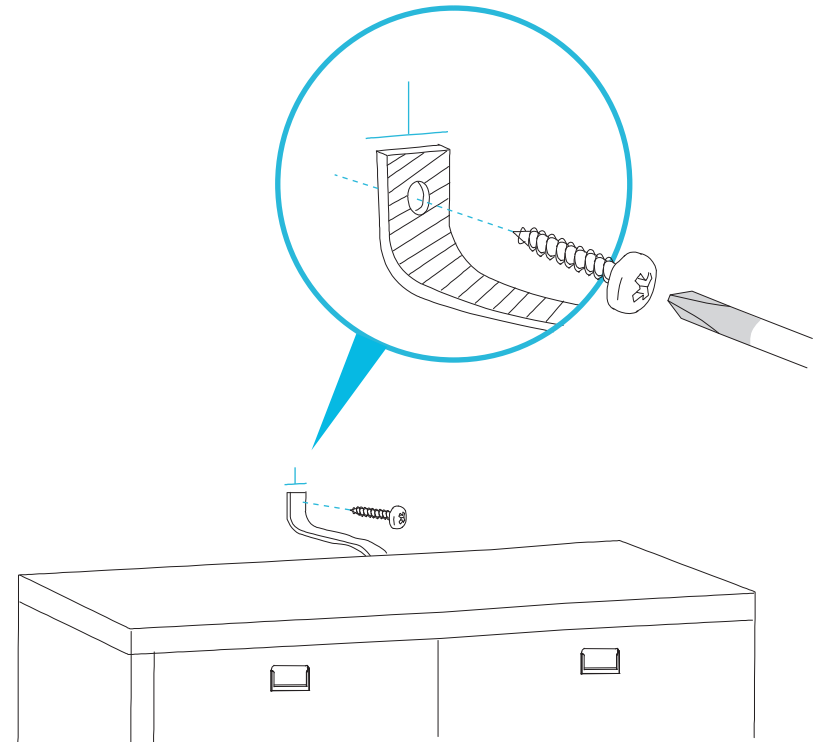
mocka

### 15 Wall Mount



Lift the completed unit into place, do not drag. Mark its height on the wall with a pencil. Attach one end of the wall mount strap (F) to the back of the unit with a 1x screw (F).

### 16



Screw the other end into the wall at the marked height with a wall screw (not supplied). You're done, enjoy!