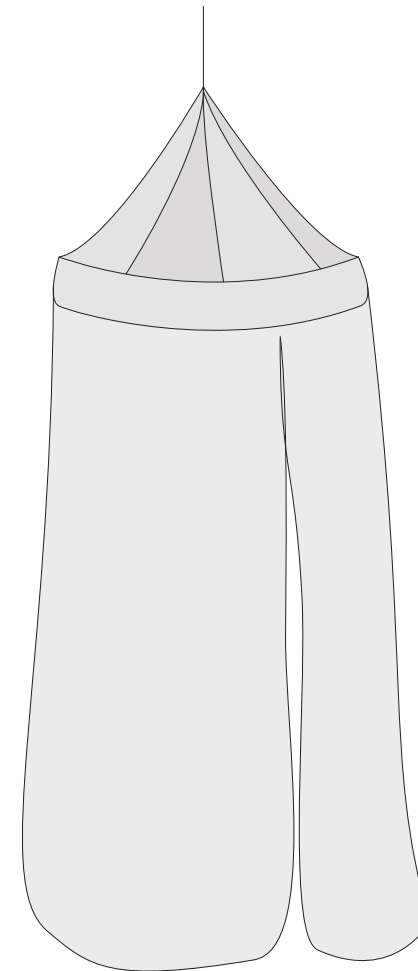
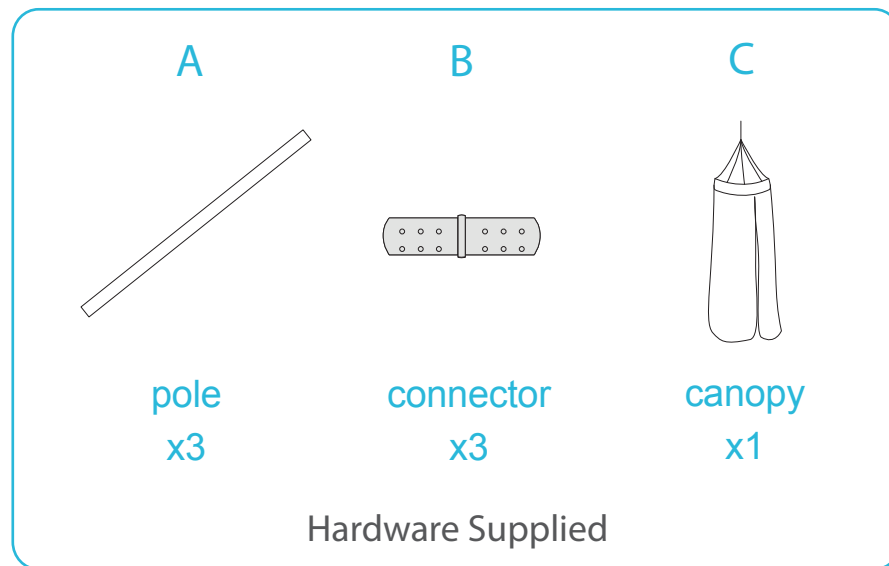


# Mia Canopy

## Assembly Instructions

Thank you for your purchase.  
Please follow the instructions below for correct assembly.

# mocka

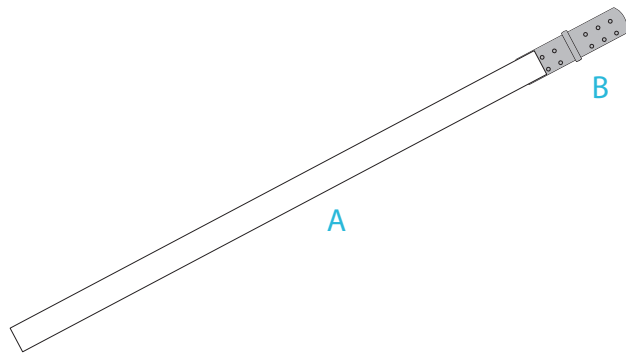


# Mia Canopy

## Assembly Instructions

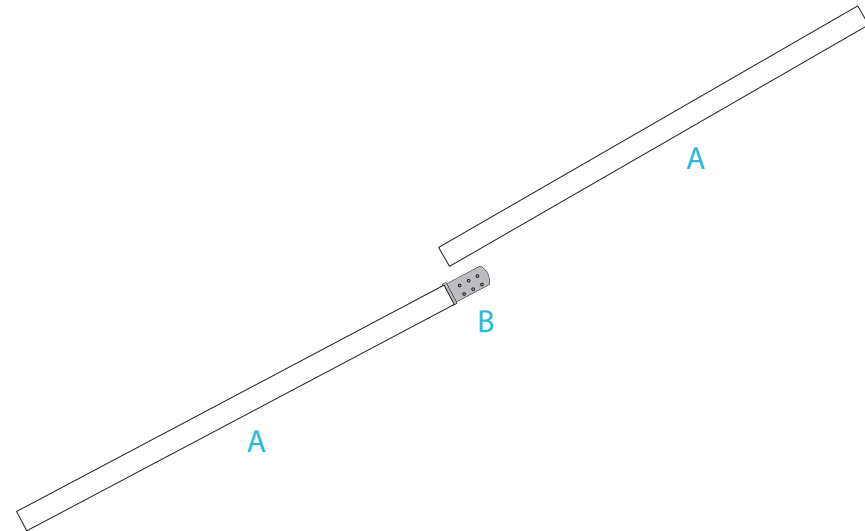
mocka

1



Attach 1x connector (B) to 1x pole (A).

2



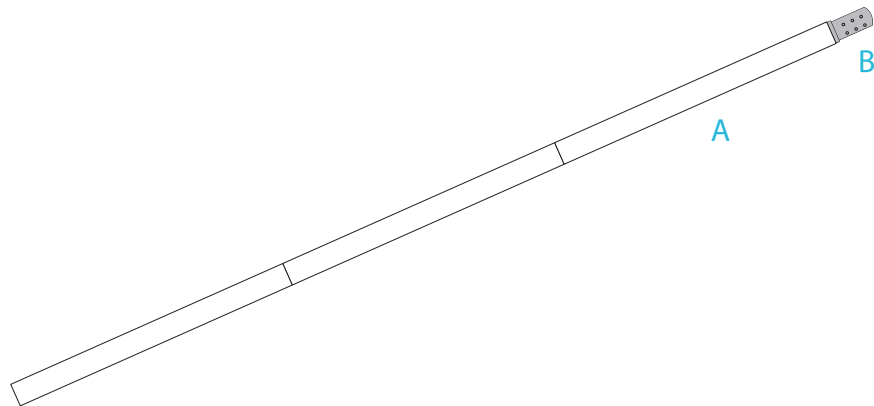
Attach another pole (A) to the connector (B).

# Mia Canopy

## Assembly Instructions

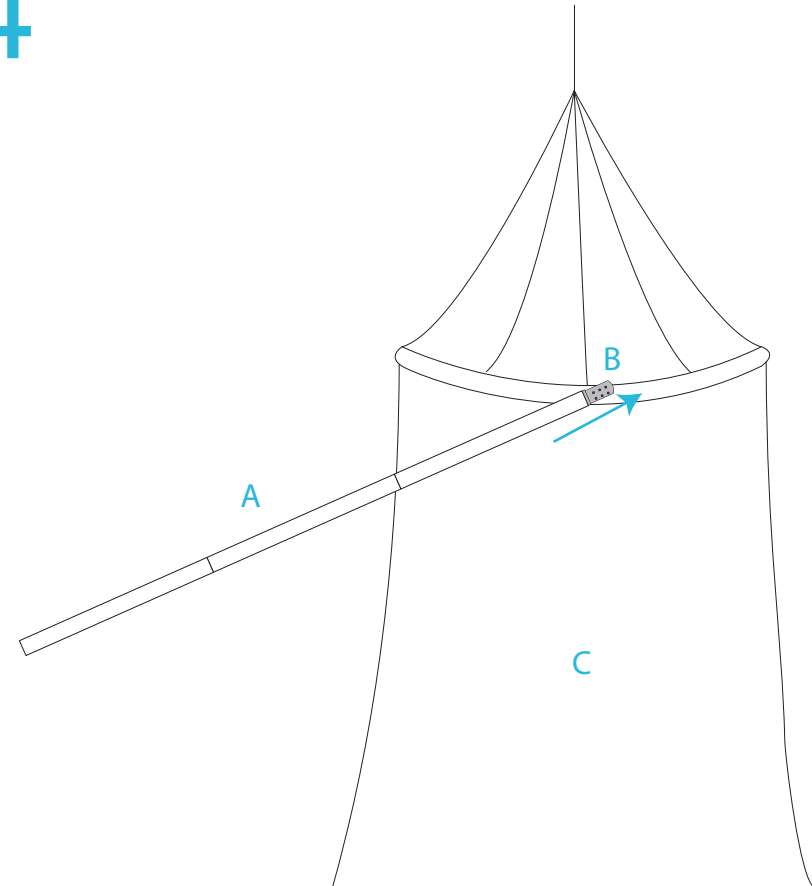
mocka

3



Attach the third pole (A) to another connector (B), and attach one more connector (B) to the end.

4



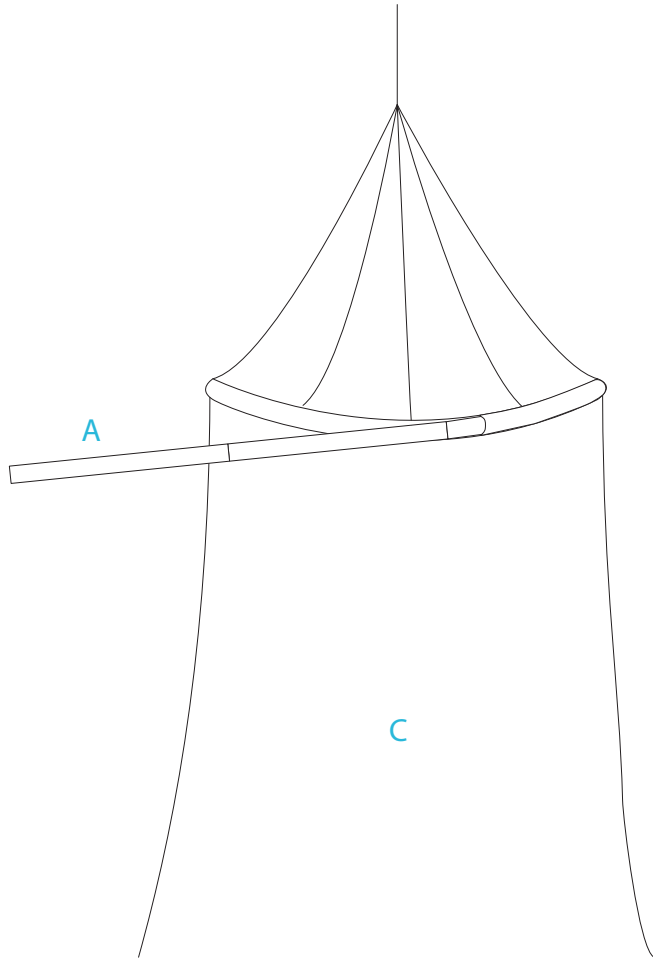
Insert the pole into the inner sleeve of the canopy (C) as shown.

# Mia Canopy

## Assembly Instructions

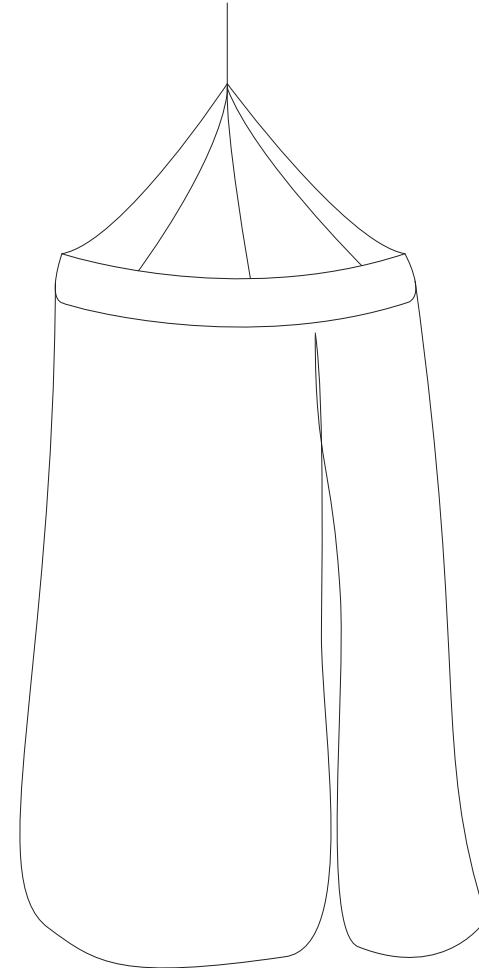
mocka

5



Connect the poles (A) together inside the sleeve.

6



You're done, enjoy!