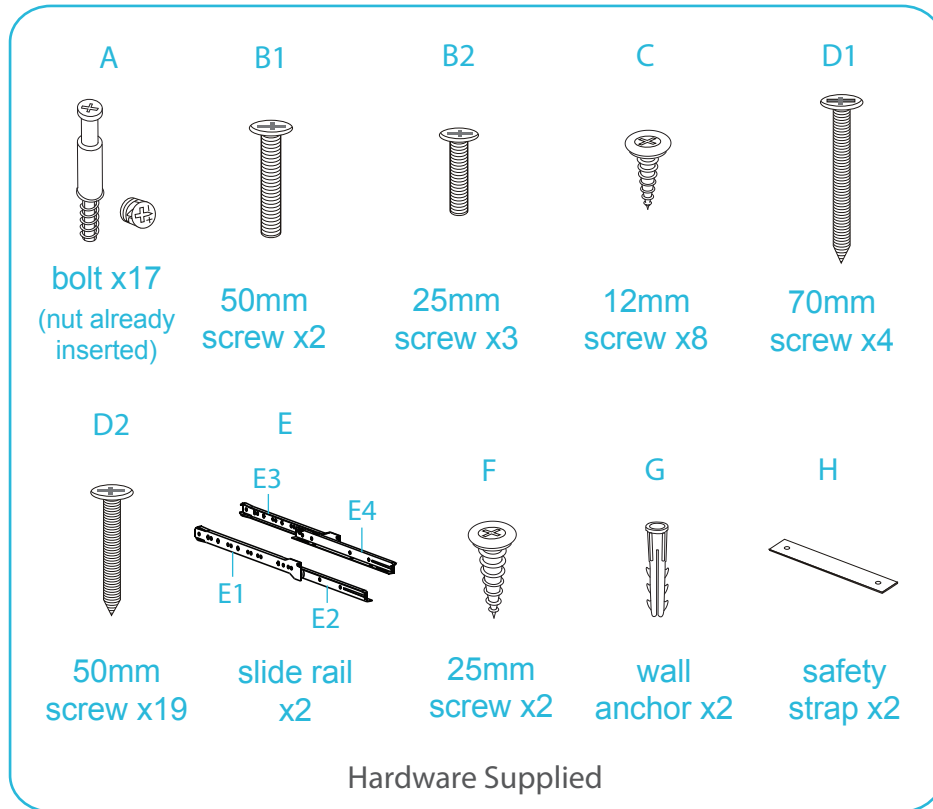


Urban Desk

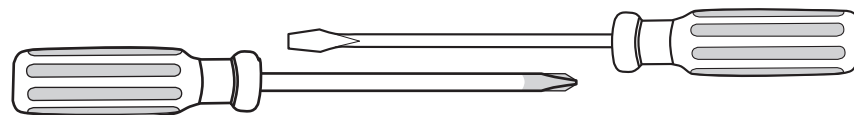
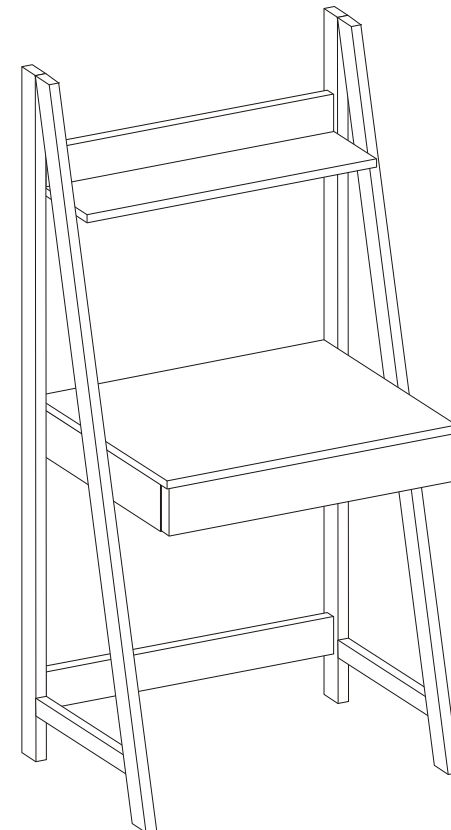
Assembly Instructions

Thank you for your purchase.
Please follow the instructions below for correct assembly.

mocka



WARNING: Any furniture that is not anchored to a wall has the potential to tip over in certain circumstances, i.e. if a child attempts to climb up on the furniture or in the event of an earthquake. Accordingly, we recommend that all furniture is anchored to a wall. We supply a free safety wall anchor with all furniture sold and we recommend these are used to prevent your product tipping. The fixing device provided should fit most wall types, but please note that different wall materials may require different fixing devices from those supplied.



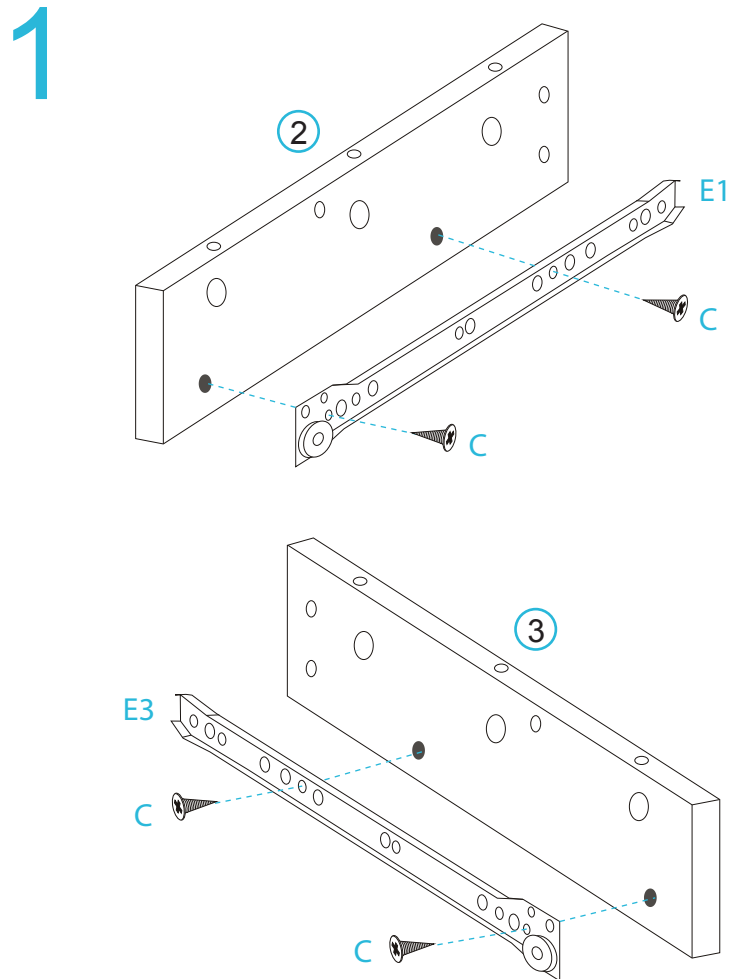
Phillips & Flathead screwdrivers required

*We recommend using a Flathead screwdriver to tighten all locking nuts 100% before first use.
Please clear any loose wood from the locking nut holes before inserting the nut to ensure it locks 100%.

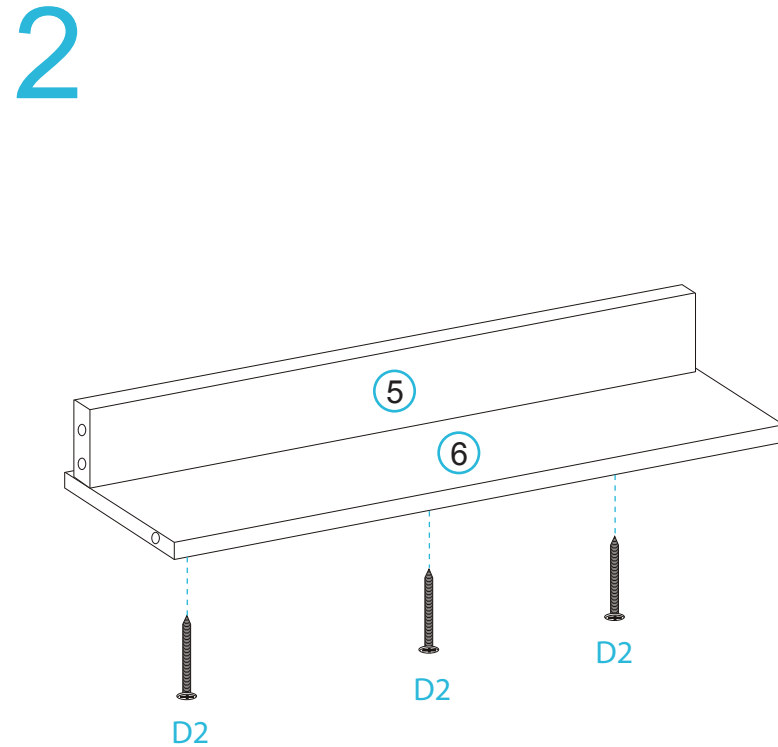
Urban Desk

Assembly Instructions

mocka



Attach 1x slide rail (E1) to panel [2] using 2x 12mm screws (C). Attach 1x slide rail (E3) to panel [3] using 2x 12mm screws (C). Tighten with a screwdriver.



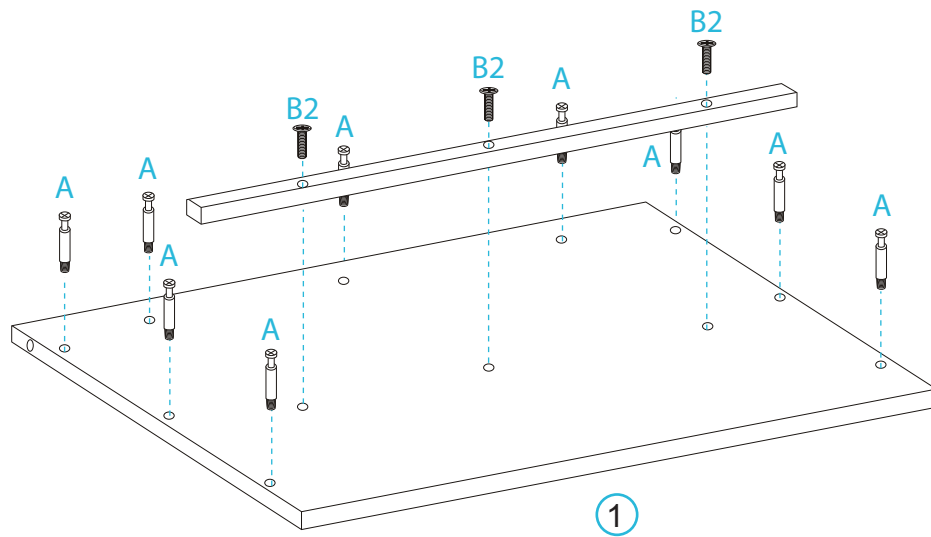
Attach panels [5] and [6] together with 3x 50mm screws (D2). Tighten with a screwdriver.

Urban Desk

Assembly Instructions

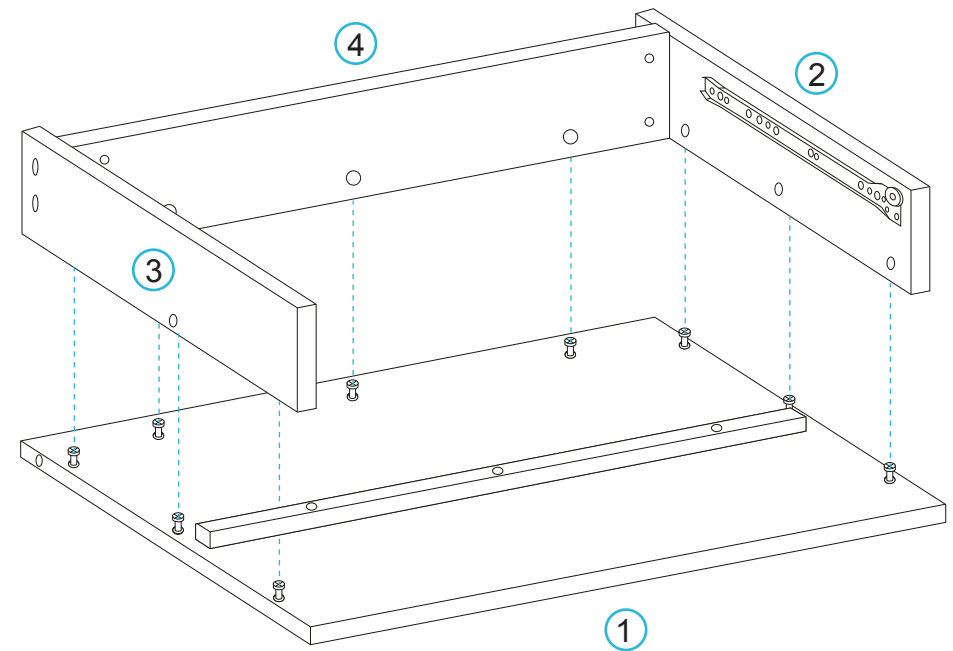
mocka

3



Insert 9x bolts (A) into panel [1]. Attach the metal bar to panel [1] using 3x 25mm screws (B2). Tighten with a screwdriver.

4



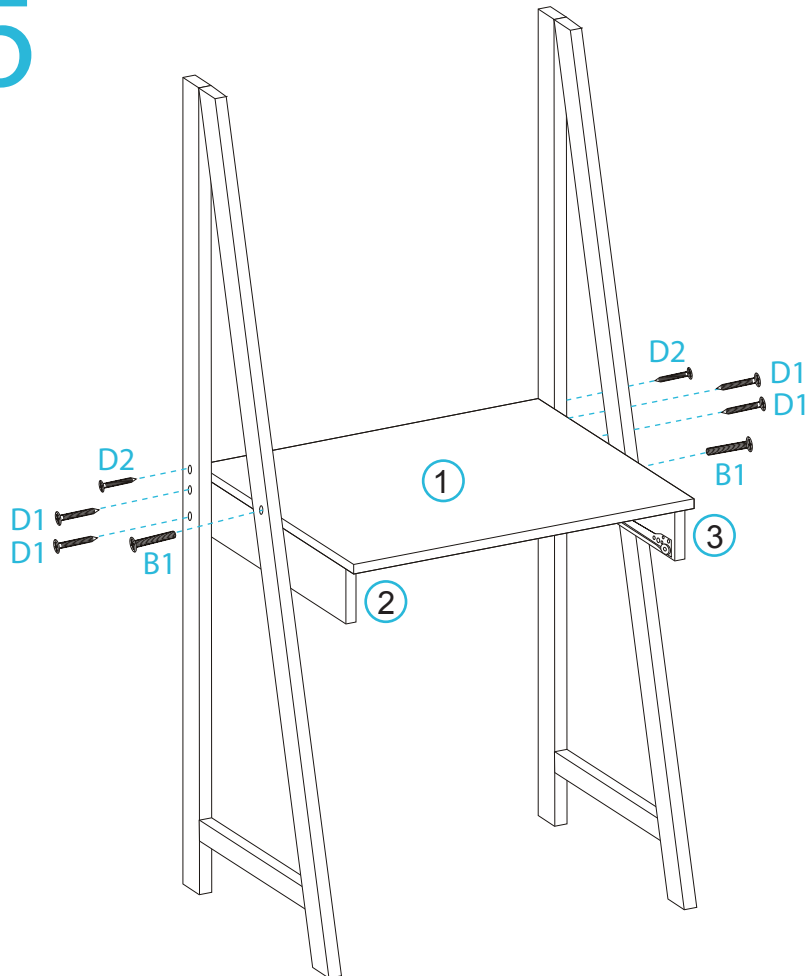
Attach panels [2], [3] and [4] to panel [1] and secure using the pre-inserted locking nuts. Tighten with a screwdriver.

Urban Desk

Assembly Instructions

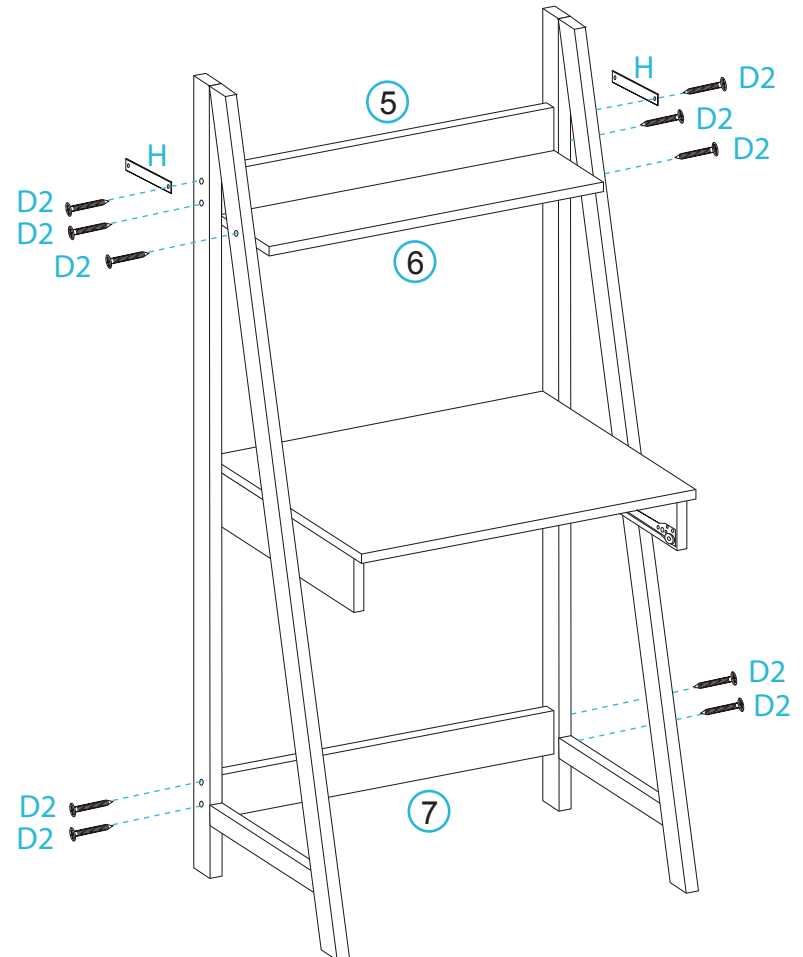
mocka

5



Secure panels [1], [2], [3] and [4] to the desk legs using 4x 70mm screws (D1), 2x 50mm screws (D2) and 2x 50mm screws (B1) as shown. Tighten with a screwdriver.

6



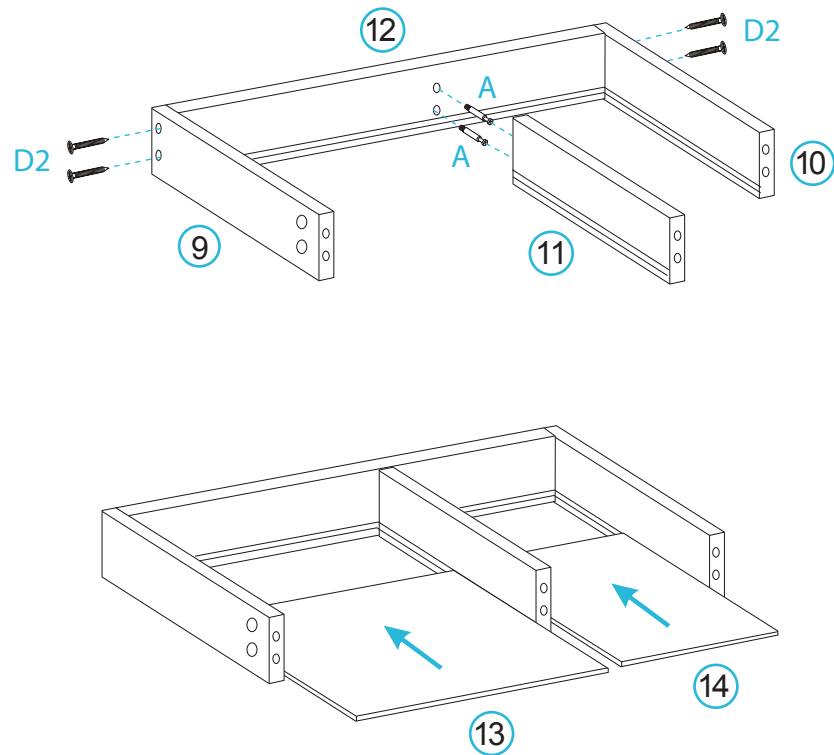
Attach panels [5] and [6] to the desk legs using 6x 50mm screws (D2), while also securing 2x safety straps (H) as shown. Attach panel [7] using 4x 50mm screws (D2). Tighten with a screwdriver.

Urban Desk

Assembly Instructions

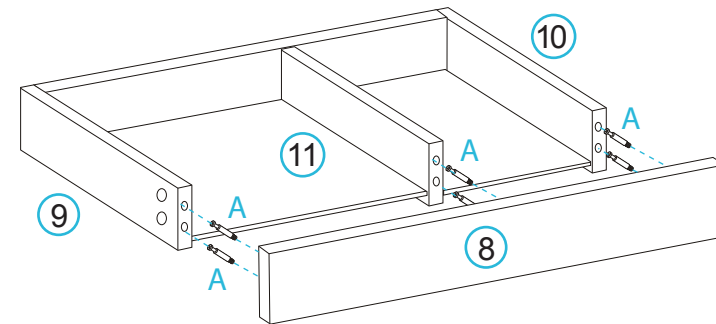
mocka

7 Drawer



Attach panels [9], [10] and [12] together using 4x 50mm screws (D2). Attach panel [11] to panel [12] using 2x bolts (A). Tighten with a screwdriver. Slide panels [13] and [14] along the grooves as shown to form the base of the drawer.

8



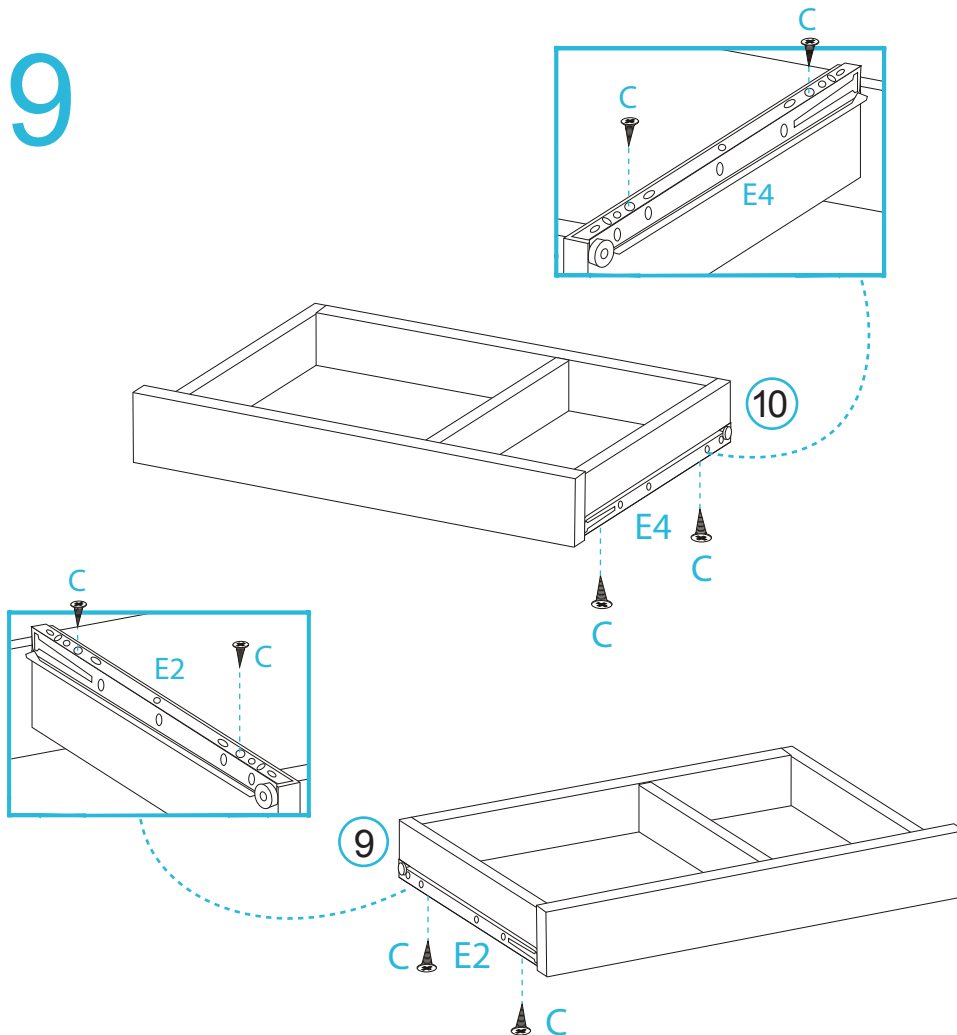
Attach panel [8] to panels [9], [10] and [11] using 6x bolts (A). Tighten with a screwdriver.

Urban Desk

Assembly Instructions

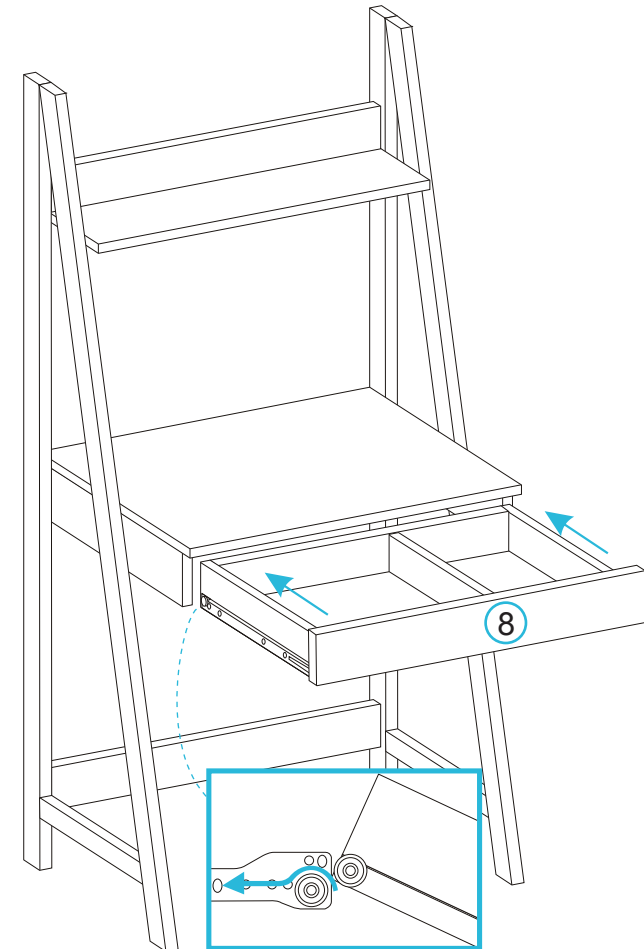
mocka

9



Attach the slide rail (E4) to panel [10] and secure with 2x 12mm screws (C). Attach the slide rail (E2) to panel [9] and secure with 2x 12mm screws (C). Tighten with a screwdriver.

10



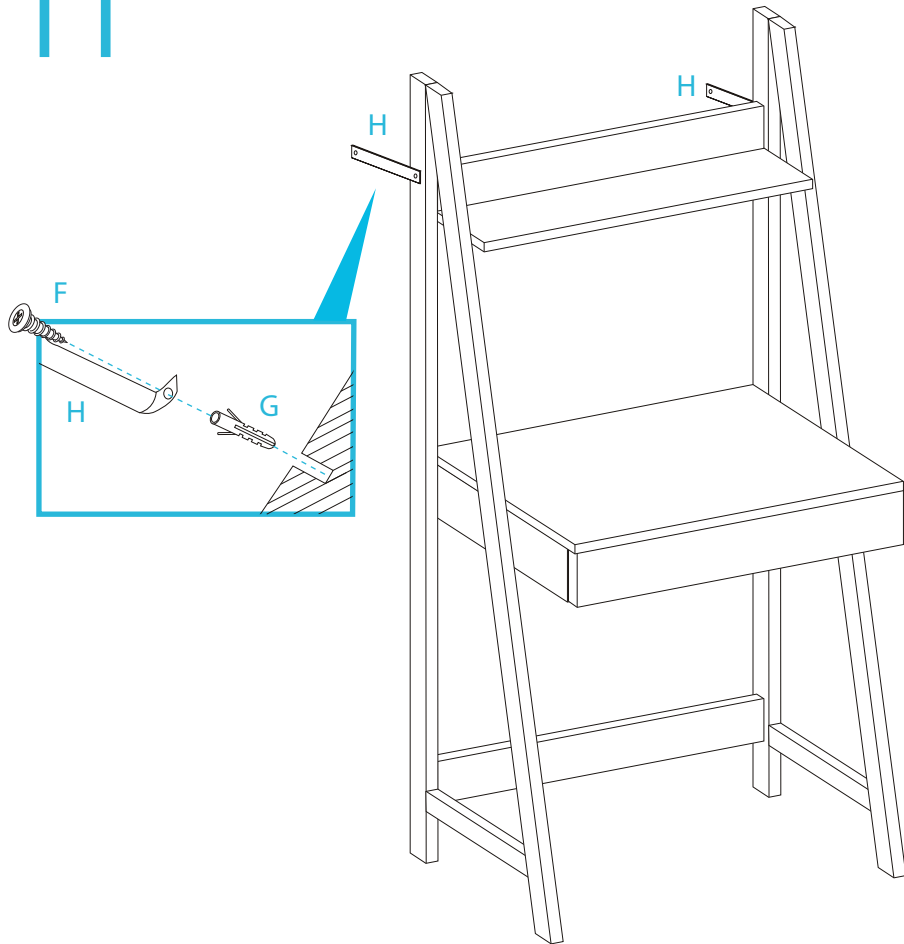
Insert the assembled drawer, ensuring it slides smoothly and easily along the rails.

Urban Desk

Assembly Instructions

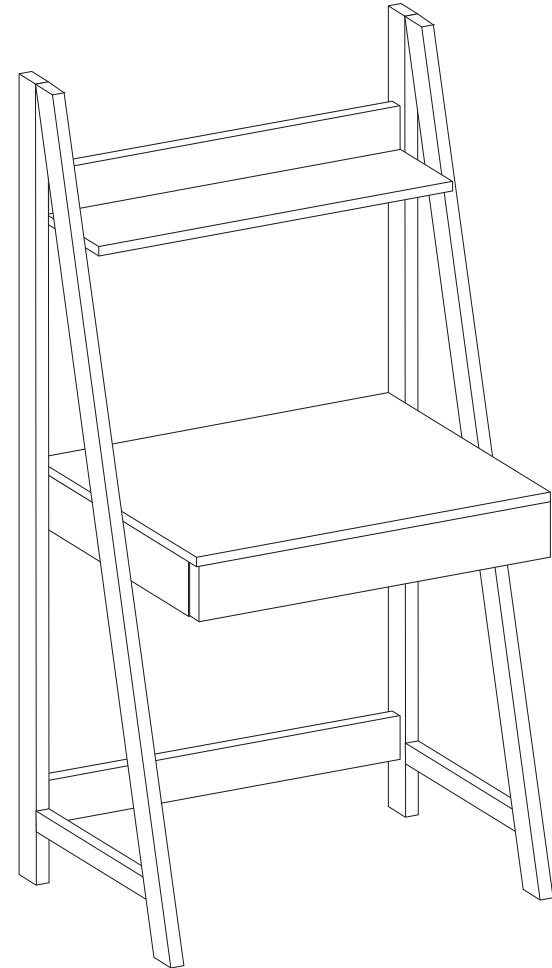
mocka

11



Lift the completed unit into place, do not drag. Screw the other end of the straps (H) to the wall using 2x wall anchors (G) and 2x 25mm screws (F). Tighten with a screwdriver.

12



You're done, enjoy!