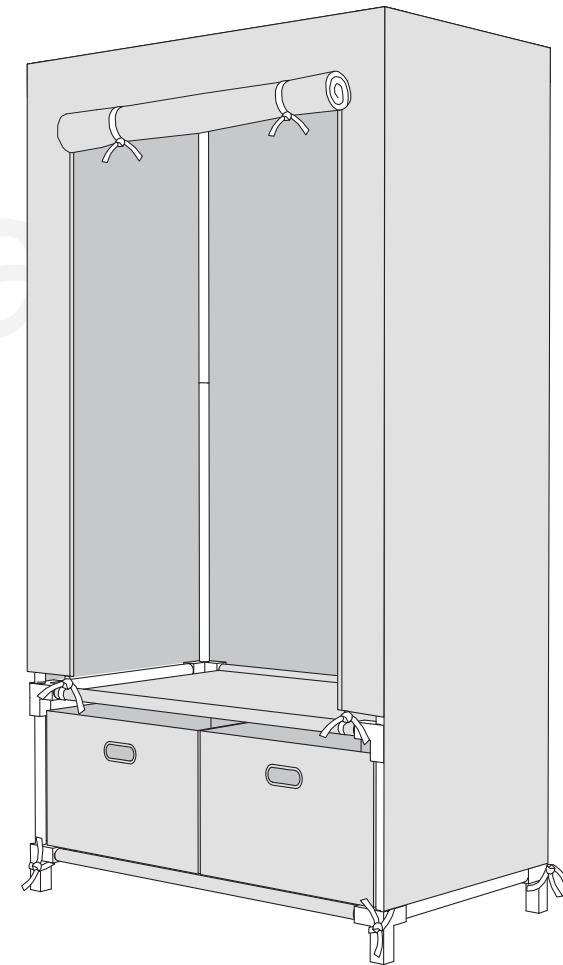
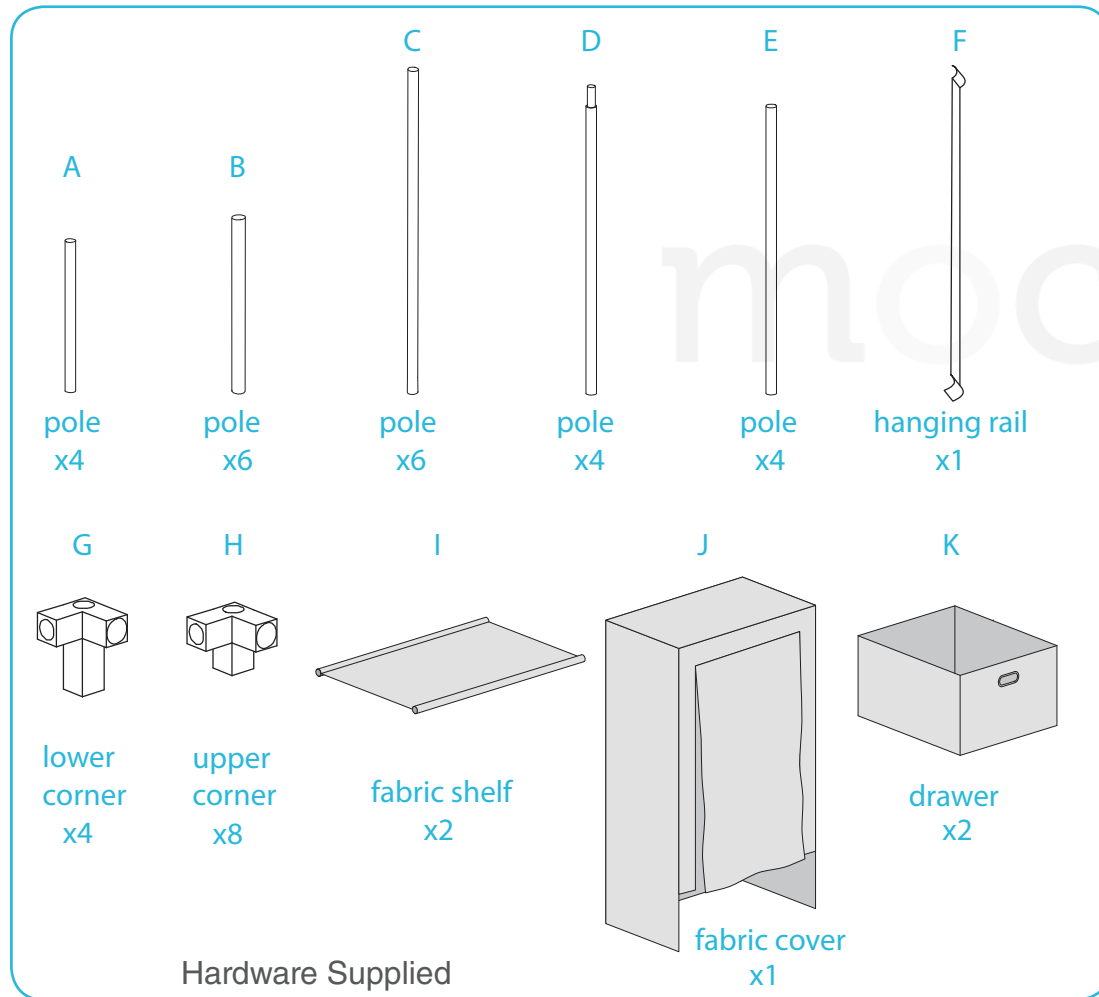


# Fabric Wardrobe

## ASSEMBLY INSTRUCTIONS

# mocka

Thank you for purchasing a Mocka Fabric Wardrobe.  
Please follow the instructions below for correct assembly

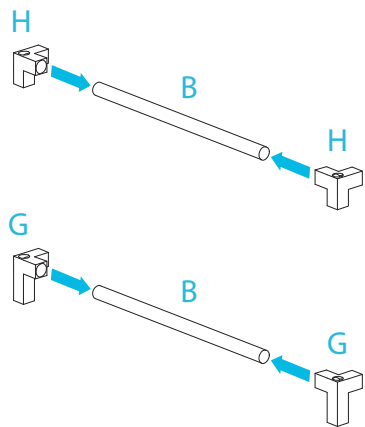


# Fabric Wardrobe

## ASSEMBLY INSTRUCTIONS

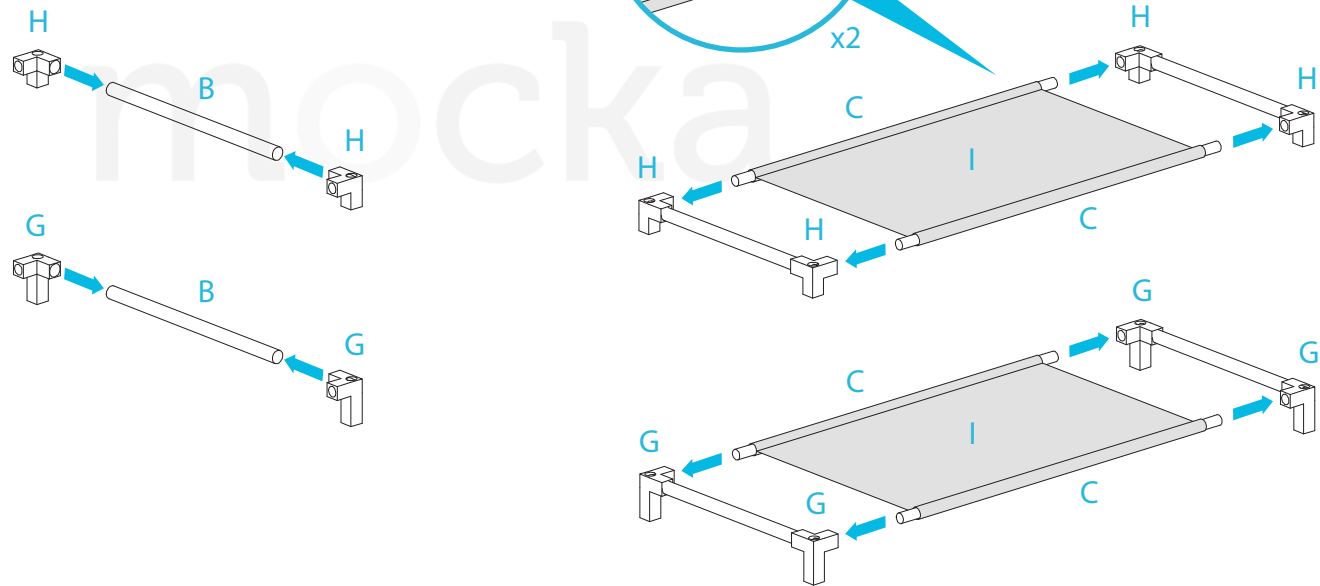
mocka

**1** Begin by assembling the shelves and frame for the wardrobe



Slot together 2x poles (B) with corner connectors (H) and 2x poles (B) with corner connectors (G).

**2**



Insert 2x poles (C) into sleeves on both sides of the two fabric shelves (I). Connect the shelf poles (C) with the assembled corner connectors (H) and (G) as shown.

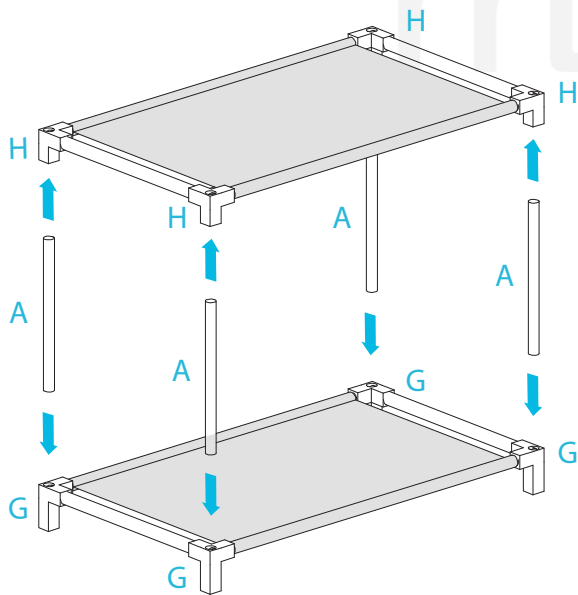
2

# Fabric Wardrobe

## ASSEMBLY INSTRUCTIONS

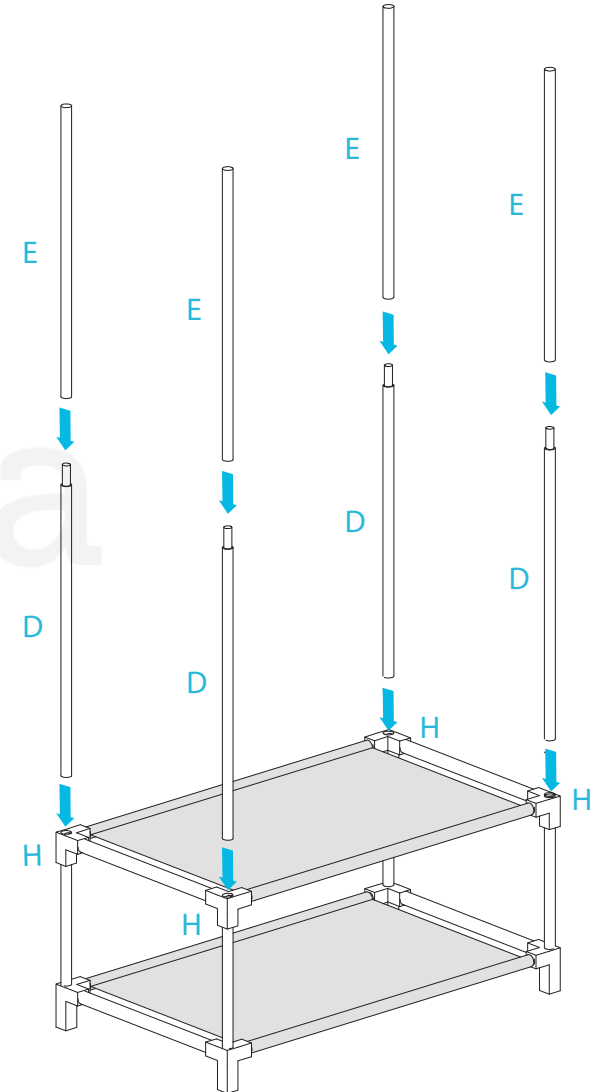
mocka

3



Attach the two pieces assembled in the previous step together using 4x poles (A), slotted into the corner connectors as shown above.

4



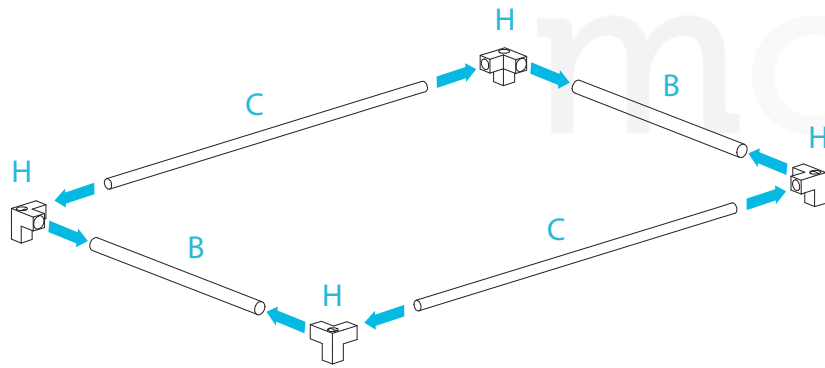
Join together 4x of each of the pole sections (D) and (E) and insert poles into the top of each corner connector (H).

# Fabric Wardrobe

## ASSEMBLY INSTRUCTIONS

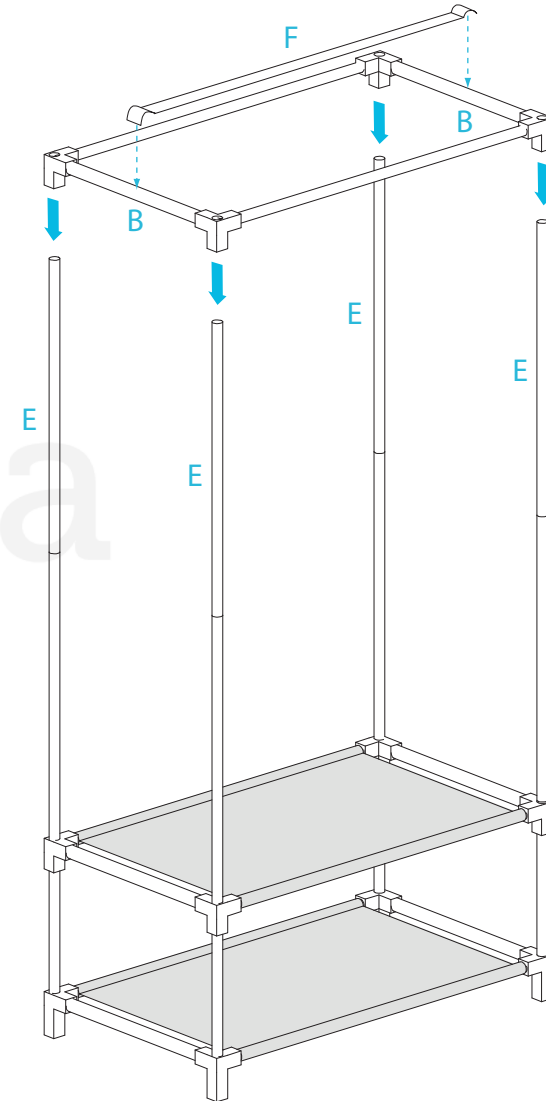
mocka

5



Just like in step 1 and 2, attach 2x poles (C) and 2x poles (B) together with corner connectors (H) as shown above.

6



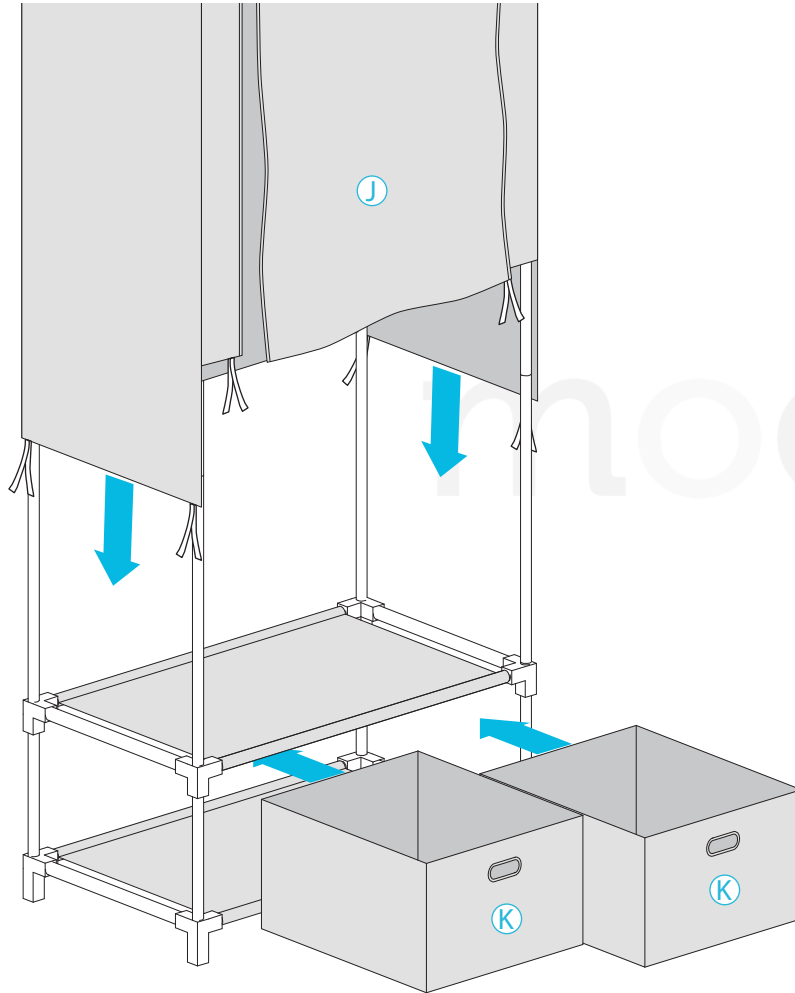
Fit the assembled piece from the previous step into place on the top of the poles (E). Attach the hanging rail (F) across the middle of the top poles (B).

# Fabric Wardrobe

## ASSEMBLY INSTRUCTIONS

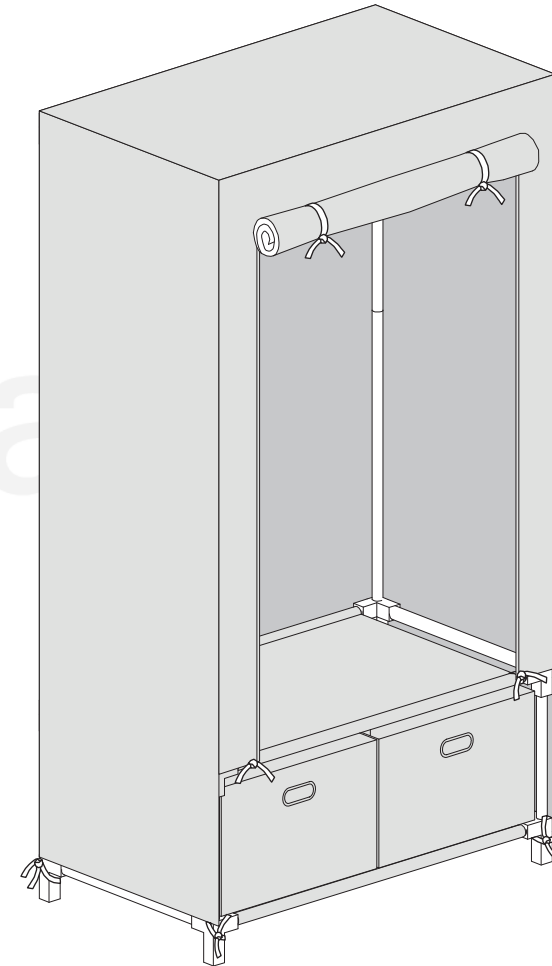
mocka

7



Slip the fabric cover (J) over the top of the wardrobe frame and pull down into position. Slide the two drawers (K) onto the lower shelf as shown.

8



Finally attach the fabric cover by neatly tying all the string ties to the frame. All done! Enjoy!