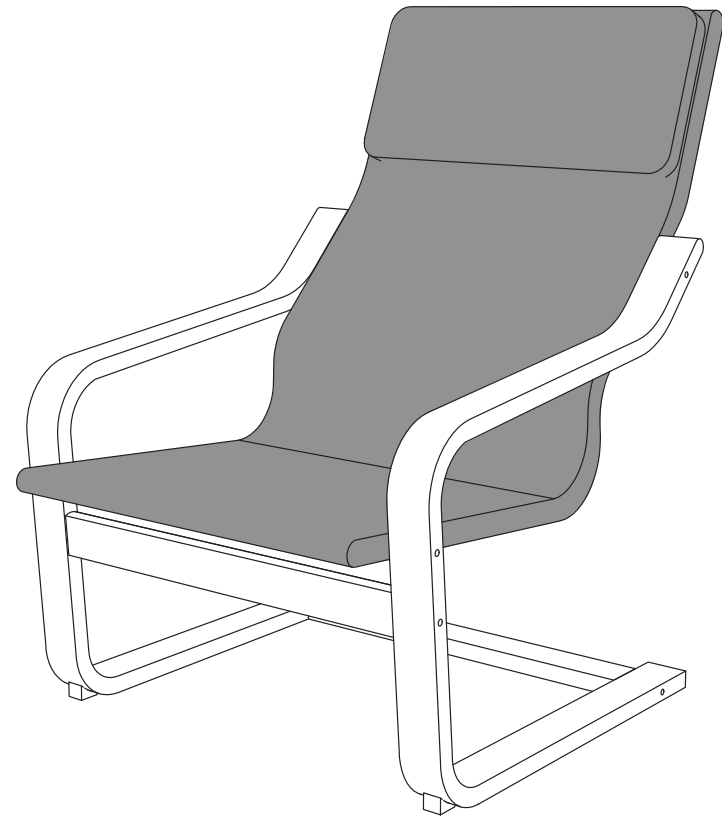
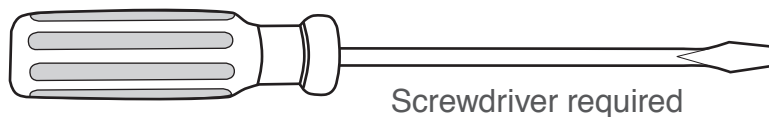
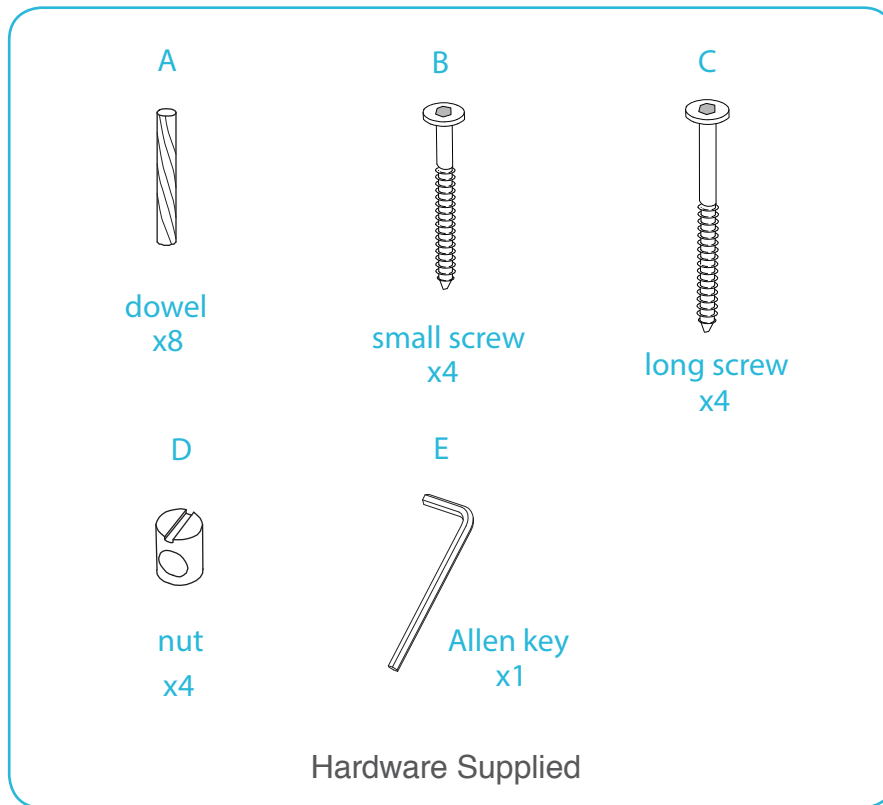


Asta Armchair

Assembly Instructions

Thank you for your purchase.
Please follow the instructions below for correct assembly.

mocka

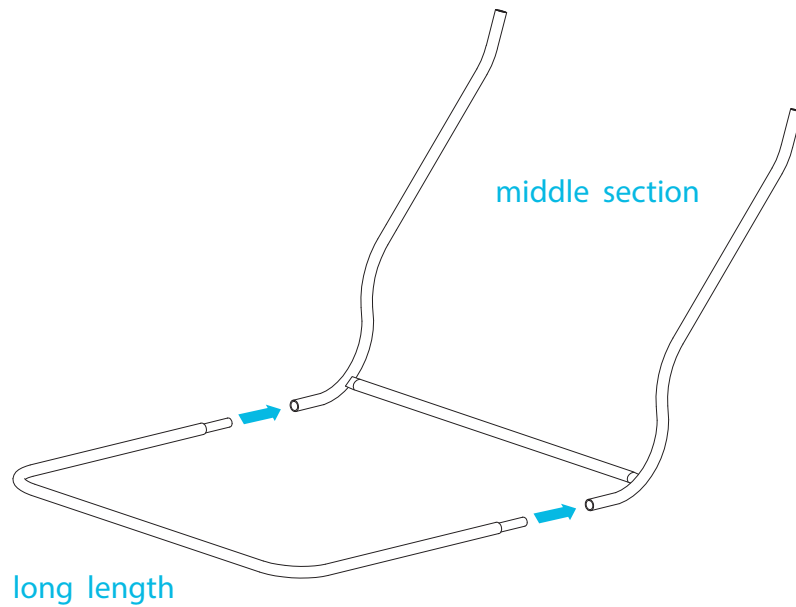


Asta Armchair

Assembly Instructions

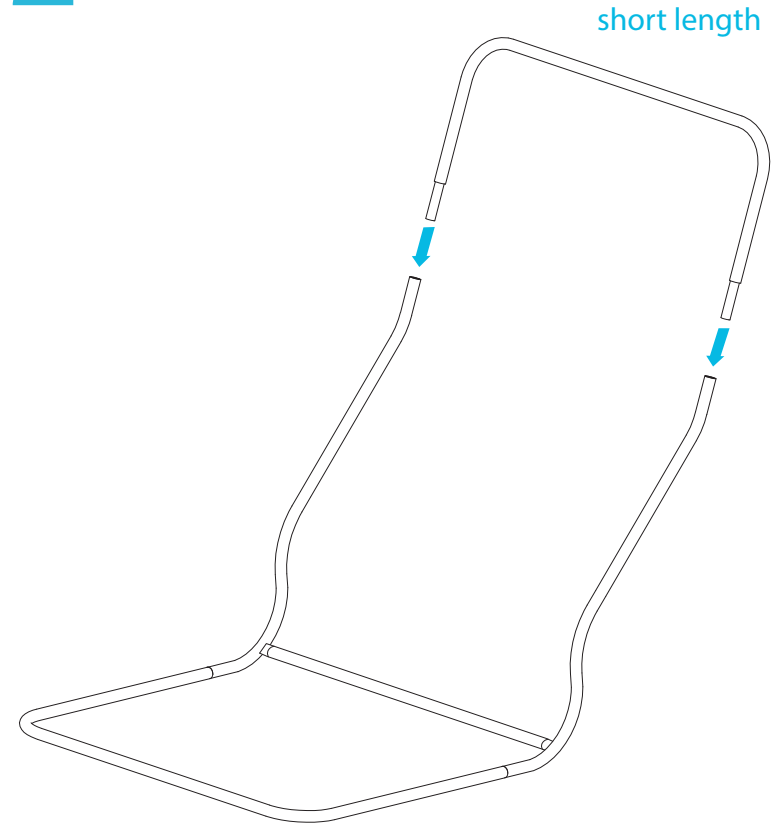
mocka

1



Begin by assembling the metal frame for the seat. Find the middle and longer end sections of the metal frame. Slot the end pieces into pipes of the middle section as shown.

2



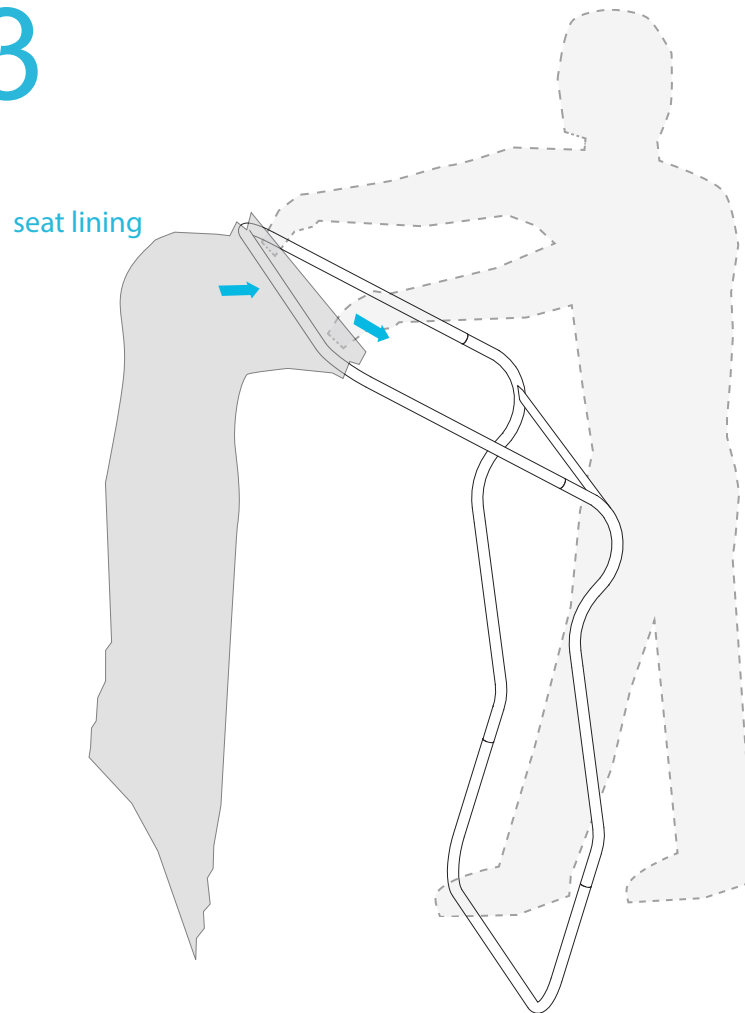
Find the short length end piece and slot it into the top of the middle section as shown to complete the metal seat frame.

Asta Armchair

Assembly Instructions

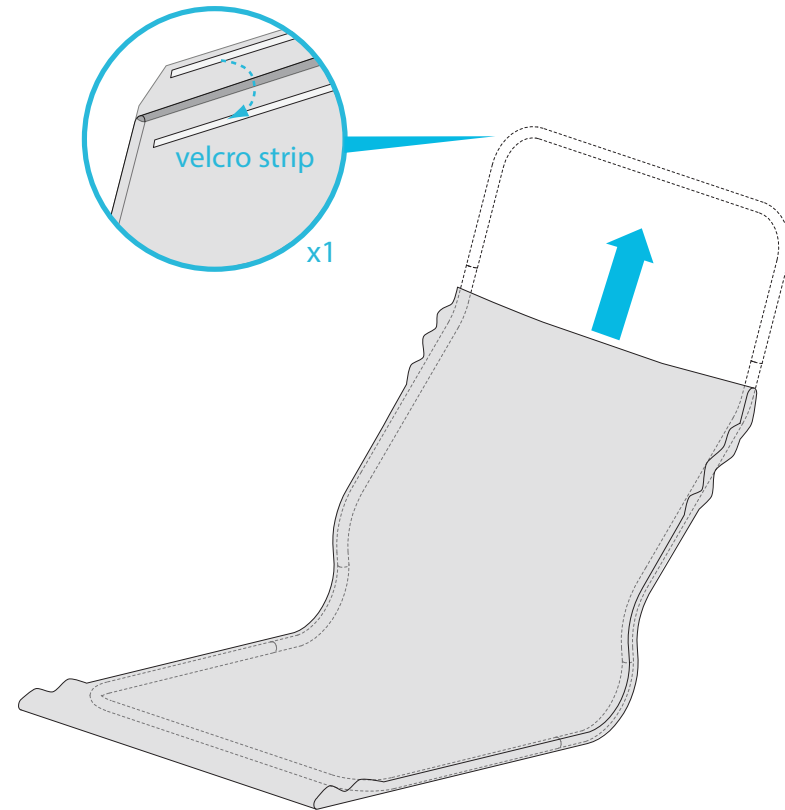
mocka

3



Flip frame up as shown and carefully begin sliding on the under seat lining. Pull the lining sleeve over the entire frame.

4



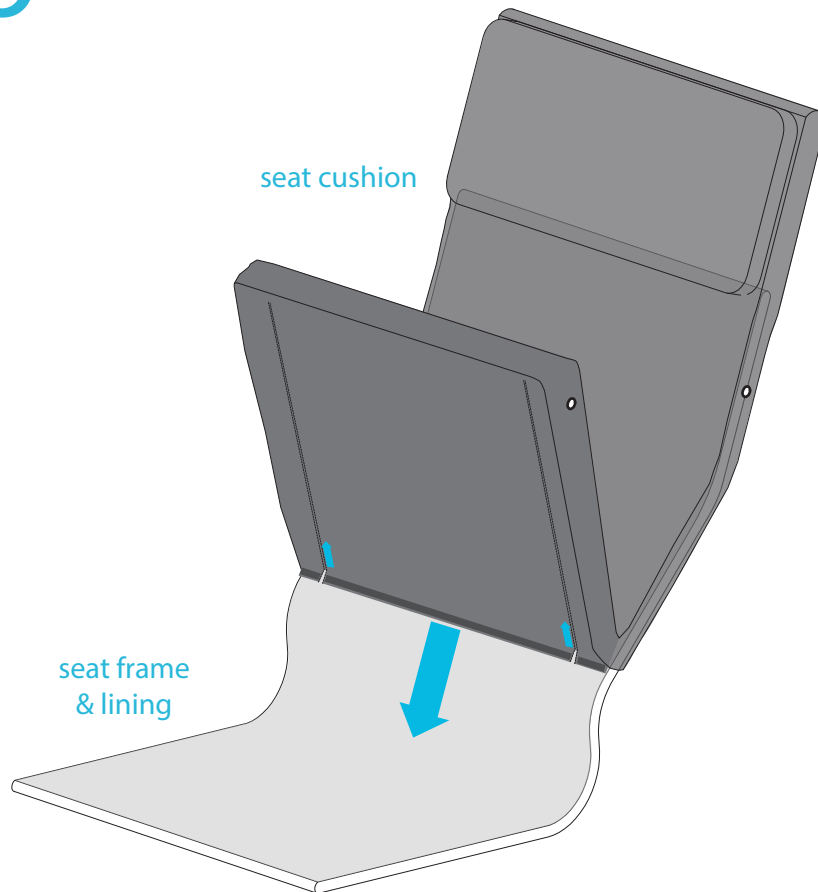
Pull the lining over the whole frame and fasten closed over the top using the velcro strips.

Asta Armchair

Assembly Instructions

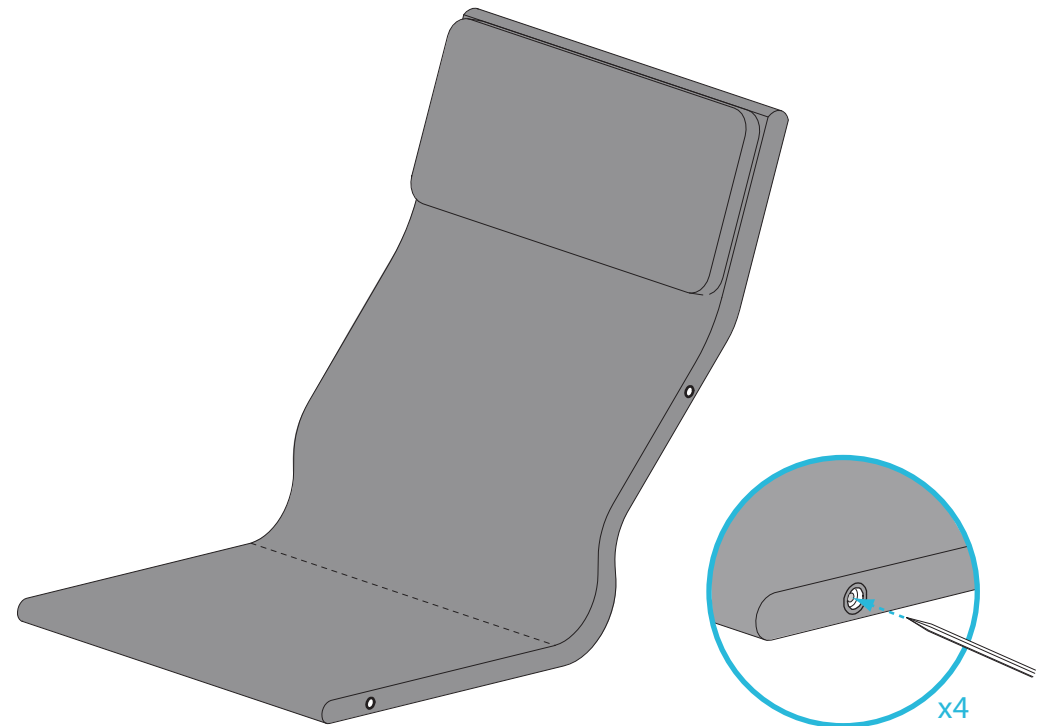
mocka

5



Find the padded seat cushion. Unzip the middle opening on the back. Slide the seat cushion over the frame and lining from the top down. Ensure the cushion padding is on the seat-side of the frame. Open vertical zips in lower section and stretch over and around the seat.

6



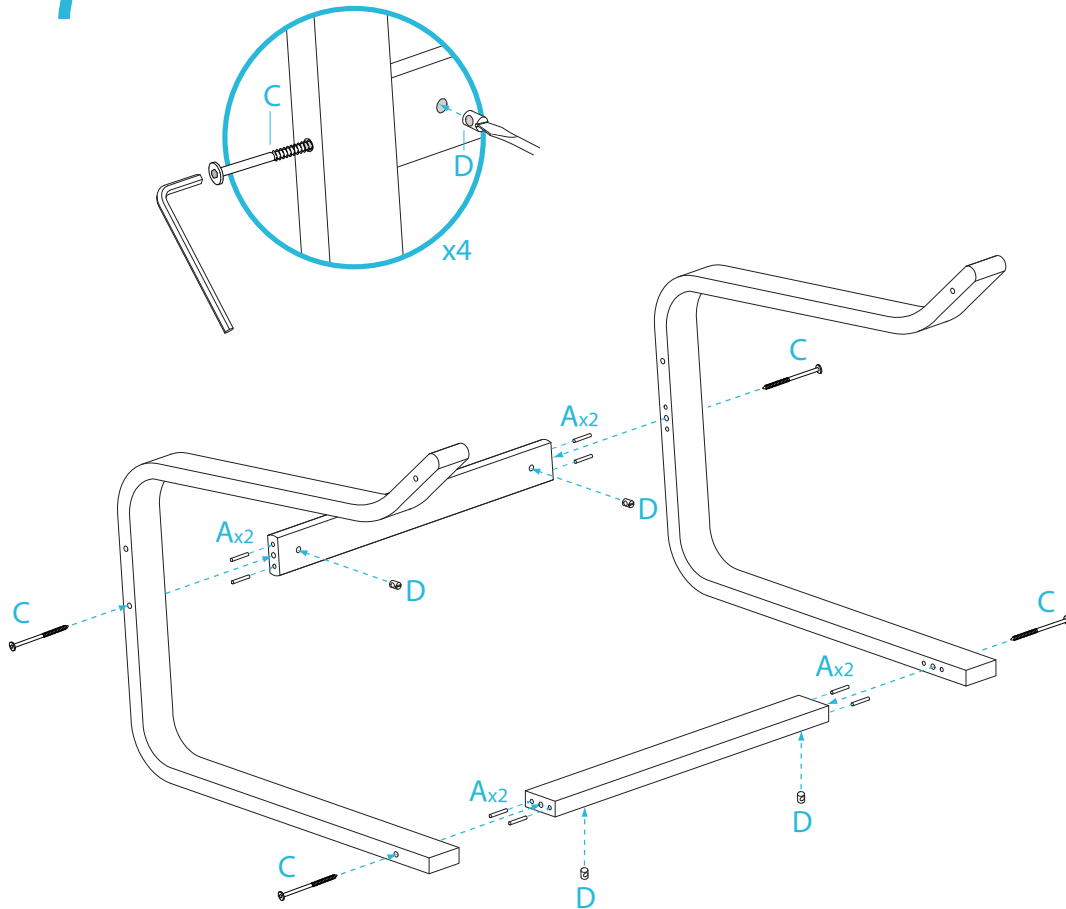
Zip seat cushion closed over the frame and attach velcro strips together. Insert a skewer, screwdriver or sharp object through the ring holes in the side of the cushion and pierce the ripstop seat lining into the holes in the frame. Ensure the holes line up correctly.

Asta Armchair

Assembly Instructions

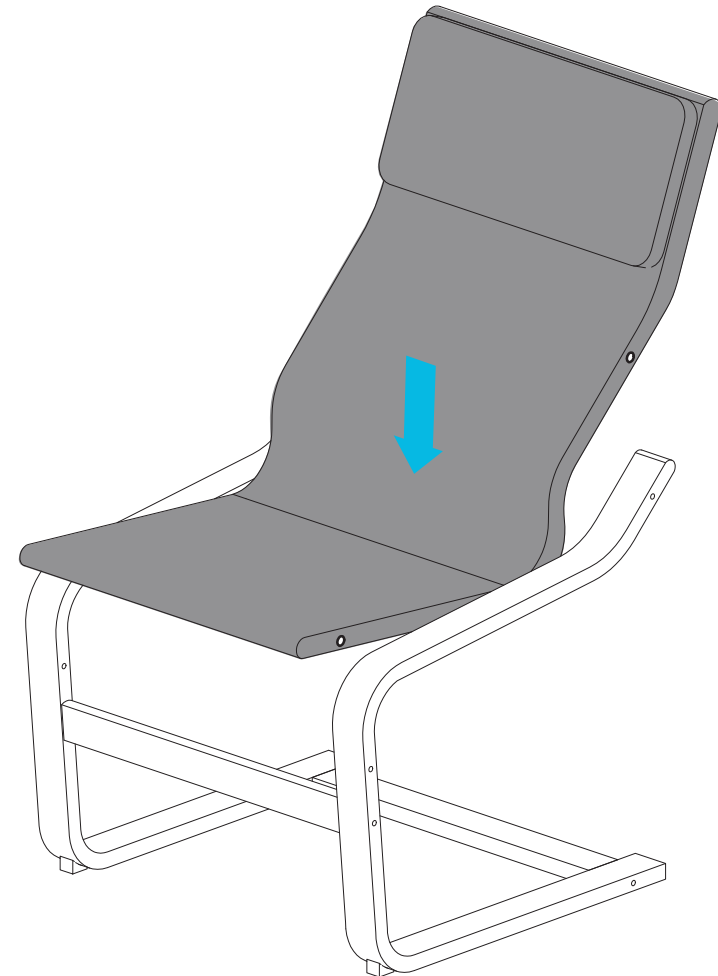
mocka

7



To make up the wooden legs for the Asta chair insert two dowels (A) into each end of both support braces. Slot into both chair legs as shown. Secure using long screws (C) and nuts (D).

8



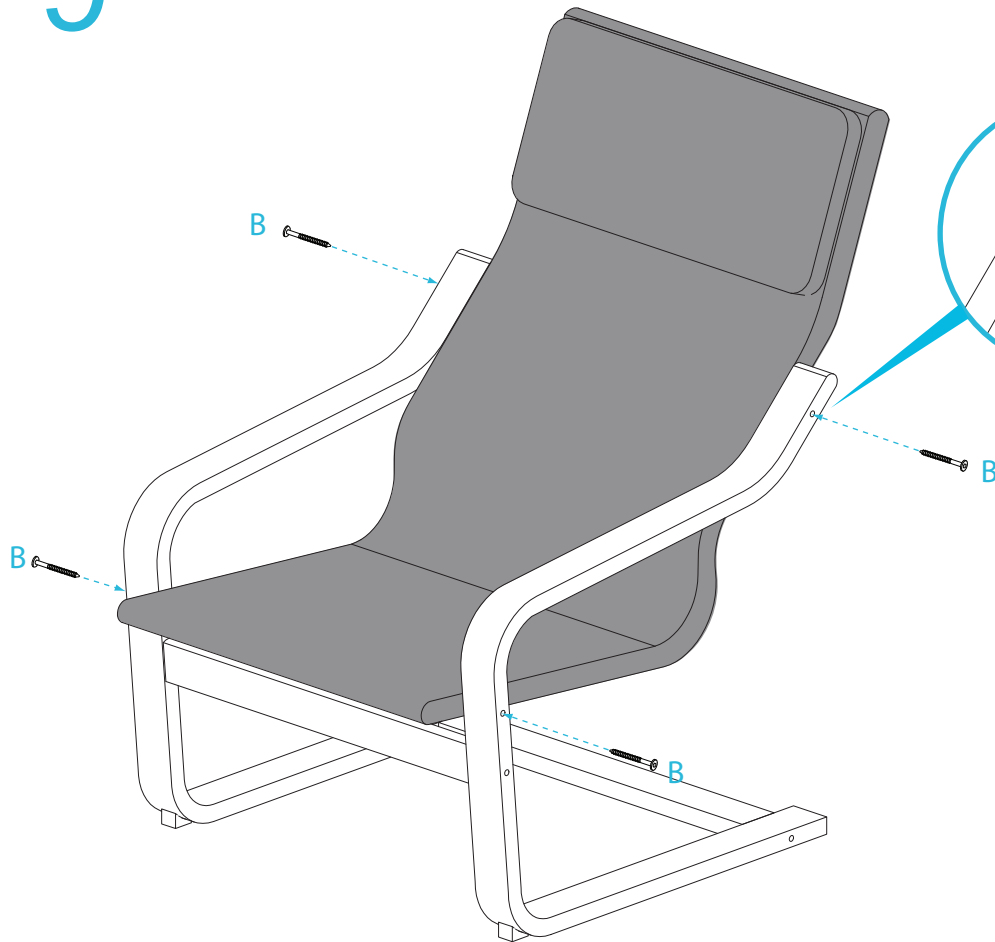
Slide seat between the chair legs and armrests. Ensure holes in the seat cushion line up with corresponding holes in the wooden chair legs.

Asta Armchair

Assembly Instructions

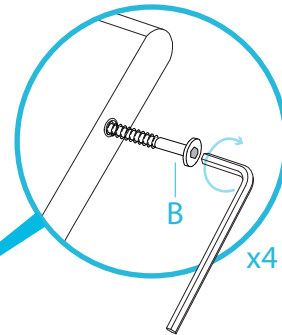
mocka

9



Attach seat cushion and frame to the chair legs using short screws (B). Make sure each screw passes through the holes in the cushion and lining and into the metal frame.

10



Finally ensure all screws are securely tightened before use. All done! Enjoy!