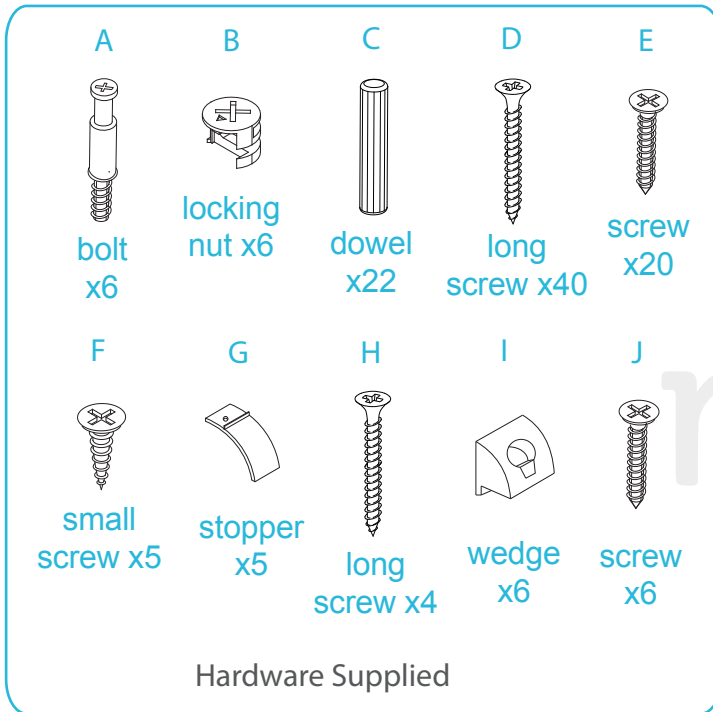


Vibe Tall Drawers

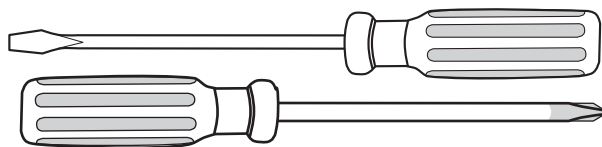
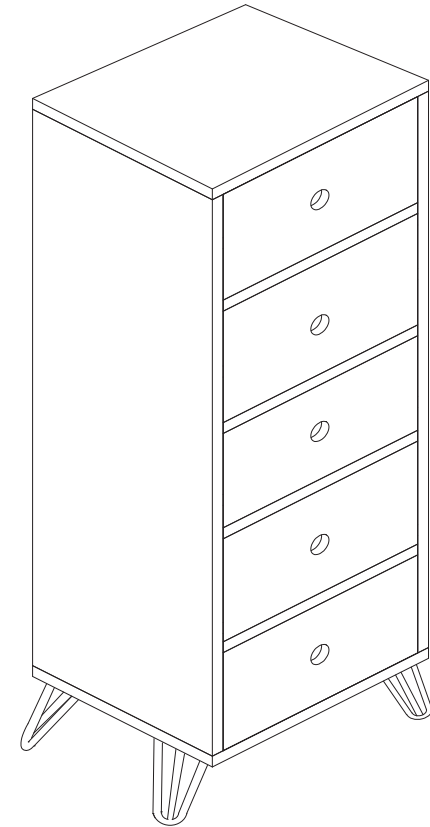
ASSEMBLY INSTRUCTIONS

mocka

Thank you for your purchase.
Please follow the instructions below for correct assembly.



WARNING: Any furniture that is not anchored to a wall has the potential to tip over in certain circumstances, i.e. if a child attempts to climb up on the furniture or in the event of an earthquake. Accordingly, we recommend that all furniture is anchored to a wall. We supply a free safety wall anchor with all furniture sold and we recommend these are used to prevent your product tipping. The fixing device provided should fit most wall types, but please note that different wall materials may require different fixing devices from those supplied.



Phillips & Flathead screwdrivers required

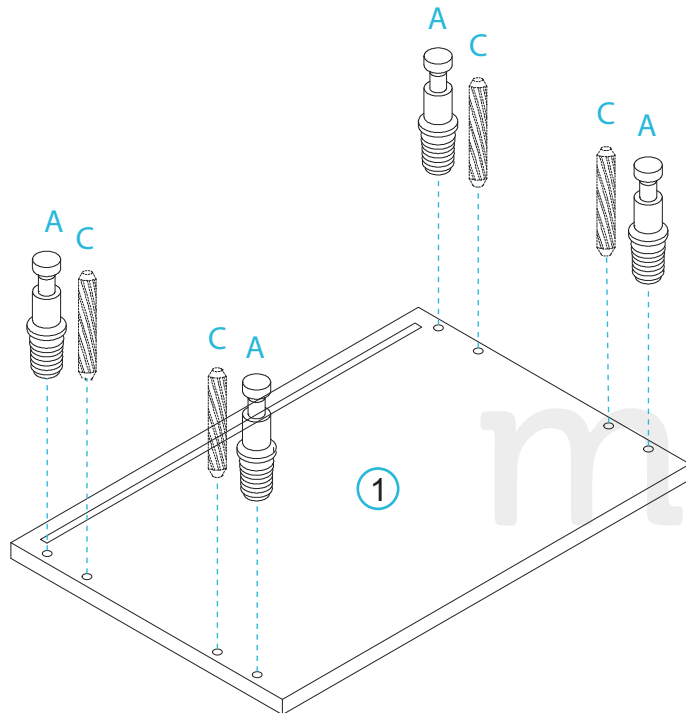
*We recommend using a Flathead screwdriver to tighten all locking nuts 100% before first use. Please clear any loose wood from the locking nut holes before inserting the nut to ensure it locks 100%.

Vibe Tall Drawers

ASSEMBLY INSTRUCTIONS

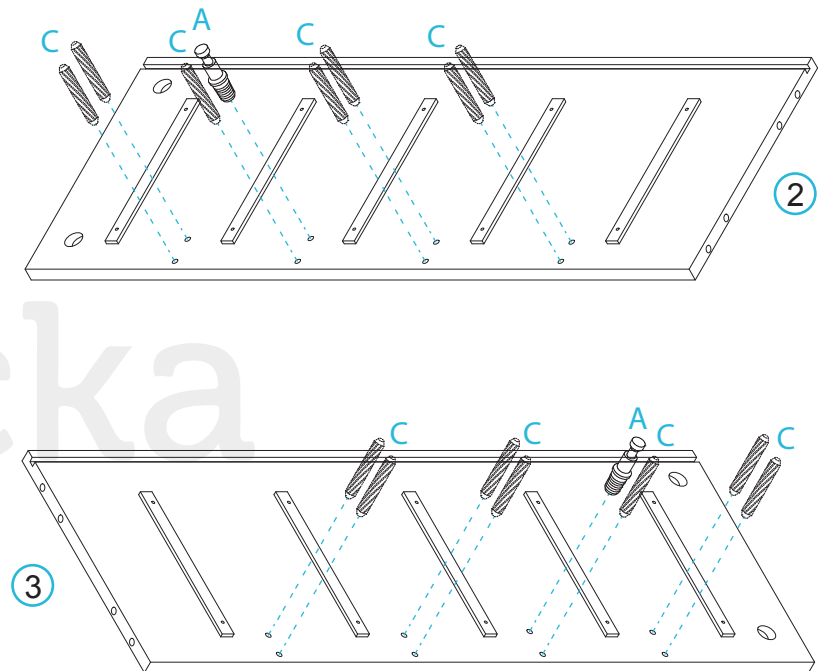
mocka

1



Insert 4x bolts (A) and 4x dowels (C) into panel [1].

2



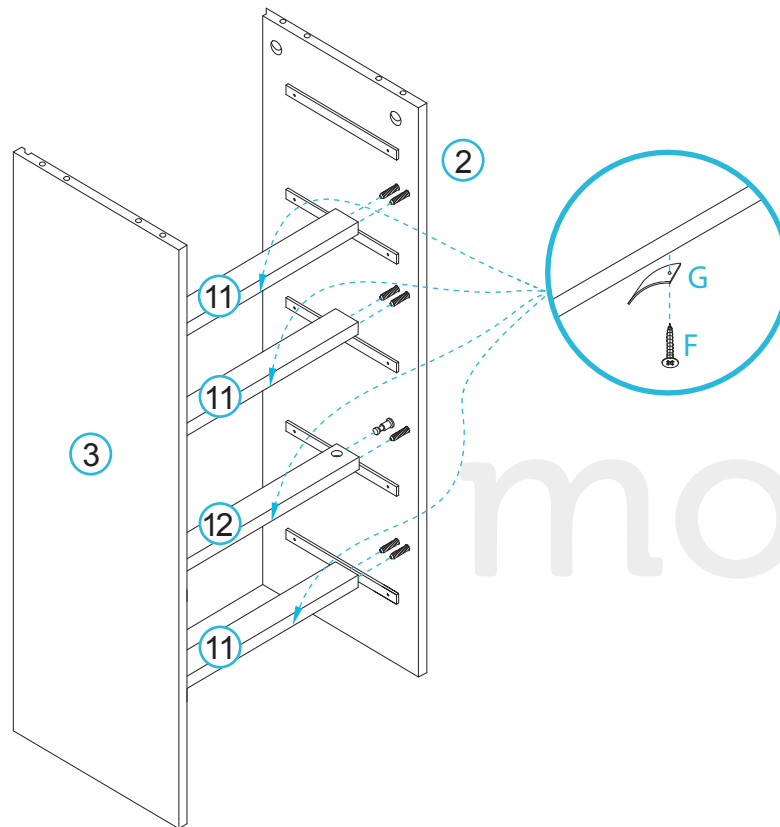
On panels [2] and [3] insert 2x bolts (A) and 14x dowels (C) as shown.

Vibe Tall Drawers

ASSEMBLY INSTRUCTIONS

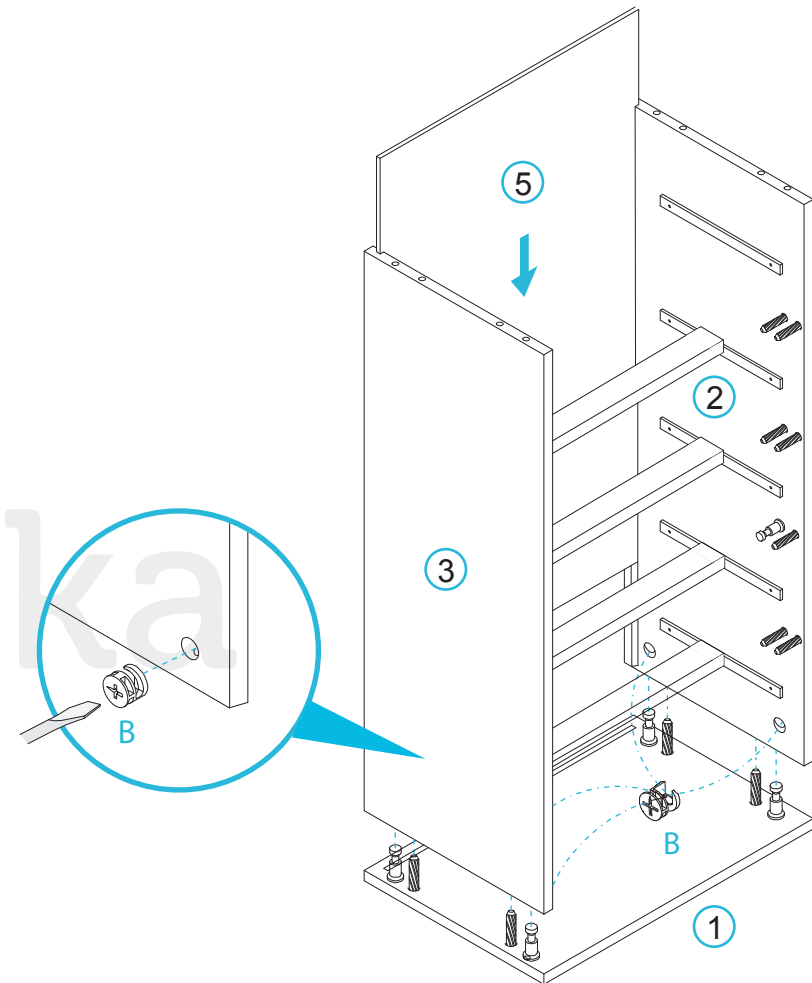
mocka

3



Attach 1x stopper (G) onto each of the 3x panels [11] and panel [12] with 5x small screws (F). Tighten with a screwdriver. Attach 3x panels [11] and [12] to panel [2]. Now attach panel [3].

4



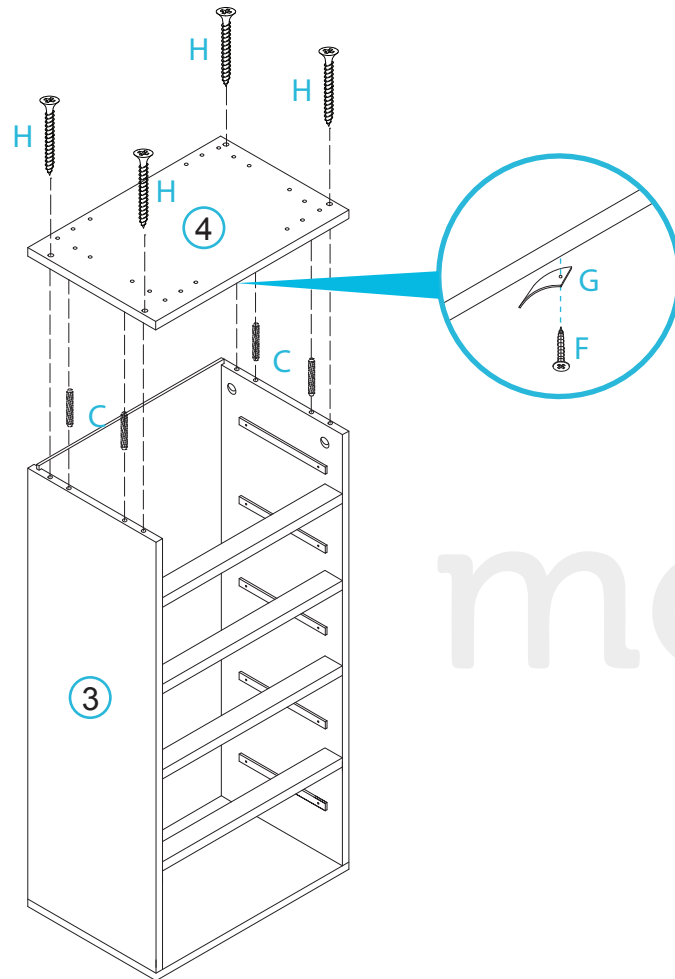
Attach panel [1] to the rest of the unit and secure with 4x locking nuts (B). Tighten with a screwdriver. Slide back panel [5] down the sides of panels [2] and [3] in between the grooves.

Vibe Tall Drawers

ASSEMBLY INSTRUCTIONS

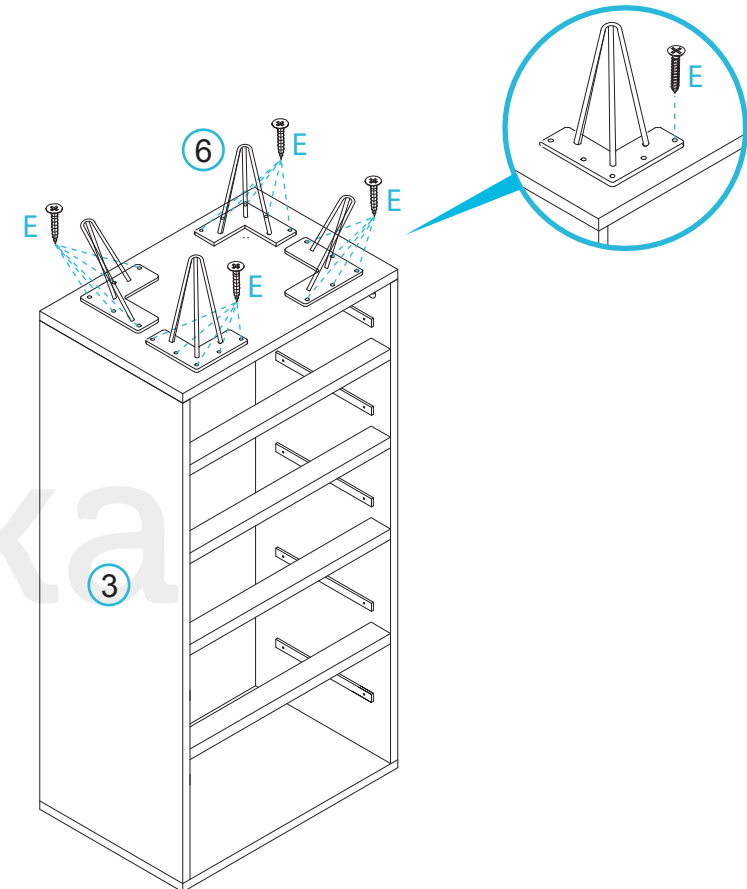
mocka

5



Attach 1x stopper (G) to the underside of panel [4] with 1x small screw (F). Insert 4x dowels (C) into the top of side panels [2] and [3]. Attach panel [4] to the main unit with 4x long screws (H) and tighten with a screwdriver.

6



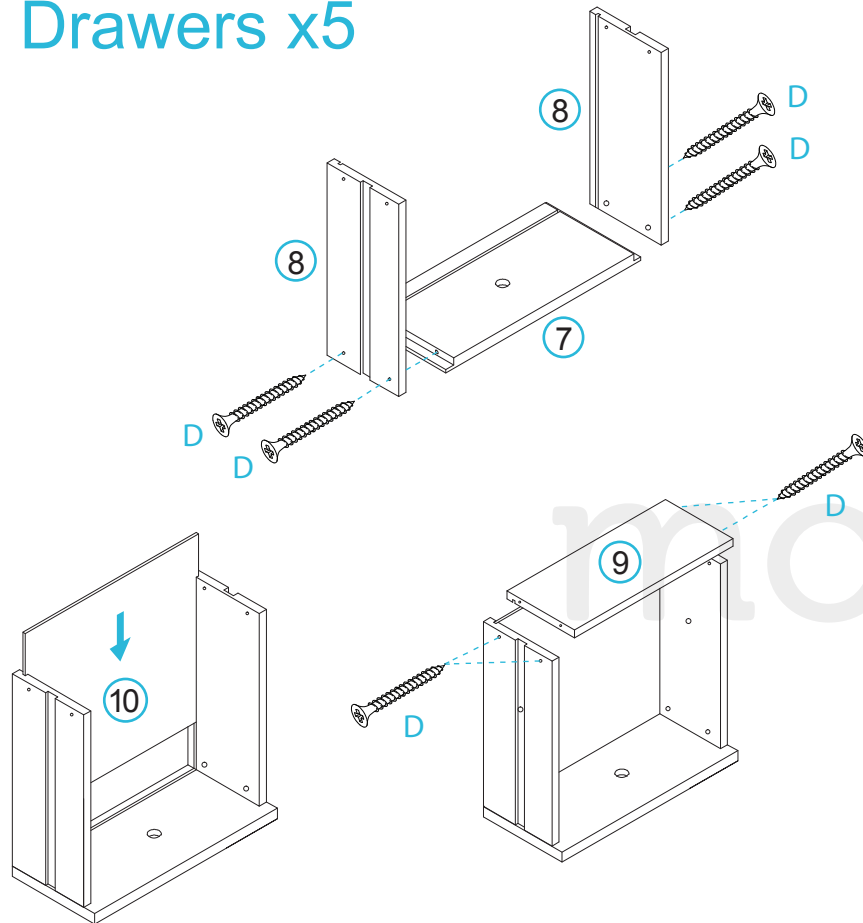
Attach each leg bracket [6] to panel [4] with 20x screws (E). Tighten with a screwdriver.

Vibe Tall Drawers

ASSEMBLY INSTRUCTIONS

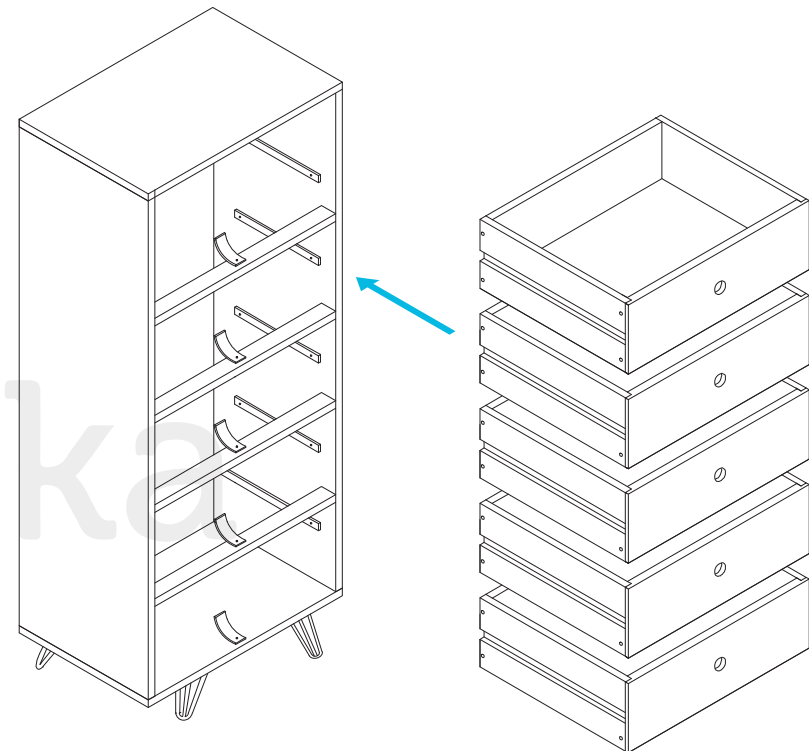
mocka

7 Drawers x5



Attach side panels [8] to the front drawer panel [7] with 4x long screws (D) and tighten with a screwdriver. Slide panel [10] in to place using the grooves between the side panels [8]. Secure panel [9] onto the side panels [8] with 4x long screws (D). Repeat for the remaining drawers.

8



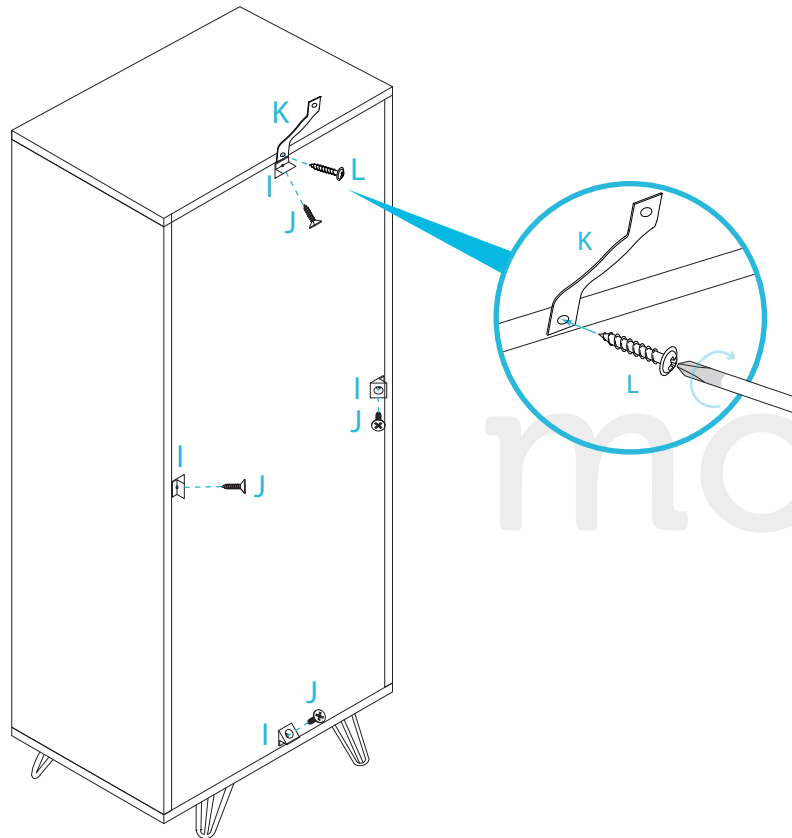
Insert each completed drawer into the main unit.

Vibe Tall Drawers

ASSEMBLY INSTRUCTIONS

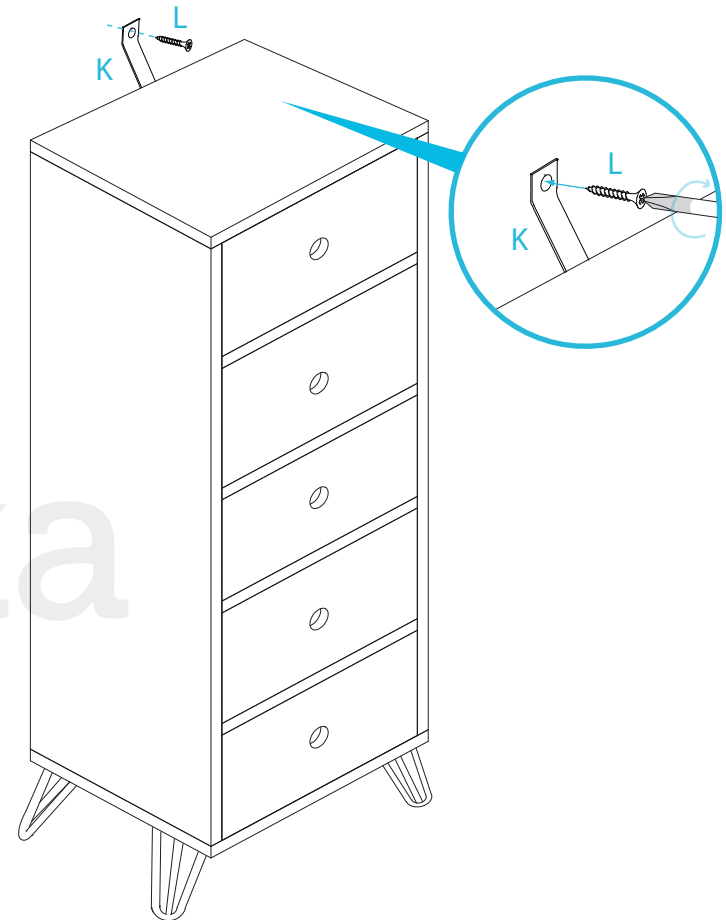
mocka

9 Wall Strap



Attach 4x wedges (I) as shown using 4 x screws (J). Attach the safety strap (K) to the top of the back side of the unit using 1x screw (L). Tighten with a screwdriver.

10



Once assembled lift furniture into place, do not drag. Attach the other end of the safety strap (K) to the wall with 1x screw (L) and tighten with a screwdriver. You're done, enjoy!