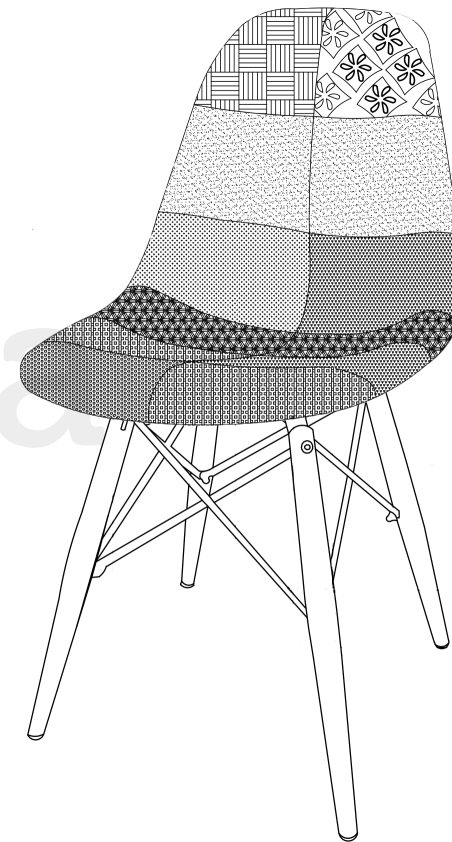


Patch Chair

ASSEMBLY INSTRUCTIONS

mocka

Thank you for your purchase.
Please follow the instructions below for correct assembly.



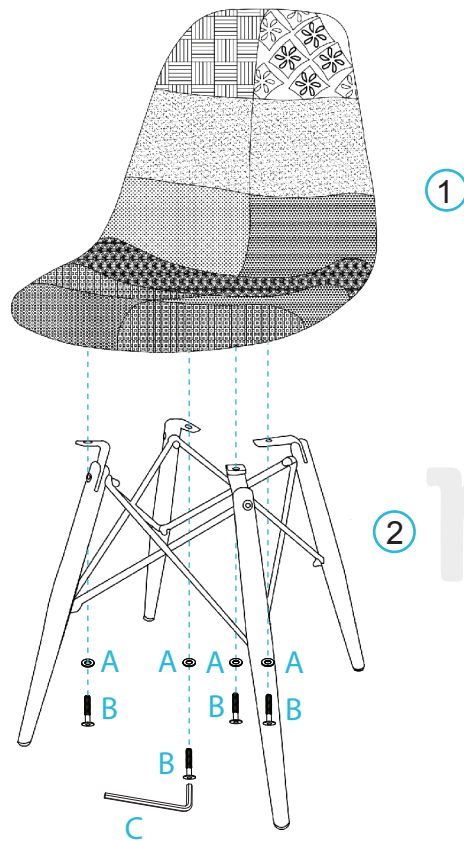
- Use a damp cloth for cleaning
- Weight limit 100kg

Patch Chair

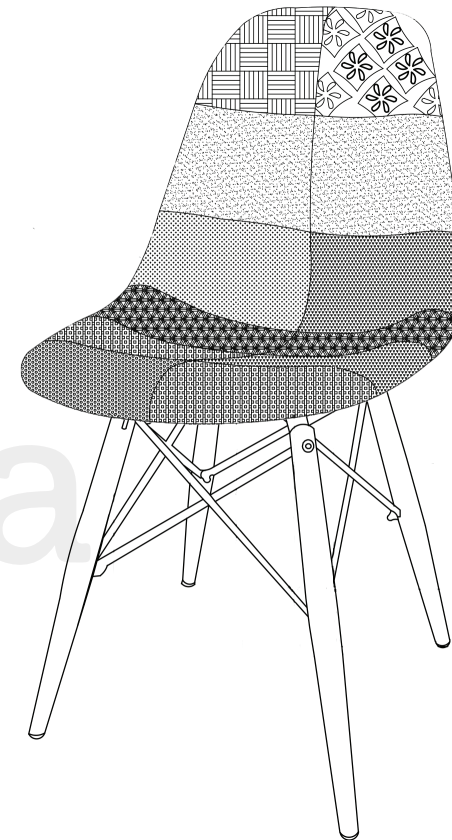
ASSEMBLY INSTRUCTIONS

mocka

1



2



Attach the chair seat [1] to the chair legs [2] using 4x washers (A) and 4x screws (B) as shown. Tighten with the allen key (C).

That's it, enjoy!