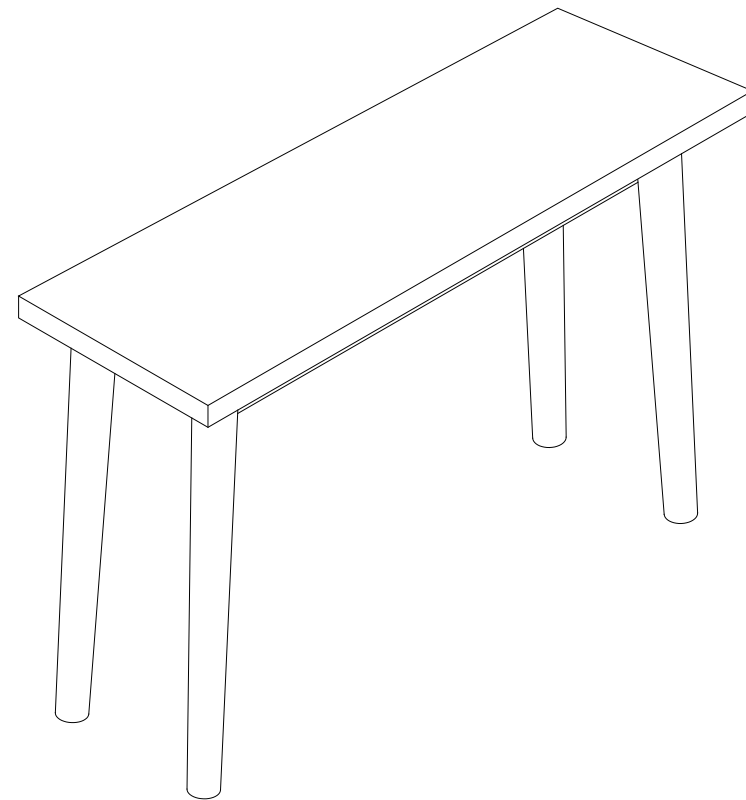
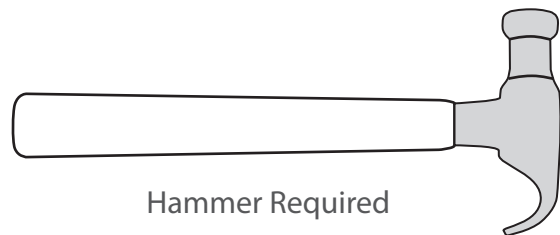
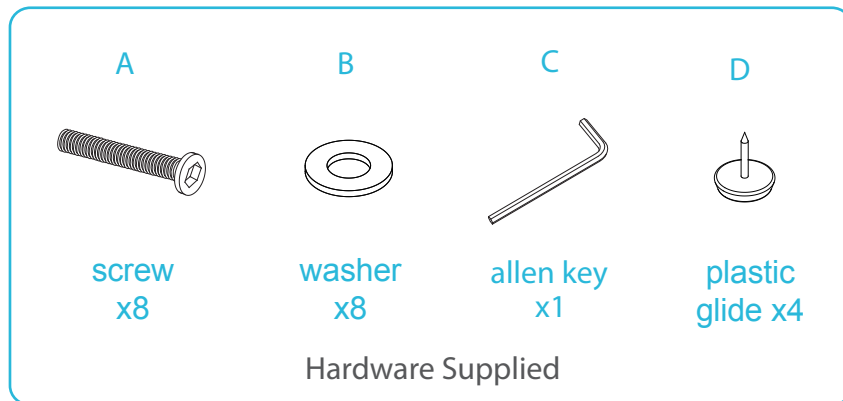


Nava Console Table

Assembly Instructions

mocka

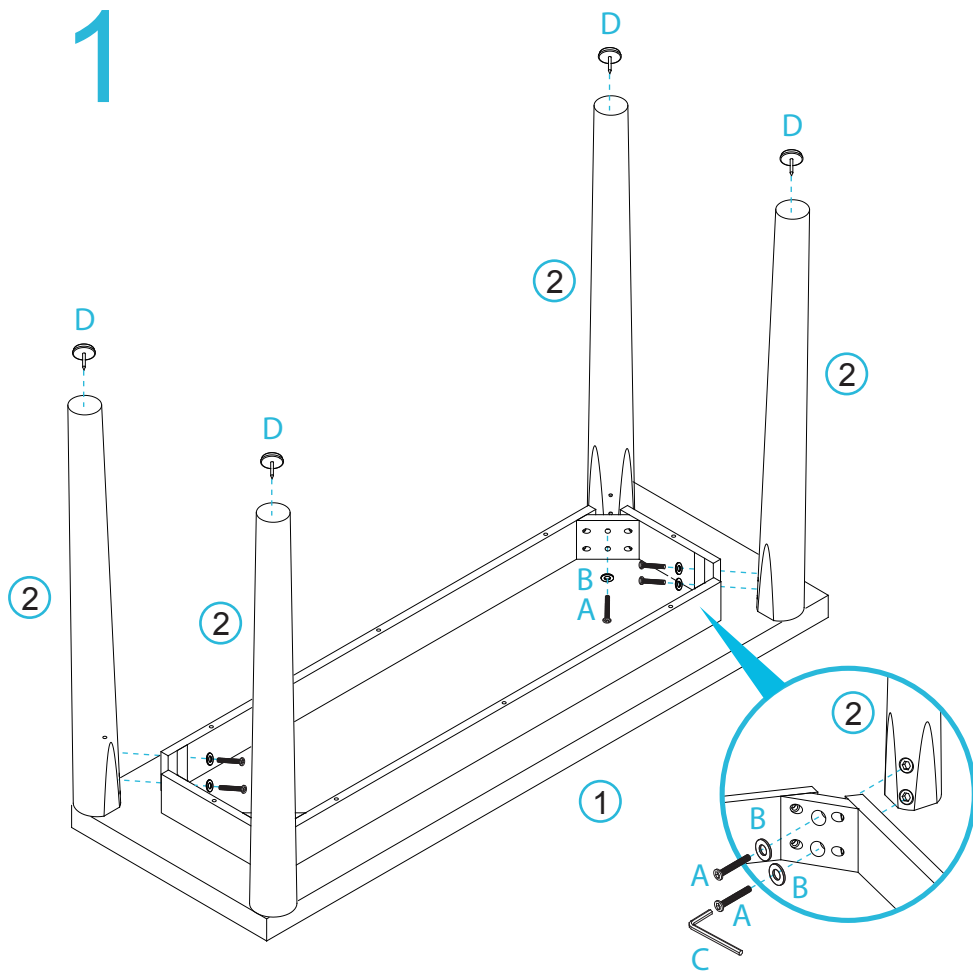
Thank you for your purchase.
Please follow the instructions below for correct assembly.



Nava Console Table

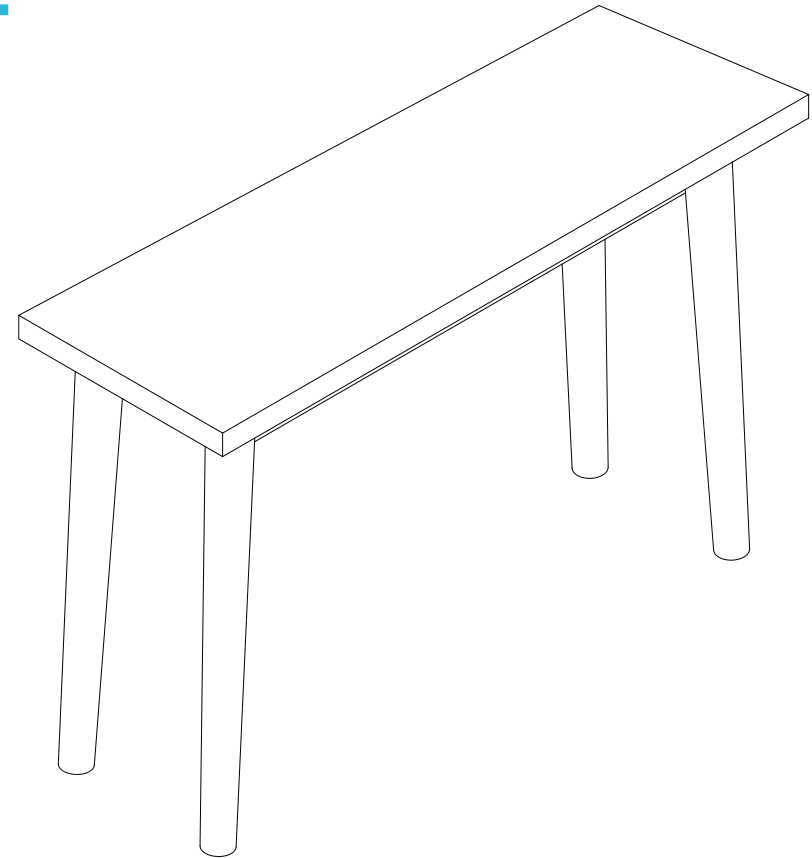
Assembly Instructions

mocka



Attach 4x legs [2] to the underside of the tabletop [1] using 8x screws (A) and 8x washers (B) as shown. Tighten with the allen key (C). Attach 4x plastic glides (D) to the legs using a hammer.

2



Carefully turn the table over onto its legs, ensuring that it is balanced and steady. You're done, enjoy!